

## GQ-8H-10E Series 8mm Small Push Button Switch

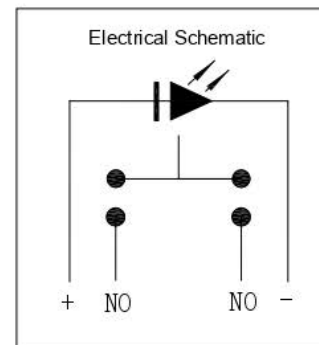
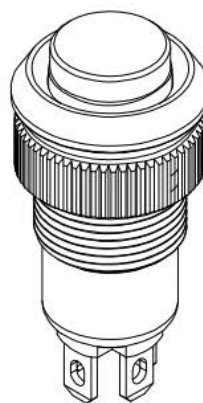
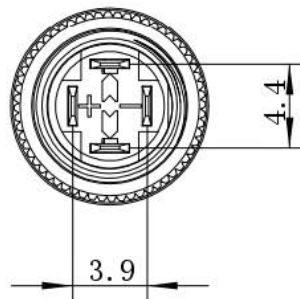
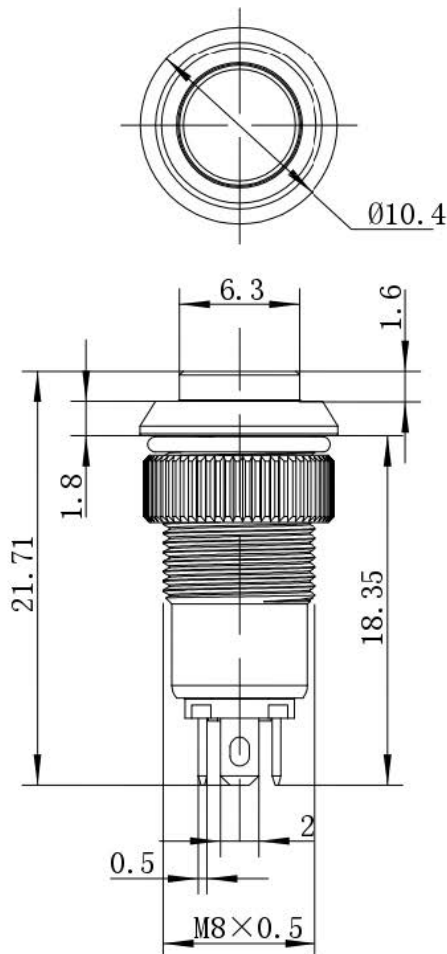
Part#GQ-8H-10E

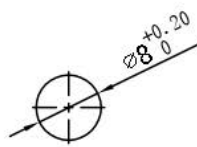
GQ-8H-10E 8mm small push button switch, high button, SPST 2pin momentary/latching with ring illuminated.

Function: Momentary/Latching, SPST, 1NO; Contact Rating: 1A 250VAC, 3A 250VAC, 2A 24VDC, 5A 12VDC.



Rating:	3A 250VAC	Contact Resistance:	50mΩ max
Electrical Life:	50,000 Cycles	Function: (x)	Momentary (-M) Latching (-L)
Dielectric strength:	2,000VAC 1 minute	Operating Temperature:	-25°C~+85°C
Insulation Resistance:	1,000mΩ min	Panel cutout:	12mm
LED voltage: (any colour)	3V, 6V, 12V, 24V, 48V, 110V, 220V	Waterproof Grade:	IP65
Contact Configuration:	Single Pole, Double Pole	OEM or ODM:	Available



  
**PANEL CUTOUT**  
**MAX.PANEL THICKNESS**  
**7mm**