

COMPACT ROTARY DIP SWITCH 7.2x7.2 Size, Height: 2.9mm

NEW

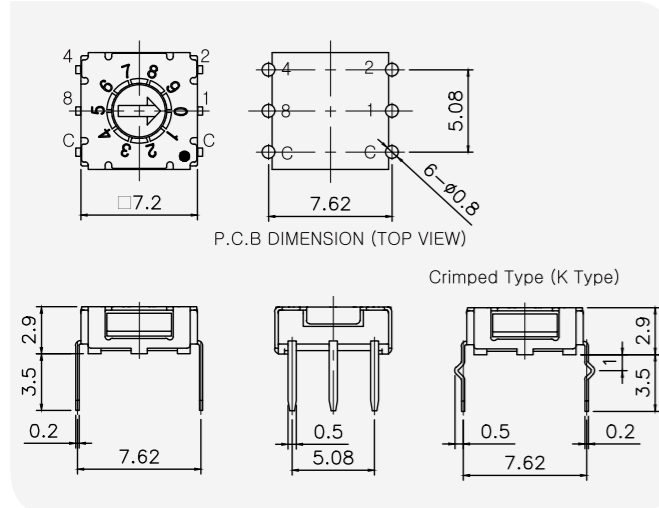


General Specification

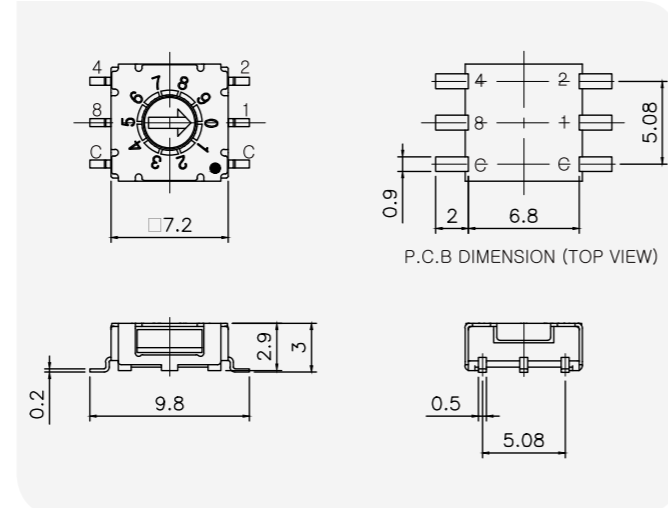
- Rating :** 100mA, DC 5V (Switching)
100mA, DC 50V (None-Switching)
- Contact Resistance :** 100mΩ Max.
- Insulation Resistance :** 100MΩ Min. at DC 100V
- Operating Force :** 200gf Max.
- Life Cycle :** 25,000 steps
- Sealing :** IP67 (Dust & water proof)

GENERAL DIMENSION

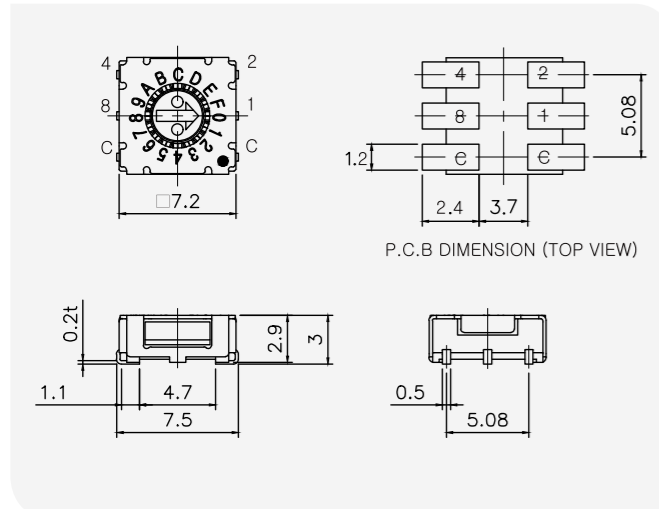
Through Hole Type Layout



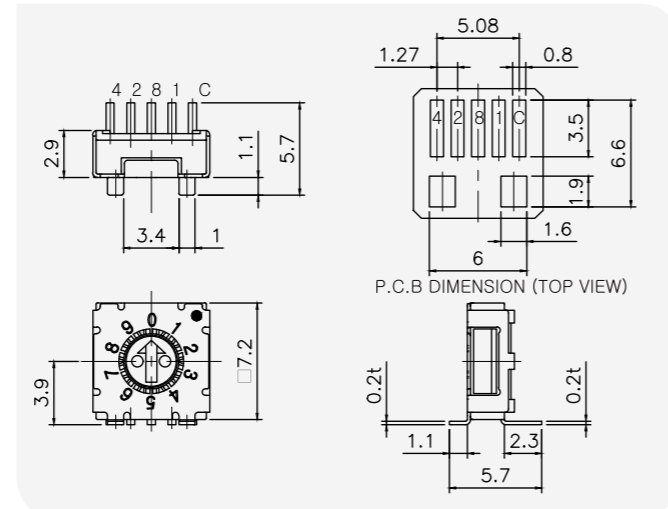
SMD Gull Wing Type Layout



SMD J-Hook Type Layout



Angle Half pitch SMD Type Layout (Ter' 5)



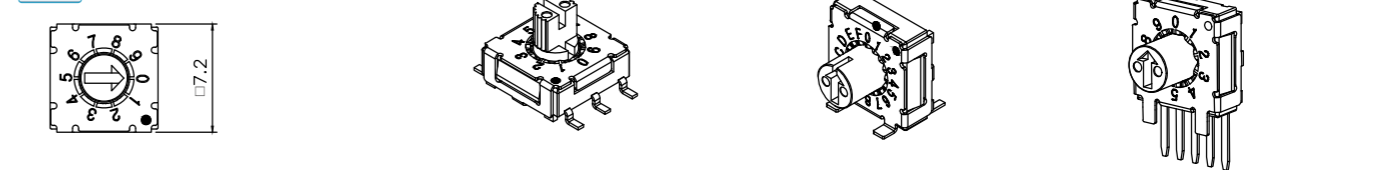
COMPACT ROTARY DIP SWITCH 7.2x7.2 Size, Height: 2.9mm

HOW TO ORDER

GS	D	R	-	10	S	TR
Type	Actuator	Code		Position	Terminal	Packing
GS 7.2 X 7.2 Size Height 2.9mm	D Arrow (Height = 0mm) M Slotted spindle (Height = 3mm) E Cross (Height = 0mm) P Arrow (Height = 3mm)	R Real Code C Complement Code G Gray code <small>*Other codes are available upon the request.</small>		04 04 Position 10 10 Position 16 16 Position	- Through-Hole (Ter' 3 X 3) S SMD Gull Wing K Crimped J J SMD M Angle Half Pitch (Through Hole) MS Angle Half Pitch SMD (Ter'5)	- Tube Packing TR Reel Packing

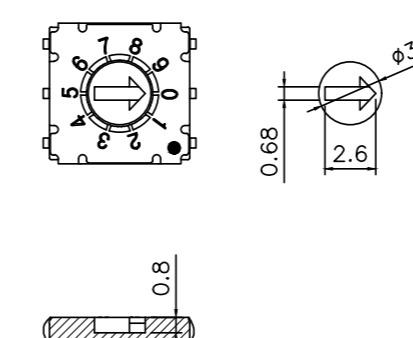
1. Type

GS Type

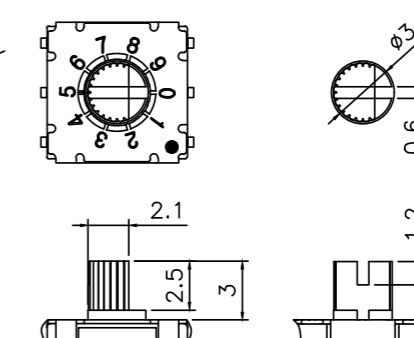


2. Actuators

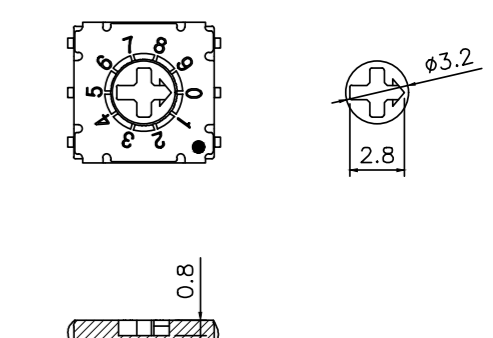
D Arrow (Height = 0mm)



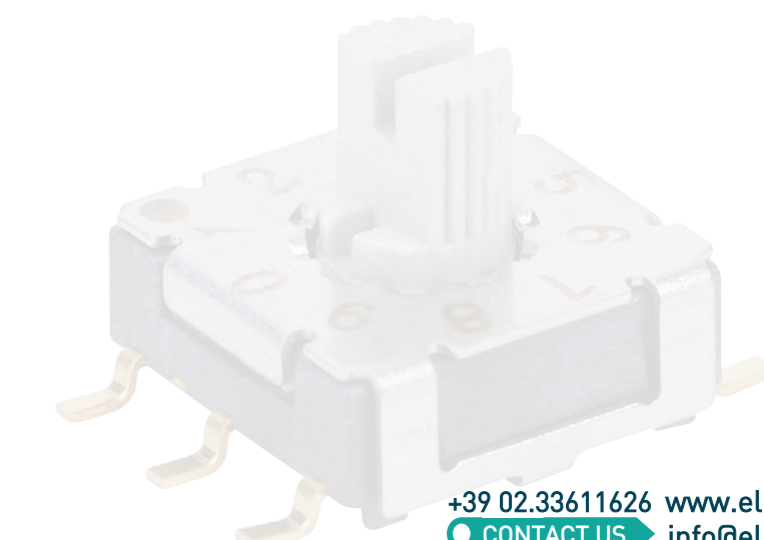
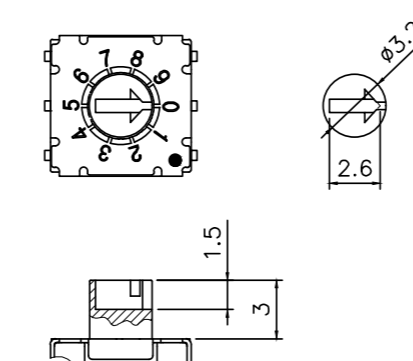
M Slotted Spindle Height = 3mm



E Cross (Height = 0mm)



P Arrow (Height = 3mm)



ROTARY DIP - G
SLIDE SW
DIP SW
PUSH SW
TACT SW
LED MODULE

ROTARY DIP - G
SLIDE SW
DIP SW
PUSH SW
TACT SW
LED MODULE

COMPACT ROTARY DIP SWITCH 7.2x7.2 Size, Height: 2.9mm

3. Code & Position

R — **10**

R Real Code			C Complement Code			G Gray Code		
04 Position	10 Position	16 Position	04 Position	10 Position	16 Position	04 Position	10 Position	16 Position
C 1 2	C 1 2 4 8	C 1 2 4 8	C 1 2	C 1 2 4 8	C 1 2 4 8	C 1 2 4 8	C 1 2 4 8	C 1 2 4 8
0 0 0	0 0 0 0	0 0 0 0	0 0 0	0 0 0 0	0 0 0 0	0 0 0 0	0 0 0 0	0 0 0 0
1 1 1	1 1 1 1	1 1 1 1	1 1 1	1 1 1 1	1 1 1 1	1 1 1 1	1 1 1 1	1 1 1 1
2 2 2	2 2 2 2	2 2 2 2	2 2 2	2 2 2 2	2 2 2 2	2 2 2 2	2 2 2 2	2 2 2 2
3 3 3	3 3 3 3	3 3 3 3	3 3 3	3 3 3 3	3 3 3 3	3 3 3 3	3 3 3 3	3 3 3 3
4 4 4	4 4 4 4	4 4 4 4	4 4 4	4 4 4 4	4 4 4 4	4 4 4 4	4 4 4 4	4 4 4 4
5 5 5	5 5 5 5	5 5 5 5	5 5 5	5 5 5 5	5 5 5 5	5 5 5 5	5 5 5 5	5 5 5 5
6 6 6	6 6 6 6	6 6 6 6	6 6 6	6 6 6 6	6 6 6 6	6 6 6 6	6 6 6 6	6 6 6 6
7 7 7	7 7 7 7	7 7 7 7	7 7 7	7 7 7 7	7 7 7 7	7 7 7 7	7 7 7 7	7 7 7 7
8 8 8	8 8 8 8	8 8 8 8	8 8 8	8 8 8 8	8 8 8 8	8 8 8 8	8 8 8 8	8 8 8 8
9 9 9	9 9 9 9	9 9 9 9	9 9 9	9 9 9 9	9 9 9 9	9 9 9 9	9 9 9 9	9 9 9 9
10 10	10 10 10	10 10 10	10 10	10 10 10	10 10 10	10 10 10	10 10 10	10 10 10
11 11	11 11 11	11 11 11	11 11	11 11 11	11 11 11	11 11 11	11 11 11	11 11 11
12 12	12 12 12	12 12 12	12 12	12 12 12	12 12 12	12 12 12	12 12 12	12 12 12
13 13	13 13 13	13 13 13	13 13	13 13 13	13 13 13	13 13 13	13 13 13	13 13 13
14 14	14 14 14	14 14 14	14 14	14 14 14	14 14 14	14 14 14	14 14 14	14 14 14
15 15	15 15 15	15 15 15	15 15	15 15 15	15 15 15	15 15 15	15 15 15	15 15 15
						A	A	A
						B	B	B
						C	C	C
						D	D	D
						E	E	E
						F	F	F

* Special codes are available upon the request.

4. Terminals

T	K	S
Through-Hole (Ter' 3x3)	Crimped (Ter' 3x3)	SMD (Ter' 3x3)
J - Hook SMD (Ter' 3x3)	M Angle Half pitch (Through Hole Ter'5)	MS Angle Half pitch SMD (Ter' 5)

5. Packing

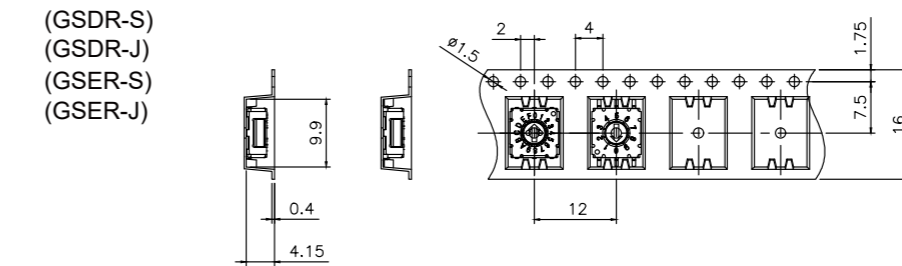
T Tube Packing (Q'ty: 70 pcs / Tube) **TR**

Through-Hole Type & Crimped Type	M Type Actuator (Height : 3mm)	SMD Type	P Type Actuator 5Pin Angle SMD Type(Height : 3mm)

Reel Packing (See Page 13)

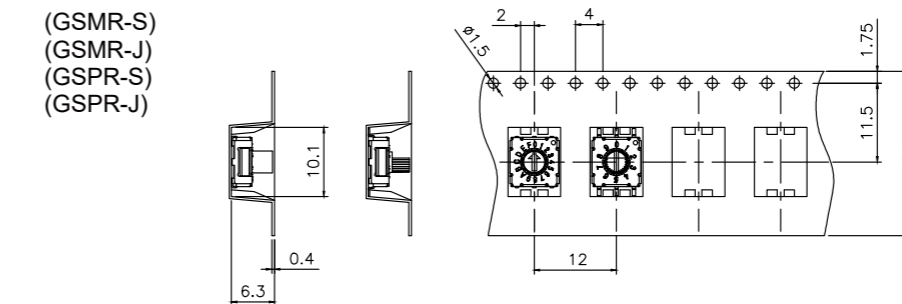
COMPACT ROTARY DIP SWITCH 7.2x7.2 Size, Height: 2.9mm Tape & Reel Packing

1. 'D' & 'E' Type Actuator with SMD / J Terminal



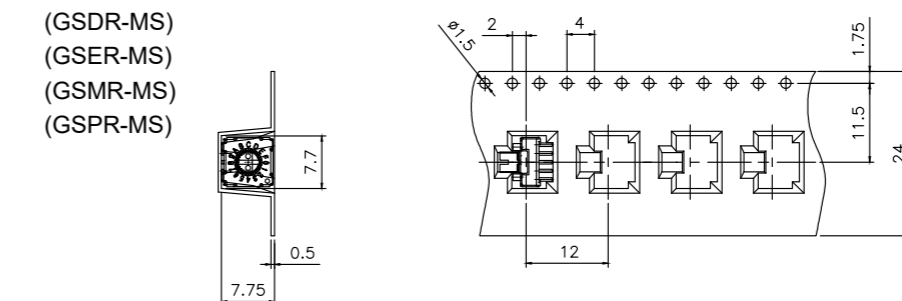
Units(pcs)
1,300

2. 'M' & 'P' Type Actuator with SMD / J Terminal

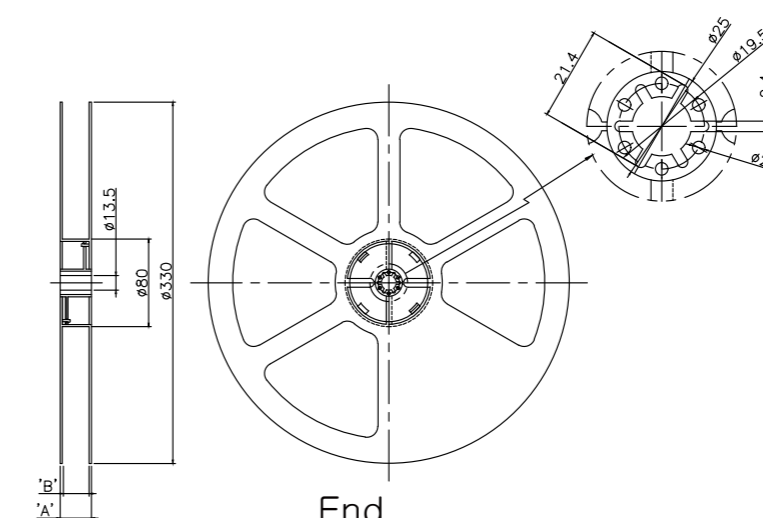


Units(pcs)
800

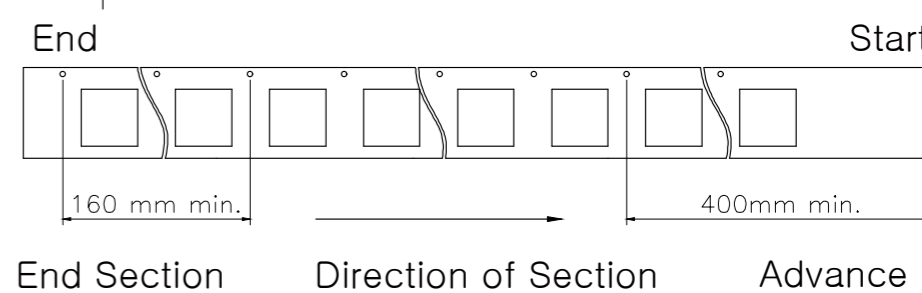
3. 'M' & 'P' Type Actuator with Angle Half pitch SMD (Ter' 5)



Units(pcs)
580



Actuator	A	B
1. D&E Type	22.4	16.4
2. M&P Type	30.4	24.4



ROTARY DIP - G
SLIDE SW
DIP SW
PUSH SW - SP
TACT SW
LED MODULE
www.sunngm.com

ROTARY DIP - G
SLIDE SW
DIP SW
PUSH SW
TACT SW
LED MODULE
www.sunngm.com