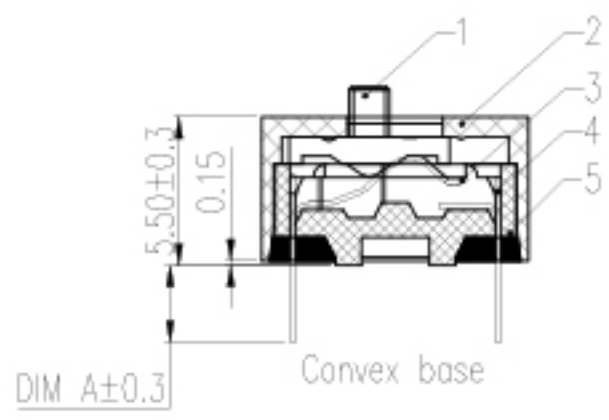
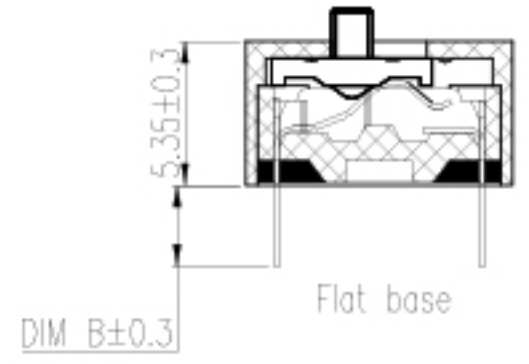
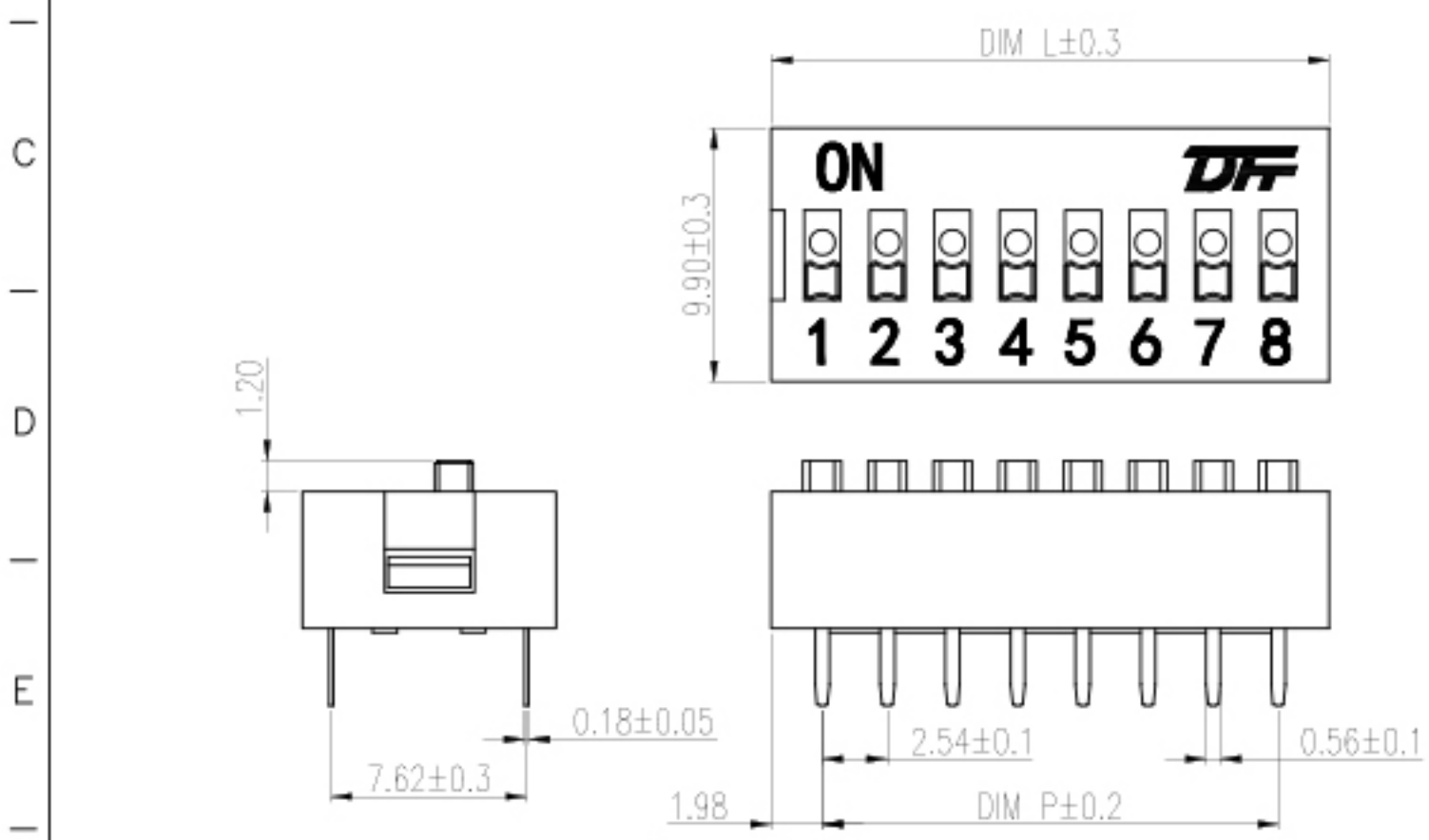


REV	ECN	CONTENT	CHECK	DATE
V0.0		ORIGINAL	YZG	2016.09.15
V1.0		arrange the drawing	LJ	2019.09.21
V2.0		arrange the drawing	WL	2020.06.03

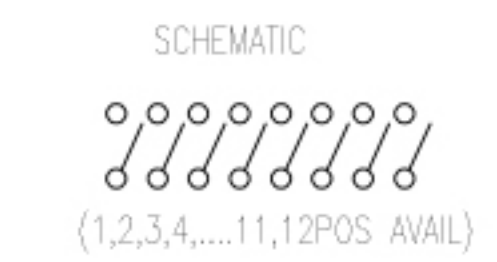
- SPECIFICATION:**
- Rating:
 - Switching: 25mA, 24VDC
 - Non-Switching: 100mA, 50VDC
 - Contact Resistance:
 - Initial: 50mΩ max
 - After Life Test: 100mΩ max
 - Insulation Resistance: 100MΩ min/500 VDC
 - Withstand Voltage: 300VAC for 1 minute
 - Operation Force: 1000g max
 - Travel: 2.0mm
 - Mechanical Life: min 2000 cycles
 - Operation Temperature: -40℃~+85℃
 - Storage Temperature: -40℃~+85℃
 - RoHS Compliance



SOLDERING INFORMATION:
 Manual Soldering: 30W iron, 320±5℃, 3S max
 Wave Soldering: 260±5℃, 5S max

Keep in "off" position during soldering

HOW TO ORDER
 KF1001-XXP-XX X X - XXX-XXX
 Series: KF1001
 Positions: XX
 Color: X
 Special number: XXX-XXX
 L: Long pin
 S: Short pin
 G: Convex base
 F: Flat base



POLES	DIM P	DIM L
1	/	3.96
2	2.54	6.50
3	5.08	9.04
4	7.62	11.58
5	10.16	14.12
6	12.70	16.66
7	15.24	19.20
8	17.78	21.74
9	20.32	24.28
10	22.86	26.82
11	25.40	29.36
12	27.94	31.90

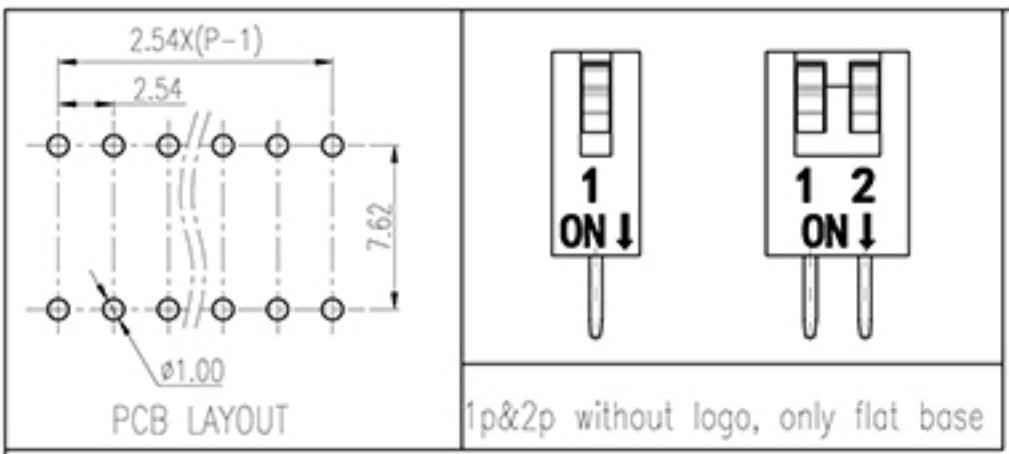
ITEM	NAME OF PART	NO. OF PART	Q'TY	MATERIAL	NOTE
5	Base	XX	1	Thermoplastic	UL94V-0
4	Pin2	XX	P	Coppo Alloy	Gold Plated
3	Pin1	XX	P	Coppo Alloy	Gold Plated
2	Housing	XX	1	Thermoplastic	UL94V-0
1	Actuator	XX	P	Thermoplastic	UL94V-0

General tolerance in mm						radii and chamfers			shorter angle side			≡		— //	
over 0.5 to 3	over 3 to 6	over 6 to 30	over 30 to 120	over 120 to 400	over 400 to 1000	over 0.5 to 3	over 3 to 6	over 6	up to 10	over 10 to 50	over 50 to 120	all	over 0 to 100	over 100 to 150	over 150
±0.15	±0.2	±0.25	±0.3	±0.5	±0.8	±0.2	±0.5	±1.0	±1°	±30'	±20'	0.5	0.2	0.3	0.5

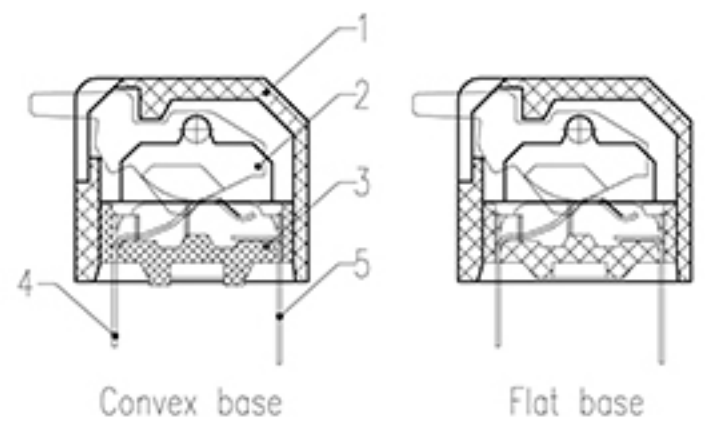
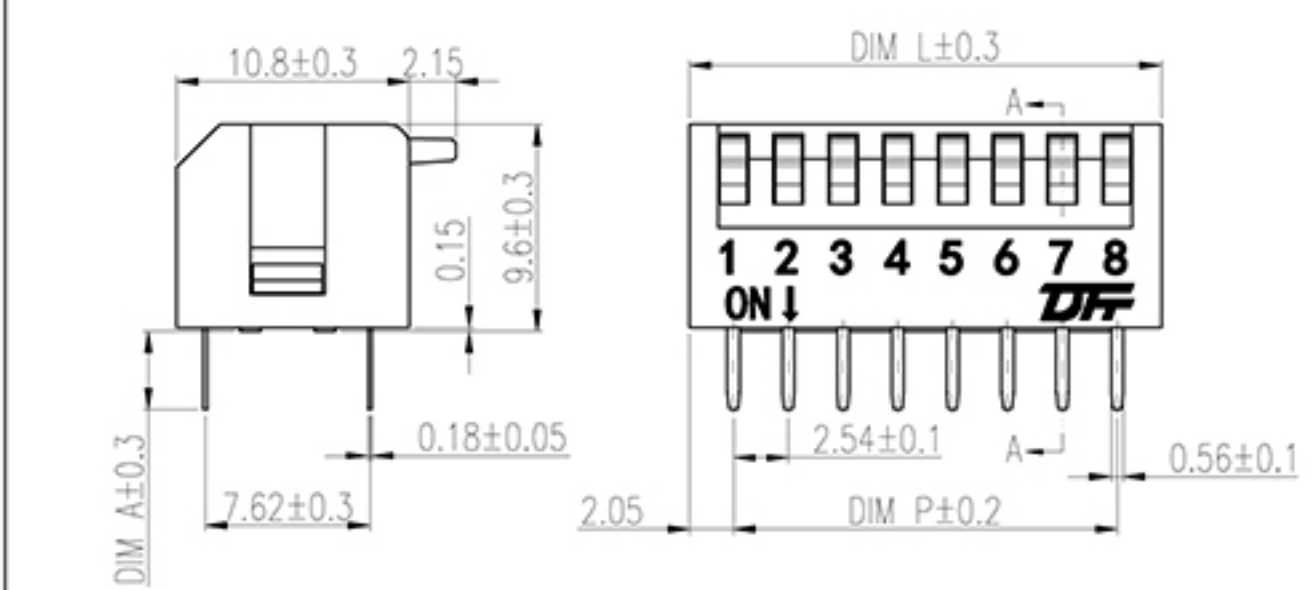
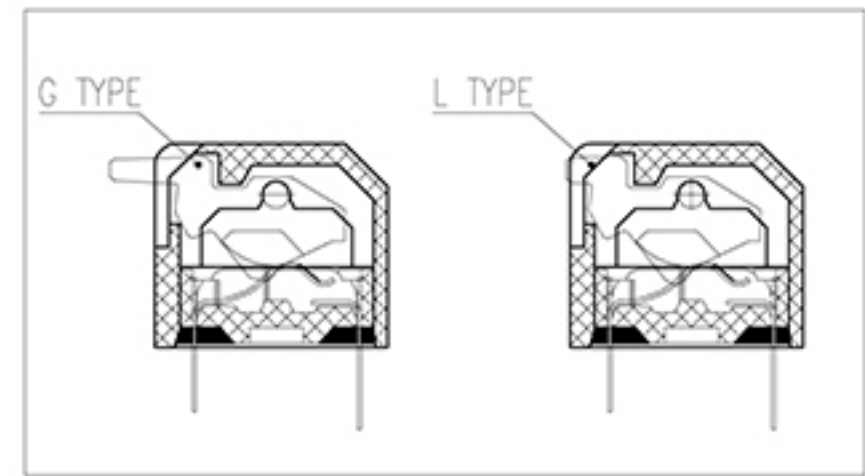
APP.	DATE	NAME	KF1001-XXP-XXXX-DFT-XXX		
CHK.	DATE	DWGNO.	W20000012		
DWG.	DATE	UNITS	SCALE	SHEET	PROJECTION-METHOD
		MM	1:1	1/1	☉

DF 慈溪市凯峰电子有限公司
 CIXI KAIFENG ELECTRONICS CO., LTD

REV	ECN	CONTENT	CHECK	DATE
V0.0		ORIGINAL	LJ	2019.01.13
V1.0		arrange the drawing	WL	2020.06.03



DIM A	Long Pin
Convex base	3.65
Flat base	3.80

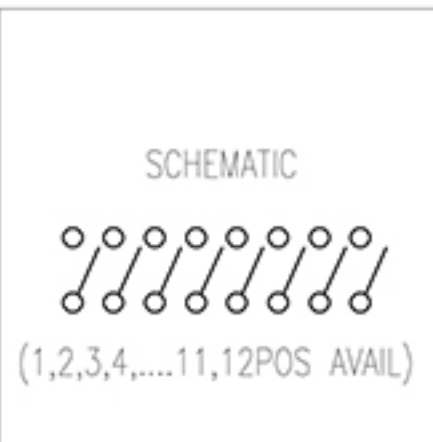


- SPECIFICATION:**
- Rating:
 - Switching: 25mA,24VDC
 - Non-Switching: 100mA,50VDC
 - Contact Resistance:
 - Initial: 50mΩmax
 - After Life Test: 100mΩ max
 - Insulation Resistance: 100MΩ min/500 VDC
 - Withstand Voltage: 300VAC for 1 minute
 - Operation Force: 1000g max
 - Mechanical Life: min 2000 cycles
 - Operation Temperature: -40℃~+85℃
 - Storage Temperature: -40℃~+85℃
 - RoHS Compliance

SOLDERING INFORMATION:
 Manual Soldering: 30W iron, 320±5℃, 3S max
 Wave Soldering: 260±5℃, 5S max

Keep in "off" position during soldering

HOW TO ORDER
 KF1002-XXP-XX X X X-XXX-XXXX
 Series Positions Color: R3:Red B0:Blue G:Convex base F:Flat base
 Special number G:Extended actuator L:Low actuator L:Long pin



POLES	DIM P	DIM L
1	/	4.11
2	2.54	6.65
3	5.08	9.19
4	7.62	11.73
5	10.16	14.27
6	12.70	16.81
7	15.24	19.35
8	17.78	21.89
9	20.32	24.43
10	22.86	26.97
11	25.40	29.51
12	27.94	32.05

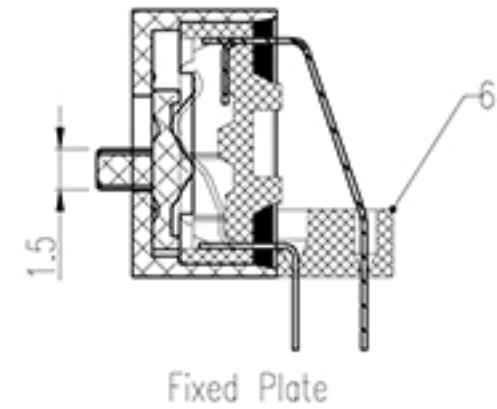
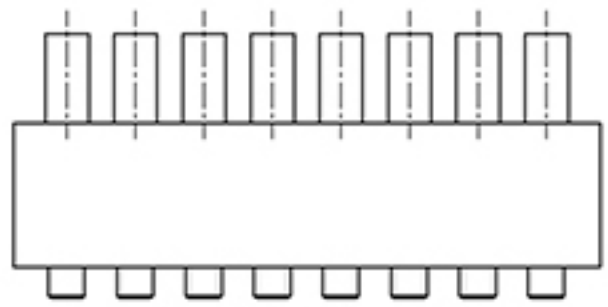
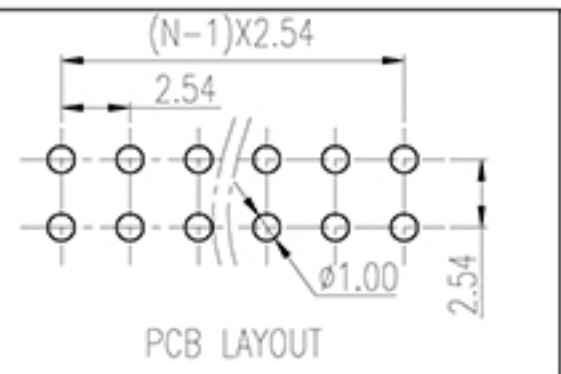
5	Pin2	XX	P	Coppo Alloy	Gold Plated
4	Pin1	XX	P	Coppo Alloy	Gold Plated
3	Base	XX	1	Thermoplastic	UL94V-0
2	Actuator	XX	P	Thermoplastic	UL94V-0
1	Housing	XX	1	Thermoplastic	UL94V-0
ITEM	NAME OF PART	NO. OF PART	Q'TY	MATERIAL	NOTE

General tolerance in mm						radii and chamfers			shorter angle side			≡		— //	
over 0.5 to 3	over 3 to 6	over 6 to 30	over 30 to 120	over 120 to 400	over 400 to 1000	over 0.5 to 3	over 3 to 6	over 6	up to 10	over 10 to 50	over 50 to 120	all	over 0 to 100	over 100 to 150	over 150
±0.15	±0.2	±0.25	±0.3	±0.5	±0.8	±0.2	±0.5	±1.0	±1°	±30°	±20°	0.5	0.2	0.3	0.5

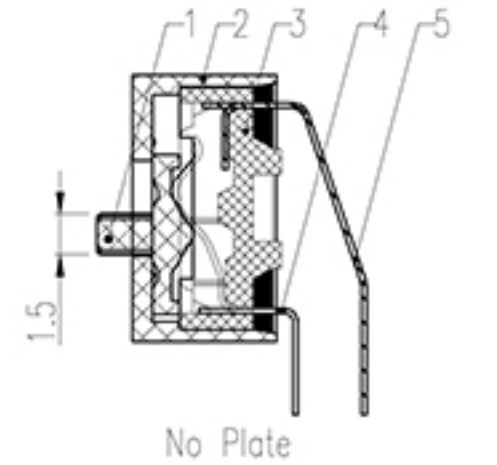
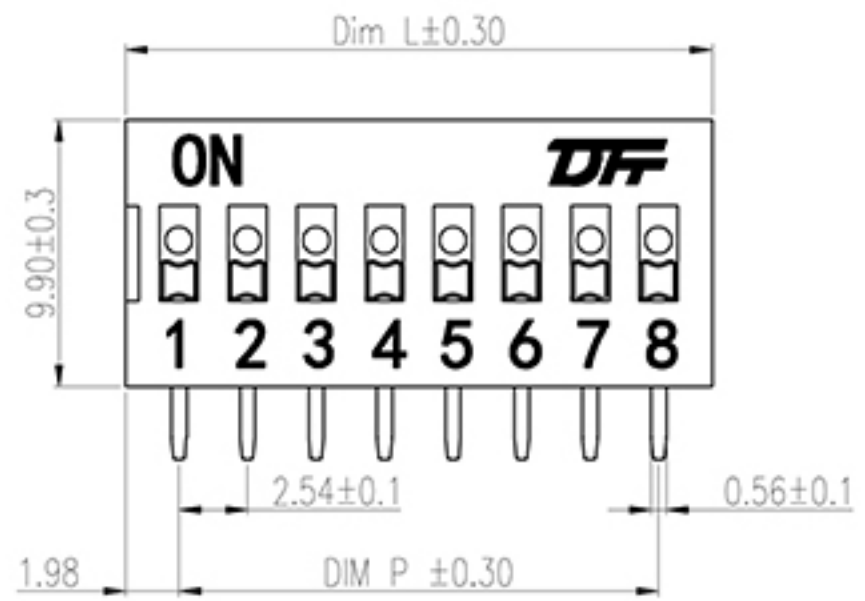
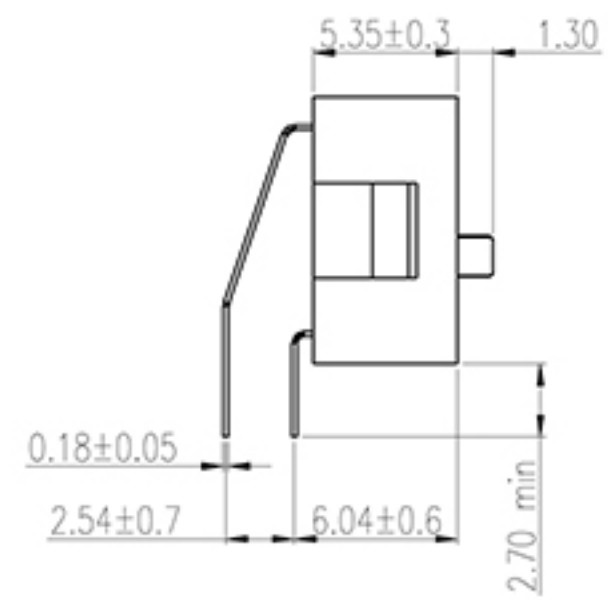
APP.	DATE	NAME	KF1002-XXP-XXXLX-DFT-XXX
CHK.	DATE		
DWG.	DATE	DWGNO.	W20000022
UNITS	MM	SCALE	1:1
SHEET	1/1	PROJECTION-METHOD	☉

DF 慈溪市凯峰电子有限公司
 CIXI KAIFENG ELECTRONICS CO., LTD

REV	ECN	CONTENT	CHECK	DATE
V0.0		ORIGINAL	WL	2019.09.07
V1.0		arrange the drawing	WL	2020.06.03



- SPECIFICATION:**
- Rating:
 - Switching: 25mA, 24VDC
 - Non-Switching: 100mA, 50VDC
 - Contact Resistance:
 - Initial: 50mΩ max
 - After Life Test: 100mΩ max
 - Insulation Resistance: 100MΩ min/500 VDC
 - Withstand Voltage: 500VAC for 1 minute
 - Operation Force: 1000g max
 - Travel: 2.0mm
 - Mechanical Life: min 2000 cycles
 - Operation Temperature: -40°C ~ +85°C
 - Storage Temperature: -40°C ~ +85°C
 - RoHS Compliance



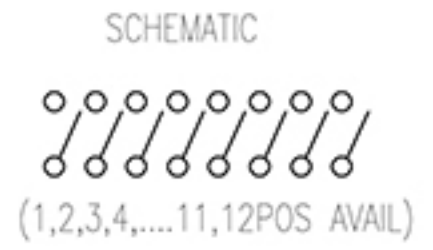
SOLDERING INFORMATION:
 Manual Soldering: 30W iron, 320±5°C, 3S max
 Wave Soldering: 260±5°C, 5S max

Keep in "off" position during soldering

ITEM	NAME OF PART	NO. OF PART	Q'TY	MATERIAL	NOTE
6	HOUSING2	\	1	THERMOPLASTIC	UL94V-0
5	PIN2	\	P	COPPY ALLOY	Au plated
4	PIN1	\	P	COPPY ALLOY	Au plated
3	BASE	\	1	THERMOPLASTIC	UL94V-0
2	HOUSING	\	1	THERMOPLASTIC	UL94V-0
1	ACTUATOR	\	P	NYLON	UL94V-0

HOW TO ORDER
 KF1003 X-XXP-XX - XXX-XXX

Series: Blank: no plate, G: Fixed Plate
 Color: R3: Red, B0: Blue
 Special number

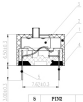
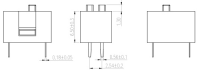


Poles	Dim P	Dim L
1P	/	3.96
2P	2.54	6.50
3P	5.08	9.04
4P	7.62	11.58
5P	10.16	14.12
6P	12.70	16.66
7P	15.24	19.20
8P	17.78	21.74
9P	20.32	24.28
10P	22.86	26.82
11P	25.40	29.36
12P	27.94	31.90

General tolerance in mm					radii and chamfers			shorter angle side			≡		— //	
over 0.5 to 3	over 3 to 6	over 6 to 30	over 30 to 120	over 120 to 400	over 0.5 to 3	over 3 to 6	over 6	up to 10	over 10 to 50	over 50 to 120	all	over 0 to 100	over 100 to 150	over 150
±0.15	±0.2	±0.25	±0.3	±0.5	±0.2	±0.5	±1.0	±1°	±30°	±20°	0.5	0.2	0.3	0.5

APP.	DATE	NAME	KF1003X-XXP-XX-DFT-XXX		
CHK.	DATE	DWGNO.	W20000032		
DWG.	DATE	SHEET	1/1	PROJECTION-METHOD	☉
UNITS	MM	SCALE	1:1		

DF 慈溪市凯峰电子有限公司
 CIXI KAIFENG ELECTRONICS CO., LTD



REV	1.01	CONTENT	CHECK	DATE
V.O.D		ORIGINAL	FZY	2016.10.07
V.I.D		scan the drawing	W.	2016.12.24

- SPECIFICATION**
- Rating
 - Switching: 25mA/24VDC
 - Non-Switching: 100mA/50VDC
 - Contact Resistance
 - Initial: 50mΩmax
 - After (2h Test): 100mΩ max
 - Insulation Resistance: 100MΩ min/500 VDC
 - Withstand Voltage: 300VAC for 1 minute
 - Operation Force: 1000g max
 - Travel: 2.0mm
 - Mechanical Lifetime: 2000 cycles
 - Operation Temperature: -5°C~+85°C
 - Storage Temperature: -40°C~+125°C
 - RoHS Compliance

SOLDERING INFORMATION

Manual Soldering: 30W iron, 260±5°C, 3s max
 Wave Soldering: 260±5°C, 3s max

Keep in "off" position during soldering

HOW TO ORDER
 KF1004-02P-XX X X - XXX-XXX

Series: KF1004-02P-XX
 Position: X
 Color: X
 Special number: XXX-XXX

L: Long pin
 S: Short pin

G: Convex base
 F: Flat base

R: Light Red



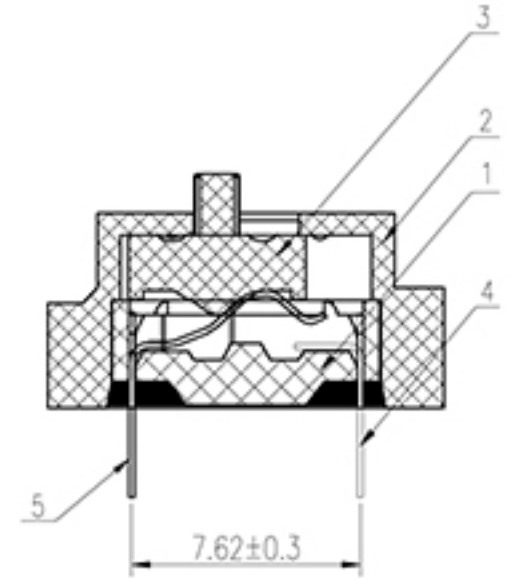
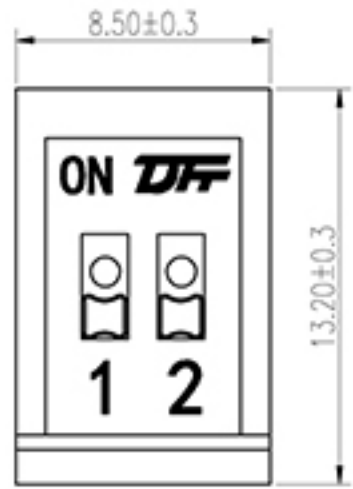
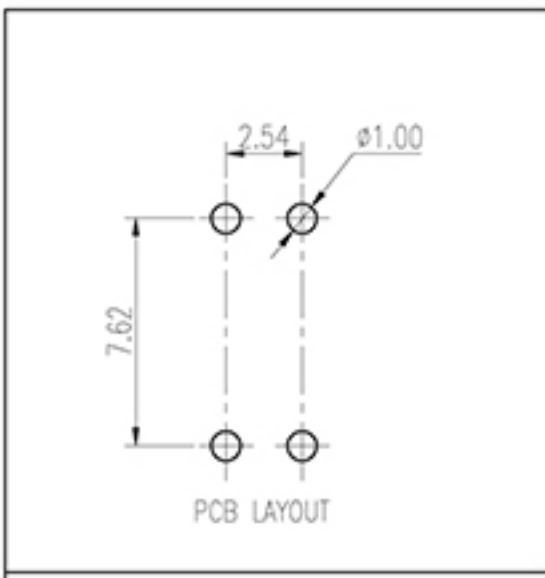
6	PIN6	/	2	Copper Alloy	Gold Plated
4	PIN4	/	2	Copper Alloy	Gold Plated
3	Actuator	/	2	Thermoplastic	UL94V-0
2	Revoling	/	1	Thermoplastic	UL94V-0
1	Base	/	1	Thermoplastic	UL94V-0

APP	DATE	NAME	KF1004-02P-RSFS-DP1-D18		
DRAW	DATE	DRWG.	K0000043		
UNITS	MM	SCALE	1:1	DATE	1/1
					PROJECTION-MCH00

General tolerances in mm										Lead and chamfers				Character angle mm			
										L		C		R		S	
0.15	0.2	0.3	0.4	0.5	0.6	0.8	1.0	1.2	1.5	0.2	0.4	0.2	0.4	0.2	0.4	0.2	0.4
0.02	0.03	0.04	0.05	0.06	0.08	0.10	0.12	0.15	0.20	0.1	0.2	0.1	0.2	0.1	0.2	0.1	0.2

DF 慈溪市凯峰电子有限公司
 CIXI KAIPENG ELECTRONICS CO., LTD

REV	ECN	CONTENT	CHECK	DATE
V0.0		ORIGINAL	LJ	2017.03.12
V1.0		arrange the drawing	ZY	2019.03.04
V2.0		arrange the drawing	WL	2020.05.25



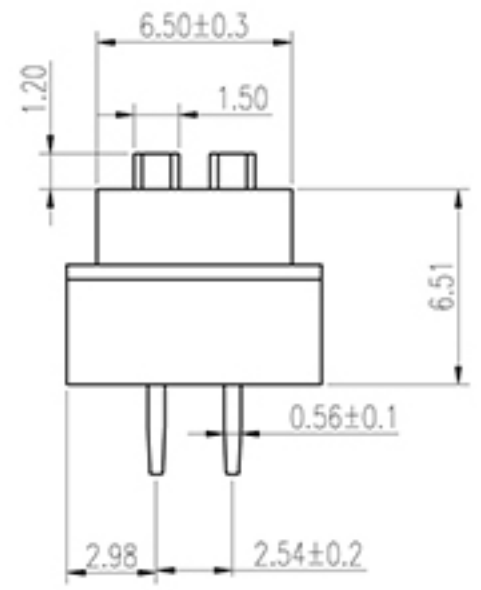
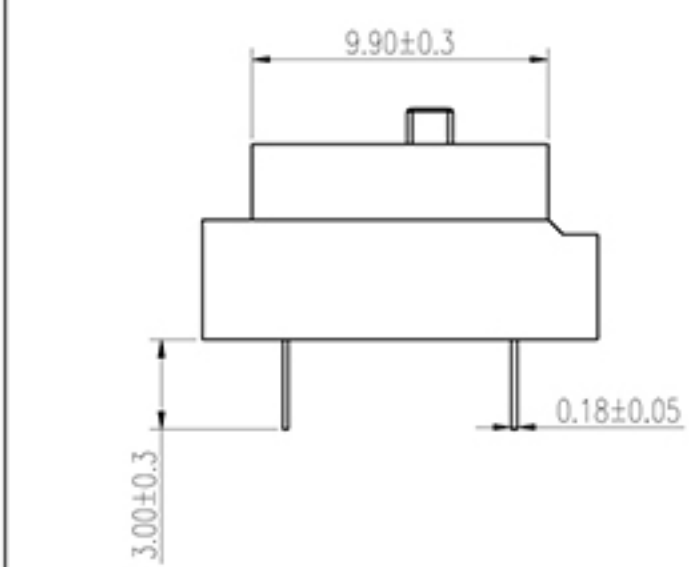
SPECIFICATION:

- Rating:
 - Switching: 25mA,24VDC
 - Non-Switching: 100mA,50VDC
- Contact Resistance:
 - Initial: 50mΩmax
 - After Life Test: 100mΩ max
- Insulation Resistant: 100MΩ min/500 VDC
- Withstand Voltage: 300VAC for 1 minute
- Operation Force: 1000g max
- Travel: 2.0mm
- Mechanical Life: min 2000 cycles
- Operation Temperature: -40℃~+85℃
- Storage Temperature: -40℃~+85℃
- RoHS Compliance

SOLDERING INFORMATION:

Manual Soldering: 30W iron, 320±5℃, 3S max
 Wave Soldering: 260±5℃, 5S max

Keep in "off" position during soldering



HOW TO ORDER

KF1005 - 02P - R3 - F S - DFT-01B

Series Positions R3:Red F:Flat base S:Short pin Special number

SCHEMATIC(TYP.)

ITEM	NAME OF PART	NO. OF PART	Q'TY	MATERIAL	NOTE
5	PIN2	/	2	Coppo Alloy	Gold Plated
4	PIN1	/	2	Coppo Alloy	Gold Plated
3	Actuator	/	2	Thermoplastic	UL94V-0
2	Housing	/	1	Thermoplastic	UL94V-0
1	Base	/	1	Thermoplastic	UL94V-0

General tolerance in mm						radii and chamfers			shorter angle side			≡		— //	
over 0.5 to 3	over 3 to 6	over 6 to 30	over 30 to 120	over 120 to 400	over 400 to 1000	over 0.5 to 3	over 3 to 6	over 6 to 10	up to 10	over 10 to 50	over 50 to 120	all	over 0 to 100	over 100 to 150	over 150
±0.15	±0.2	±0.25	±0.3	±0.5	±0.8	±0.2	±0.5	±1.0	±1°	±30'	±20'	0.5	0.2	0.3	0.5

APP.	DATE	NAME		KF1005-02P-R3FS-DFT-01B	
CHK.	DATE	DWGNO.		W20000052	
DWG.	DATE	SHEET	1/1	PROJECTION-METHOD	☉
UNITS	MM	SCALE	1:1		

DF 慈溪市凯峰电子有限公司
 CIXI KAIFENG ELECTRONICS CO., LTD