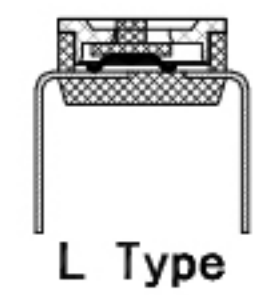
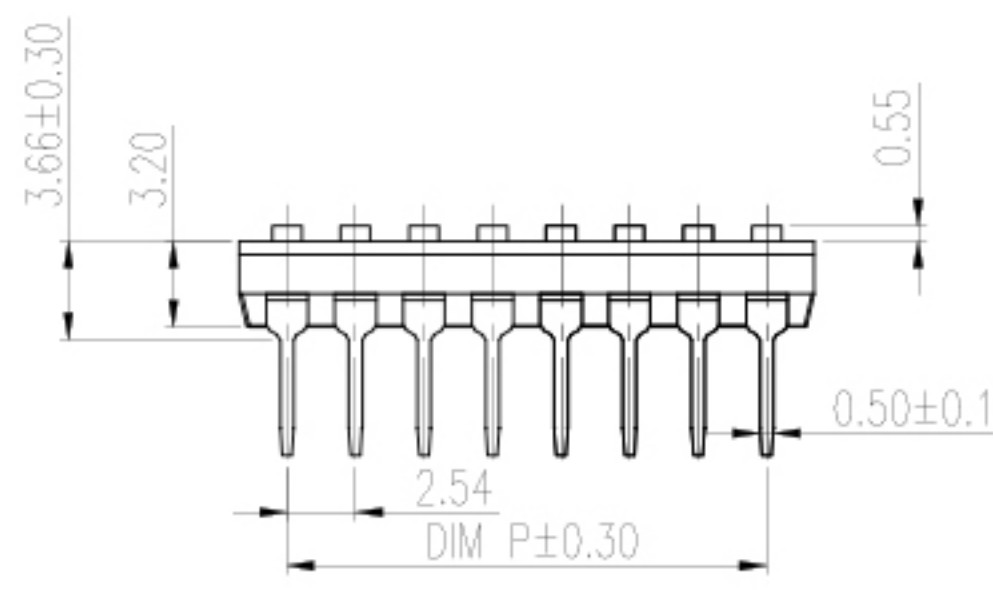
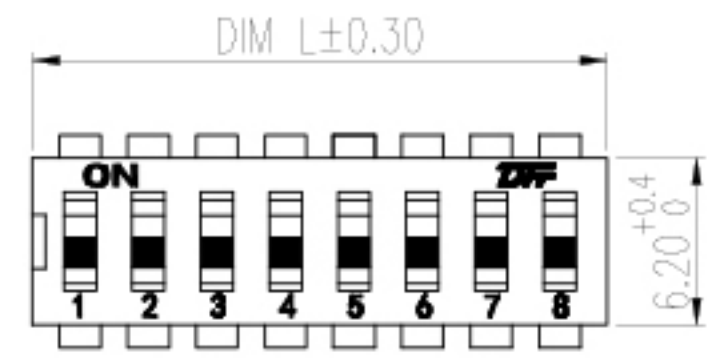
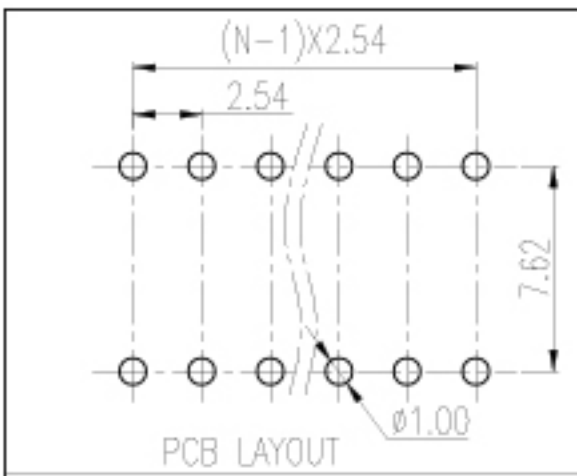
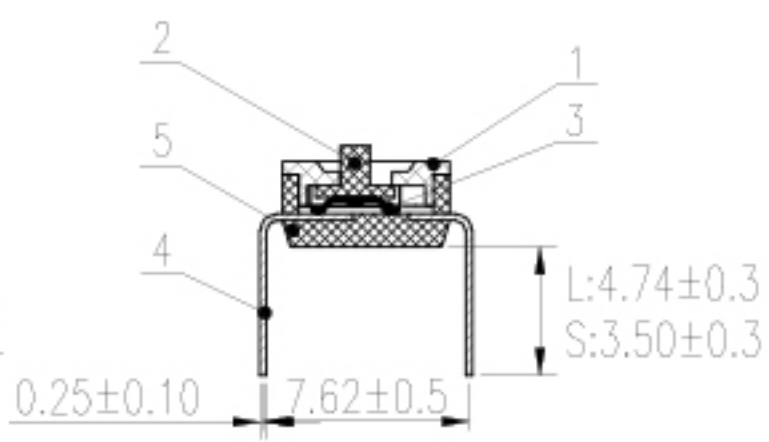


REV	ECN	CONTENT	CHECK	DATE
V0.0		ORIGINAL	YZG	2017.03.12
V1.0		arrange the drawing	WL	2019.09.25



L Type



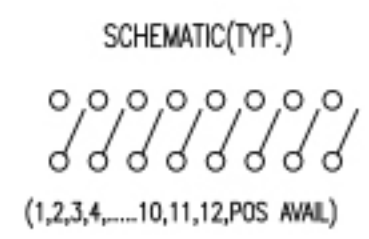
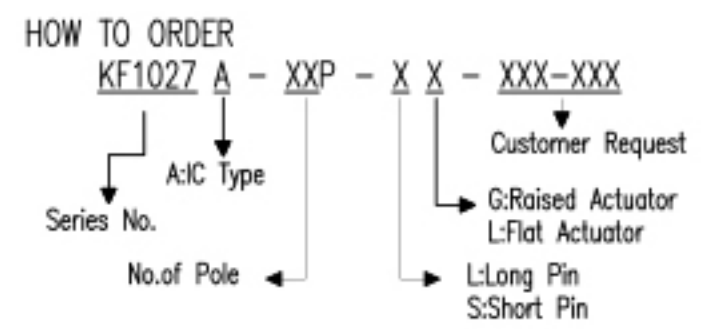
G Type

- SPECIFICATION:**
- Rating:
 - Switching: 25mA, 24VDC
 - Non-Switching: 100mA, 50VDC
 - Contact Resistance:
 - Initial: 50mΩ max
 - After Life Test: 100mΩ max
 - Insulation Resistance: 100MΩ min/500 VDC
 - Withstand Voltage: 500VAC for 1 minute
 - Operation Force: 1000g max
 - Stroke: 0.9mm
 - Mechanical Life: min 2000 cycles
 - Electrical Life: min 2000 cycles/25mA, 24VDC
 - Operation Temperature: -40℃~+85℃
 - Storage Temperature: -40℃~+85℃
 - RoHS Compliance

SOLDERING INFORMATION:
 Wave Soldering: 260±5℃, 5S max
 Manual Soldering: 30W iron, 320±5℃, 3S max
 Keep in "off" position during soldering

6	Tape(T=0.05)		1	Polyimide	Selectable
5	Base		1	Thermoplastic	UL94V-0
4	Pin		2P	Copper Alloy	Gold Plated
3	Spring		P	Copper Alloy	Gold Plated
2	Actuator		P	Thermoplastic	UL94V-0
1	Cover		1	Thermoplastic	UL94V-0
ITEM	NAME OF PART	NO. OF PART	Q'TY	MATERIAL	NOTE

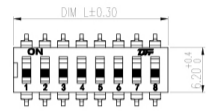
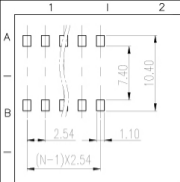
Poles	Dim P	Dim L
1P	—	3.54
2P	2.54	6.08
3P	5.08	8.62
4P	7.62	11.16
5P	10.16	13.70
6P	12.70	16.24
7P	15.24	18.78
8P	17.78	21.32
9P	20.32	23.86
10P	22.86	26.40
11P	25.40	28.94
12P	27.94	31.48



General tolerance in mm						radii and chamfers			shorter angle side			≡		— //	
over 0.5 to 3	over 3 to 6	over 6 to 30	over 30 to 120	over 120 to 400	over 400 to 1000	over 0.5 to 3	over 3 to 6	over 6	up to 10	over 10 to 50	over 50 to 120	all	over 0 to 100	over 100 to 150	over 150
±0.15	±0.2	±0.25	±0.3	±0.5	±0.8	±0.2	±0.5	±1.0	±1°	±30'	±20'	0.5	0.2	0.3	0.5

APP.	DATE	NAME	KF1027A-XXP-XX-DFT-XXX
CHK.	DATE		
DWG.	DATE	DWGNO.	W20000102
UNITS	MM	SCALE	1:1
		SHEET	1/1
		PROJECTION-METHOD	☉

DF 慈溪市凯峰电子有限公司
 CIXI KAIFENG ELECTRONICS CO., LTD

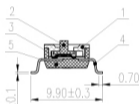
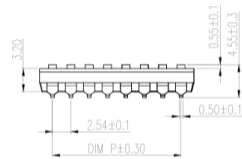


REV	ECN	CONTENT	CHECK	DATE
V0.0		ORIGINAL	YZG	2017.03.12
V1.0		arrange the drawing	WL	2019.09.25

- SPECIFICATION:**
- Rating:
 - Switching: 25mA, 24VDC
 - Non-Switching: 100mA, 50VDC
 - Contact Resistance:
 - Initial: 50mΩ max
 - After Life Test: 100mΩ max
 - Insulation Resistance: 100MΩ min/500 VDC
 - Withstand Voltage: 500VAC for 1 minute
 - Operation Force: 1000g max
 - Stroke: 0.8mm
 - Mechanical Life: min 2000 cycles
 - Electrical Life: min 2000 cycles/25mA, 24VDC
 - Operation Temperature: -40°C ~ +85°C
 - Storage Temperature: -40°C ~ +85°C
 - RoHS Compliance



L Type



G Type

- SOLDERING INFORMATION:**
- Reflow Soldering: 260°C (Peak Temperature), 240°C ~ 260°C, 20S max
 - Manual Soldering: 30W iron, 320 ± 5°C, 3S max
 - Keep in "off" position during soldering

HOW TO ORDER
KF1027 B - XXP - X XX - XXX-XXX

Series No. → BSMO Type
 No. of Pole →

Customer Request → 00 Tube (without Tape)
 01 Wraparound (with Tape)
 02 Raised Actuator
 03 L Flat Actuator



Poles	Dim P	Dim L
1P	—	3.54
2P	2.54	6.08
3P	5.08	8.62
4P	7.62	11.16
5P	10.16	13.70
6P	12.70	16.24
7P	15.24	18.78
8P	17.78	21.32
9P	20.32	23.86
10P	22.86	26.40
11P	25.40	28.94
12P	27.94	31.48

ITEM	NAME OF PART	NO. OF PART	Q'TY	MATERIAL	NOTE
6	Tape (T=0.05)	\	1	Polyimide	Selectable
5	Base	\	1	Thermoplastic	UL94V-0
4	Pin	\	2P	Copper Alloy	Gold Plated
3	Spring	\	P	Copper Alloy	Gold Plated
2	Actuator	\	P	Thermoplastic	UL94V-0
1	Cover	\	1	Thermoplastic	UL94V-0

APP.	DATE	NAME	KF1027B-XXP-XXX-DFT-XXX	
CHK.	DATE			
DWG.	DATE	DWGNO.		W2000062
UNITS	MM	SCALE		1:1
SHEET		1/1	PROJECTION-METHOD	☉

General Tolerance in mm				radii and chamfers			shorter angle side			≡	— //		
over 0.5	over 0.5	over 0.5	over 120	over 0.5	over 3	over 6	up to 10	over 10	over 50	all	over 8	over 100	over 150
±0.15	±0.2	±0.25	±0.3	±0.5	±0.8	±0.2	±0.5	±1*	±30*	±20*	0.5	0.2	0.3
3	6	30	120	4.00	10.00	3	6	10	50	120	100	150	150

DFE 慈溪市凯峰电子有限公司
 CIXI KAIFENG ELECTRONICS CO., LTD