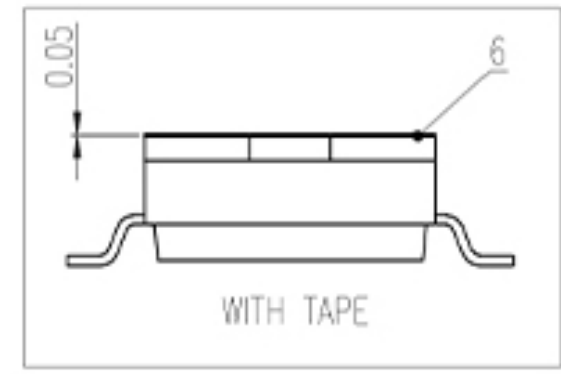
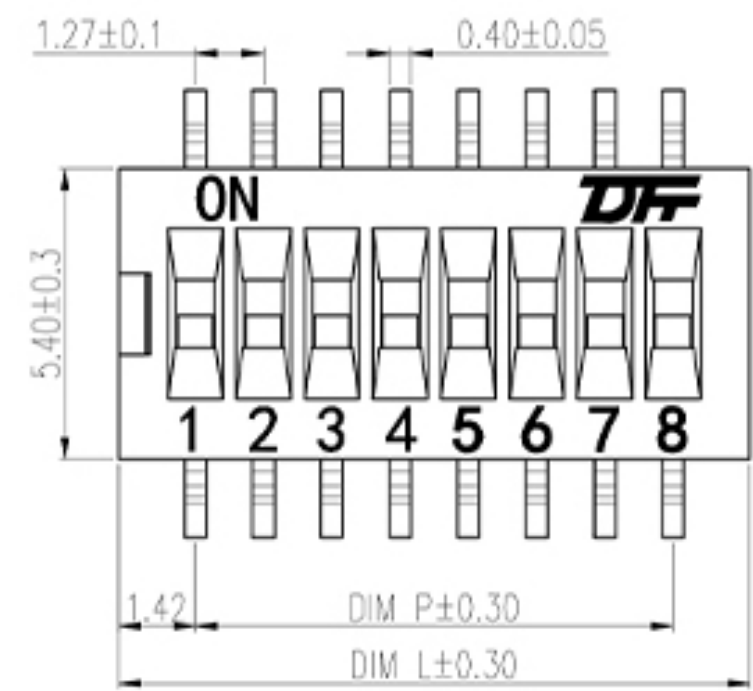
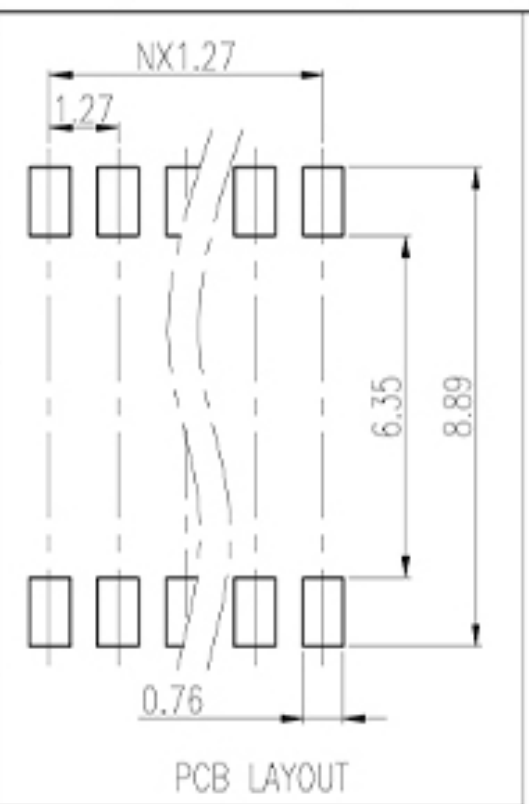
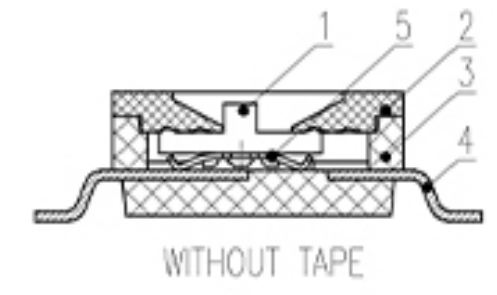
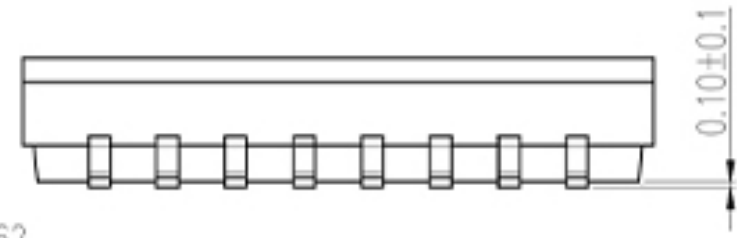
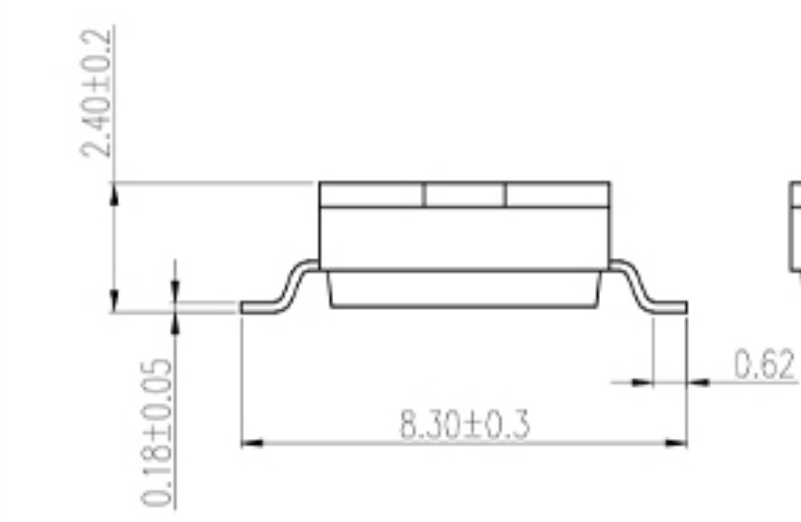


REV	ECN	CONTENT	CHECK	DATE
V0.0		ORIGINAL	LJ	2018.08.27



- SPECIFICATION:**
- Rating:
 - Switching: 25mA, 24VDC
 - Non-Switching: 100mA, 50VDC
 - Contact Resistance:
 - Initial: 50mΩ max
 - After Life Test: 100mΩ max
 - Insulation Resistance: 100MΩ min/500 VDC
 - Withstand Voltage: 300VAC for 1 minute
 - Operation Force: 500g max
 - Travel: 0.6mm
 - Mechanical Life: min 2000 cycles
 - Electrical Life: min 1000 cycles/25mA, 24VDC
 - Operation Temperature: -40℃~+85℃
 - Storage Temperature: -40℃~+85℃
 - RoHS Compliance



- SOLDERING INFORMATION:**
- Reflow Soldering: 260℃ (Peak Temperature), 240℃~260℃, 20S max
 - Manual Soldering: 30W iron, 320±5℃, 3S max
 - Keep in "off" position during soldering

HOW TO ORDER
 KF1028-XXP-XX-XXX-XXX
 Series Positions Special number
 Package:
 00: tube (without tape)
 TR: tape & reel (with tape)



POLE	Dim P	Dim L
2P	1.27	4.11
3P	2.54	5.38
4P	3.81	6.65
5P	5.08	7.92
6P	6.35	9.19
7P	7.62	10.46
8P	8.89	11.73
9P	10.16	13.00
10P	11.43	14.27
11P	12.70	15.54
12P	13.97	16.81

6	Tape(T=0.05)	XXXX	1	Polyimide	Selectable
5	Spring	XXXX	P	Copper Alloy	Gold Plated
4	Pin	XXXX	2P	Copper Alloy	Gold Plated
3	Base	XXXX	1	Thermoplastic	UL94V-0
2	Cover	XXXX	1	Thermoplastic	UL94V-0
1	Actuator	XXXX	P	Thermoplastic	UL94V-0
ITEM	NAME OF PART	NO. OF PART	Q'TY	MATERIAL	NOTE
APP.	DATE	NAME		KF1028-XXP-XX-DFT-XXX	
CHK.	DATE	DWGNO.		W20000072	
DWG.	DATE	SHEET	1/1	PROJECTION-METHOD	⊕ ⊖
UNITS	MM	SCALE	1:1		

General tolerance in mm						radii and chamfers			shorter angle side			≡			— //				
over 0.5	over 3	over 6	over 30	over 120	over 400	over 0.5	over 3	over 6	up to 10	over 10	over 50	all	over 0	over 100	over 150	over 0	over 100	over 150	
to 3	to 6	to 30	to 120	to 400	to 1000	to 3	to 6	to 10	to 10	to 50			to 100	to 150		to 100	to 150		
±0.15	±0.2	±0.25	±0.3	±0.5	±0.8	±0.2	±0.5	±1.0	±1°	±30'	±20'	0.5	0.2	0.3	0.5				

DF 慈溪市凯峰电子有限公司
 CIXI KAIFENG ELECTRONICS CO., LTD