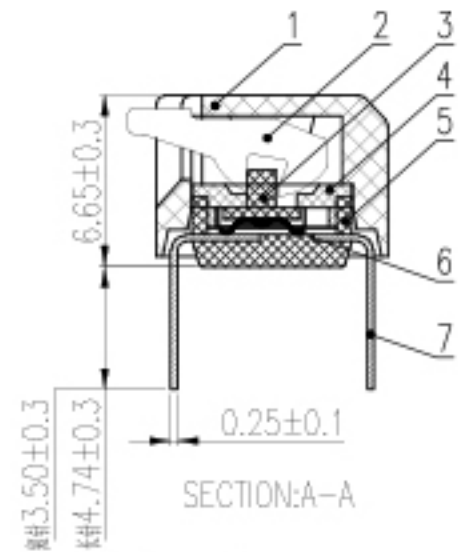
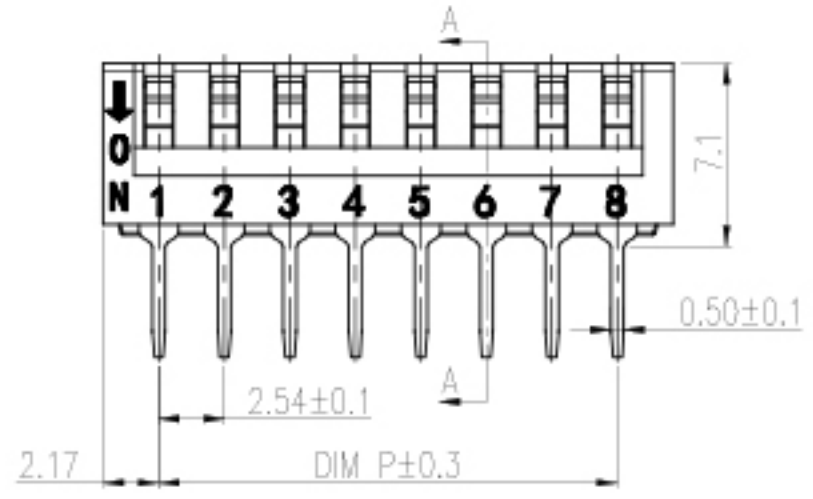
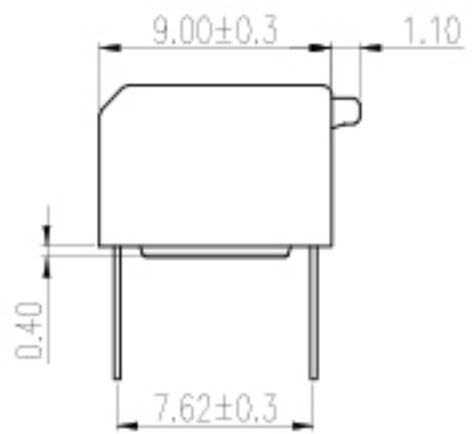
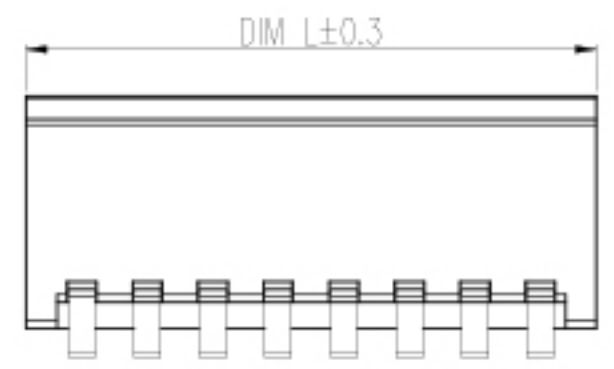
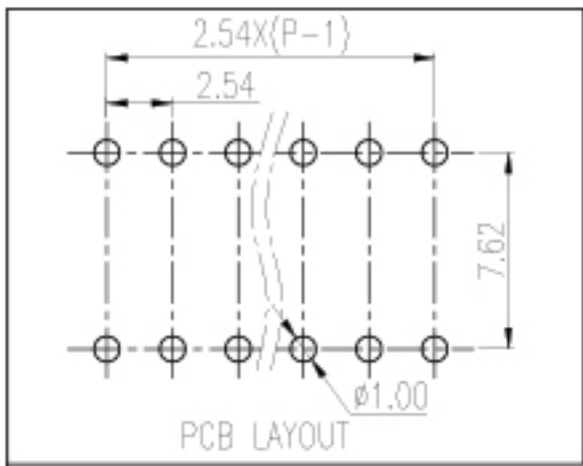


| REV | ECN | CONTENT | CHECK | DATE |
|------|-----|----------|-------|------------|
| VO.0 | | ORIGINAL | FZY | 2016.10.07 |
| V1.0 | | 整理圖面 | LJ | 2018.11.03 |

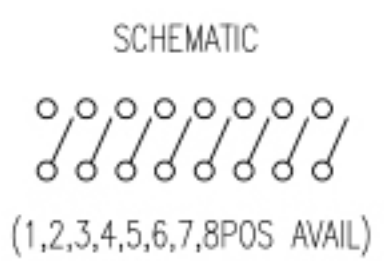


- SPECIFICATION:**
- Rating:
 - Switching: 25mA, 24VDC
 - Non-Switching: 100mA, 50VDC
 - Contact Resistance:
 - Initial: 50mΩ max
 - After Life Test: 100mΩ max
 - Insulation Resistance: 100MΩ min/500 VDC
 - Withstand Voltage: 500VAC for 1 minute
 - Operation Force: 800g max
 - Mechanical Life: min 2000 cycles
 - Electrical Life: min 1000 cycles/25mA, 24VDC
 - Operation Temperature: -40℃ ~ +85℃
 - Storage Temperature: -40℃ ~ +85℃
 - RoHS Compliance

SOLDERING INFORMATION:
 Wave Soldering: 260±5℃, 5S max
 Manual Soldering: 30W iron, 320±5℃, 3S max
 Keep in "off" position during soldering

| | | | | | |
|---|------------|---|----|---------------|-------------|
| 7 | PIN | / | 2P | Copper Alloy | Gold Plated |
| 6 | Spring | / | P | Copper Alloy | Gold Plated |
| 5 | Base | / | 1 | Thermoplastic | UL94V-0 |
| 4 | Cover | / | 1 | Thermoplastic | UL94V-0 |
| 3 | Actuator 2 | / | P | Thermoplastic | UL94V-0 |
| 2 | Actuator | / | P | Thermoplastic | UL94V-0 |
| 1 | Housins | / | 1 | Thermoplastic | UL94V-0 |

HOW TO ORDER
 KF1037 A- XX P- X -XXXX
 Series Positions Special number
 L: Long Pin
 S: Short Pin

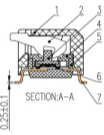
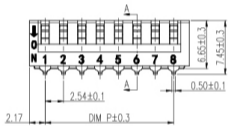
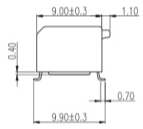
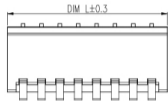
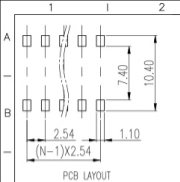


| Poles | Dim P | Dim L |
|-------|-------|-------|
| 1P | — | 4.34 |
| 2P | 2.54 | 6.88 |
| 3P | 5.08 | 9.42 |
| 4P | 7.62 | 11.96 |
| 5P | 10.16 | 14.50 |
| 6P | 12.70 | 17.04 |
| 7P | 15.24 | 19.58 |
| 8P | 17.78 | 22.12 |
| 9P | 20.32 | 24.66 |
| 10P | 22.86 | 27.20 |
| 11P | 25.40 | 29.74 |
| 12P | 27.94 | 32.28 |

| General tolerance in mm | | | | | | radii and chamfers | | | shorter angle side | | | = | | | — // | | | | |
|-------------------------|-------------|--------------|----------------|-----------------|------------------|--------------------|-------------|--------|--------------------|---------------|----------------|-----|---------------|-----------------|----------|-----|-----|-----|-----|
| over 0.5 to 3 | over 3 to 6 | over 6 to 30 | over 30 to 120 | over 120 to 400 | over 400 to 1000 | over 0.5 to 3 | over 3 to 6 | over 6 | up to 10 | over 10 to 50 | over 50 to 120 | all | over 0 to 100 | over 100 to 150 | over 150 | 0.5 | 0.2 | 0.3 | 0.5 |
| ±0.15 | ±0.2 | ±0.25 | ±0.3 | ±0.5 | ±0.8 | ±0.2 | ±0.5 | ±1.0 | ±1° | ±30° | ±20° | | | | | | | | |

| 序号 | 零件名称 | 零件编码 | 数量 | 材质 | 备注 |
|-------|------|--------|----------------------|-------------------|----|
| APP. | DATE | NAME | KF1037A-XP-X-XXX-XXX | | |
| CHK. | DATE | DWGNO. | W20002012 | | |
| DWG. | DATE | SHEET | 1/1 | PROJECTION-METHOD | |
| UNITS | MM | SCALE | 1:1 | | |

DF 慈溪市凯峰电子有限公司
 CIXI KAIFENG ELECTRONIC CO. LTD



| REV | ECN | CONTENT | CHECK | DATE |
|------|-----|---------------------|-------|------------|
| V0.0 | | ORIGINAL | FZY | 2016.10.07 |
| V1.0 | | arrange the drawing | LJ | 2018.11.03 |

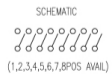
SPECIFICATION:

- Rating:
 - Switching: 25mA, 24VDC
 - Non-Switching: 100mA, 50VDC
- Contact Resistance:
 - Initial: 50mΩ max
 - After Life Test: 100mΩ max
- Insulation Resistance: 100MΩ min/500 VDC
- Withstand Voltage: 500VAC for 1 minute
- Operation Force: 800g max
- Mechanical Life: min 2000 cycles
- Electrical Life: min 1000 cycles/25mA, 24VDC
- Operation Temperature: -40°C ~ +85°C
- Storage Temperature: -40°C ~ +85°C
- RoHS Compliance

SOLDERING INFORMATION:

Reflow Soldering: 260°C (Peak Temperature), 240°C ~ 260°C, 20S max
 Manual Soldering: 30W Iron, 320±5°C, 3S max
 Keep in "off" position during soldering

HOW TO ORDER
 KF1037 B- XX P- XX -XXXX
 Series Positions SMD
 Special number
 OO: Tube
 TR: Tape & Reel



| Poles | Dim P | Dim L |
|-------|-------|-------|
| 1P | — | 4.34 |
| 2P | 2.54 | 6.88 |
| 3P | 5.08 | 9.42 |
| 4P | 7.62 | 11.96 |
| 5P | 10.16 | 14.50 |
| 6P | 12.70 | 17.04 |
| 7P | 15.24 | 19.58 |
| 8P | 17.78 | 22.12 |
| 9P | 20.32 | 24.66 |
| 10P | 22.86 | 27.20 |
| 11P | 25.40 | 29.74 |
| 12P | 27.94 | 32.28 |

| 7 | PIN | XXXX | 2P | COPPY ALLOY | Au plated |
|-------------------|-------------|-------|----------|---------------|-----------|
| 6 | SPRING | XXXX | P | COPPY ALLOY | Au plated |
| 5 | BASE | XXXX | 1 | THERMOPLASTIC | UL94-V0 |
| 4 | COVER | XXXX | 1 | THERMOPLASTIC | UL94-V0 |
| 3 | ACTUATOR 2 | XXXX | P | THERMOPLASTIC | UL94-V0 |
| 2 | ACTUATOR 1 | XXXX | P | THERMOPLASTIC | UL94-V0 |
| 1 | HOUSING | XXXX | 1 | THERMOPLASTIC | UL94-V0 |
| ITEM NAME OF PART | NO. OF PART | Q' TY | MATERIAL | NOTE | |

| APP. | DATE | NAME | KF1037B-XXP-XX-XXX-XXX |
|-------|------|-------------------|------------------------|
| CHK. | DATE | | |
| DWG. | DATE | DWGNO. | W20002092 |
| UNITS | MM | SCALE | 1:1 |
| | | SHEET | 1/1 |
| | | PROJECTION-METHOD | ☉ ☉ |

| General Tolerance in mm | | | | radii and chamfers | | | shorter angle side | | | ≡ | — // | | |
|-------------------------|--------|--------|----------|--------------------|--------|--------|--------------------|---------|---------|----------|----------|----------|--|
| over 0.5 | over 3 | over 6 | over 120 | over 0.5 | over 3 | over 6 | up to 10 | over 10 | over 50 | over 100 | over 100 | over 150 | |
| to 3 | to 6 | to 30 | to 400 | to 3 | to 6 | to 18 | to 10 | to 50 | to 120 | to 150 | to 150 | to 150 | |
| ±0.15 | ±0.2 | ±0.25 | ±0.3 | ±0.5 | ±0.8 | ±0.2 | ±1* | ±30' | ±20' | 0.5 | 0.2 | 0.3 | |
| 1 | 1 | 1 | 1 | 2 | 1 | 3 | 3 | 1 | 4 | 5 | 6 | 7 | |

DF 慈溪市凯峰电子有限公司
 CIXI KAIFENG ELECTRONICS CO., LTD