

LAS0

Product Overview

LAS0 series is divided into A3, B3, Q, K, L, K30 six products, representing six product structure (refer to the specific product structure illustration), the series of button head modeling variety, the structure is cleverly designed, and the operating part of the link with the center base uses a large span of multi-point card, high Wall inline fixed installation, anti-drop, anti-vibration, can meet the user a variety of use scenarios. It can meet a variety of user scenarios. The K30 type button is ultra-thin head (the head of the button to the panel <3mm), beautiful appearance, comfortable operation, and installation holes. Beautiful and comfortable to operate, the installation aperture is $\Phi 30\text{mm}$.

Specs Products include push button, signal indicator, emergency stop knob, knob, key knob, key emergency stop knob, mushroom knob, double-position knob, cross switch; mounting holes cover $\Phi 22\text{mm}$, $\Phi 25\text{mm}$ (use fixed nut reducer), $\Phi 30\text{mm}$ (K30 type only).

Performance High quality engineering flame retardant materials are used, and the switch components are separated independently in the structure. Good insulation performance; products comply with IEC60947-5-1, GB/T14048.5 and other standards.

Structure There are two types of switch elements: "fast-acting" and "slow-acting" with "self-cleaning" function. The switch blocks can be assembled in a modular manner, with two switch elements installed in each block. Up to 8 switch elements can be combined to meet the requirements of various specific control circuits.

Protective Degree Conventional configuration IP40, some products can be customized IP65/IP67.



Switch Ratings

Rated Insulation Voltage (Ui)			500V					
Terminal Current (Ith)			10A Temperature rise does not exceed the current allowed by the maximum rating					
Rated Voltage			24V	48V	110V	220V	380V	500V
Rated Current	AC 50/60HZ	AC-12 resistive load and Semiconductor load control	10A	—	10A	6A	—	—
		AC-15 electronic load control (>72VA)	10A	—	6A	3A	1.8A	1.4A
	DC	DC-12 resistive load and Semiconductor load control	8A	4A	2.2A	1.1A	—	—
		DC-13 electronic load control	4A	2A	1.1A	0.6A	—	—
Contact material			Silver alloy					

Minimum load : 3V AC/DC, 5mA (Application scope depends on operating environment and load type)

Performance Characteristics

Operating temperature	-25 ~ + 55 (no freezing) keep the air flowing around illuminated push button
Operation Humidity	45 ~85%RH (no condensation)
Contact Resistor	50m
Insulation Resistor	100M (500VDC)
Maximum withstand voltage	3000V, AC 50Hz, 1min
Vibration Resistance	50Hz, Amplitude 1.0mm
Mechanical Life	Momentary knob 1 million times,
	Latching knob, selection knob 500,000 times ,
	key knob, emergency stop button 200,000 times.
Electrical Life	More than 50,000 times (cross switch 10,000 times or more)
Connection	Threaded connection, wire diameter: 2 x 1.5 mm ² max
	Pin terminal: 6.3x0.8mm
Operating force	1NO1NC: approx. 10N, 2NO2NC: approx. 17N (button)
	1NO1NC: approx. 14N, 2NO2NC: approx. 21N (waterproof button)
Operation Travel	A, B, Q type: about 5.0mm(pushbutton)
	K L K30 type: about 3.8mm(pushbutton)

Installation Dimensions and circuit diagram

Installation Dimensions

circuit diagram

The switch code is 11.
1, 2 are normal closed;
3, 4 are normal opened;

Type	A	B	C	Remark
Normal	$\Phi 22.5$	50	35	1, Unit: mm 2, B and C both refer to the minimum size
Selector, Key-lock	or $\Phi 25.5$	50	35	
Mushroom	or $\Phi 25.5$	50	42	
Big Mushroom	$\Phi 30.5$	70	70	

LAS0

Lamp Ratings

Lamp type	2-way Illuminated LEDs				Equivalent circuit	AC/DC: (resistor step-down)	
Rated Voltage	AC/DC 6V	AC/DC 12V	AC/DC 110V	AC/DC 220V			
	AC/DC 24V		AC 110V	AC 220V			
Rated Current	20mA					AC: (capacitor step-down)	
Lamp Life	40,000 小时						
Cover Color	R G Y B W						

Note: 1. The lamp contains current-limiting resistor inside and doesn't need connect outside.
 2. The standard is using AC/DC LED lamp, DC LED lamp, dual-color LED lamp and other voltages can be customized.

The Contact Pair's Close-open State Chart of the Selector Switches and Key-lock Switches.

a、The Contact Pair's Close-open State Chart of 2-position Selector Switch.

	Type		
1	LAS0-11 /2		
2	LAS0-02 /2		
3	LAS0-20 /2		
4	LAS0-22 /2		
5	LAS0-13 /2		
6	LAS0-31 /2		
7	LAS0-04 /2		
8	LAS0-40 /2		
9	LAS0-42 /2		
10	LAS0-24 /2		
11	LAS0-06 /2		
12	LAS0-60 /2		
13	LAS0-33 /2		
14	LAS0-15 /2		
15	LAS0-51 /2		

B、The Contact Pair's Close-open State Chart of 3-position Selector Switch.

	Type			
1	LAS0-11 /3			
2	LAS0-02 /3			
3	LAS0-20 /3			
4	LAS0-22 /3			
5	LAS0-13 /3			
6	LAS0-31 /3			
7	LAS0-04 /3			
8	LAS0-40 /3			
9	LAS0-42 /3			
10	LAS0-24 /3			
11	LAS0-06 /3			
12	LAS0-60 /3			
13	LAS0-33 /3			
14	LAS0-15 /3			
15	LAS0-51 /3			

Note: 1. express open state, express close state.
 2. If you need other contact state, please tell us.

LAS0

Structure Charts

A type operating head $\Phi 22\text{mm}$	B type operating head $\Phi 22\text{mm}$	K type operating head $\Phi 22\text{mm}$	L type operating head $\Phi 22\text{mm}$	K30 type operating head $\Phi 22\text{mm}$
LAS0-A3	LAS0-B3	LAS0-K	LAS0-L	LAS0-K30
Q type operating head reference disassembly schematic				
Quick-break Switch (Default blue)			Slow-break Switch (Default green)	
			<i>If you need slow motion structure, please add M in the front of the model number.</i>	

Product Installation Diagram

LAS0-K/L/A3/B3 Instruction	Disassembly Way
<p><i>If the push button need to be shork-proof, you can ask for small screws to stable the nut.</i></p>	
LAS0-Q Instruction	
	<p>Take out the head with a starter, and unscrew the aluminum screw. Then put the switch into the panel's hole. Screw the screw, then put the head onto the switch.</p>




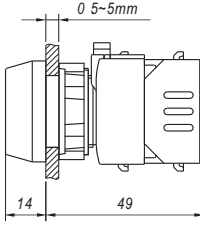
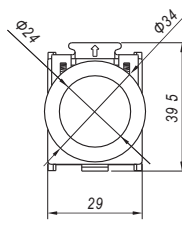

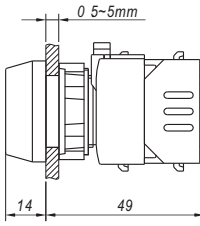
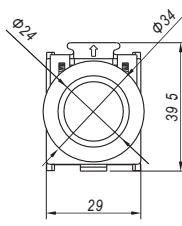

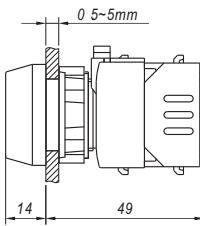
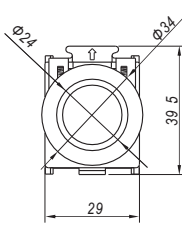

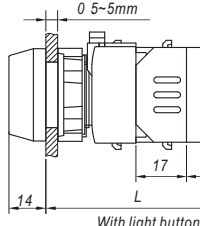
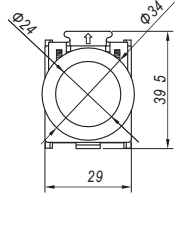

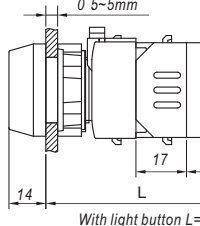
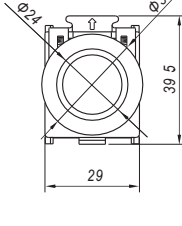
LAS0

LAS0 Series model description

LAS0-☆- / / / /


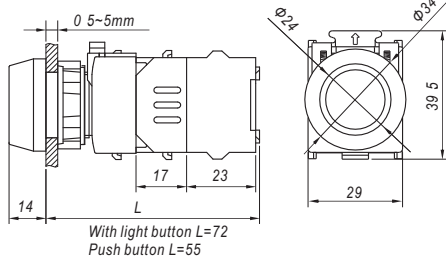

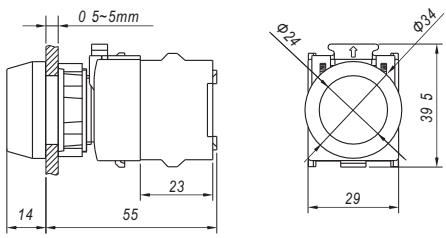

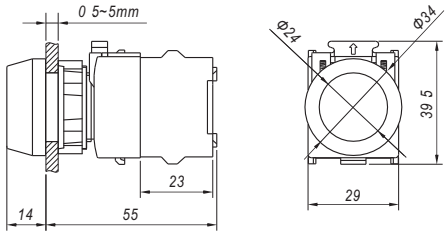

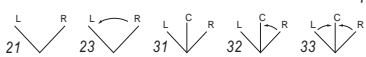
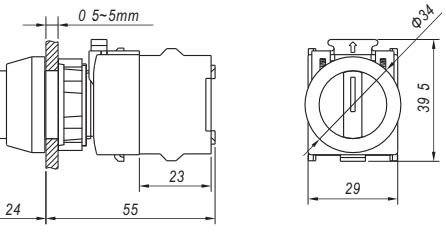

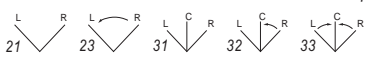
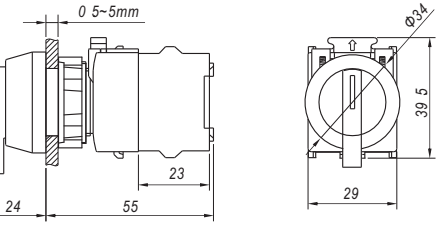
Symbol	Symbol name	Specify
	Code of series	L: L-type head (aluminum color) / LA: L-type head (aluminum black) / K: K-type head (aluminum color) / KA: K-type head (aluminum black) / KE: K-type head (economy type) / K30: 30 K-type / A3: A3-type head / B3: B3-type head / Q: Q-type head
	Contact structure	one group of switching elements 11(1NO1NC) / 10(1NO) / 01(1NC) / 20(2NO) / 02(2NC)
		two groups of switching elements 22(2NO2NC) / 40(4NO) / 04(4NC) / 31(3NO1NC) / 13(1NO3NC) 30(3NO) / 03(3NC) / 21(2NO1NC) / 12(1NO2NC)
		Three groups of switching elements configuration and so on, can choose the combination according to the need
	Operation type	No letter means Momentary, Such as the number of contacts before EA or EB in the model description, it means that the product is a momentary button with light. Z alternate normal type Q momentary metal domed type TSA A type emergency stop knob YA A type key knob D pilot lamp ZP alternated metal flat type TSB B type emergency stop YTS Key emergency stop EA transparent ring pilot lamp ZQ alternate metal domed type TSC C type emergency stop S double-position pushbutton EB colored ring pilot lamp MA A type momentary mushroom X selector switch C21 double-position rocker switch ZEA alternate transparent ring illuminated MB B type momentary mushroom XAA type lever switch C23 double-position momentary rocker switch ZEB alternate colored ring illuminated ZMAA type alternate mushroom XB B type lever switch C41 four-position rocker switch P momentary metal flat type ZMB B type alternate mushroom XC C type lever switch C43 four-position momentary rocker switch
	Selector button and key button operation position	2: Two position / 3: Three position
	Selector Knob and Key Knob operation Type	1: maintain / 2: half return / 3: self return
	Unmovable Position of Key	
	Lamp color	R: Red / G: Green / Y: Yellow / B: Blue / W: White/ N: Black
	Lamp voltage	6V / 12V / 24V / 110V / 220V / No letter means no light
	IP Degree	P: IP65 / No letter means IP40

LAS0-L

Product Picture	Description	Dimension	
 <p>Pilot Lamp LAS0-L-D/ / /</p>	<p>LED color R G Y B W LED voltage 6V / 12V / 24V / 110V / 220V / 380V IP degree P:IP65 / No letter means IP40 Accessory Protective cover T16</p>		
 <p>Transparent Ring Pilot Lamp LAS0-L-EA/ / /</p>	<p>LED color R G Y B W LED voltage 6V / 12V / 24V / 110V / 220V / 380V IP degree P:IP65 / No letter means IP40 Accessory Protective cover T16</p>		
 <p>Ring Pilot Lamp LAS0-L-EB/ / /</p>	<p>LED color R G Y B W LED voltage 6V / 12V / 24V / 110V / 220V / 380V IP degree P:IP65 / No letter means IP40 Accessory Protective cover T16</p>		
 <p>Push button (can be illuminated) LAS0-L- / / /</p>	<p>Contact 11: 1NO1NC / 10: 1NO / 01: 1NC Other switch combinations refer to the model description Operation Z: Latching / No letter: Momentary LED color R G Y B W LED voltage 6V / 12V / 24V / 110V / 220V IP degree P:IP65 / No letter means IP40 Accessory Protective cap T16 / T35 protective cover</p>		
 <p>Push button (can be illuminated) LAS0-L- EA/ / /</p>	<p>Contact 11: 1NO1NC / 10: 1NO / 01: 1NC Other switch combinations refer to the model description Operation Z: Latching / No letter: Momentary LED color R G Y B W LED voltage 6V / 12V / 24V / 110V / 220V IP degree P:IP65 / No letter means IP40 Accessory Protective cap T16 / T35 protective cover</p>		



LAS0-L

Product Picture	Description	Dimension
 <p>Ring Push button (can be illuminated) LAS0-L- EB/ / /</p>	<p>Contact 11: 1NO1NC / 10: 1NO / 01: 1NC Other switch combinations refer to the model description</p> <p>Operation Z: Latching / No letter: Momentary</p> <p>LED color R G Y B W</p> <p>LED voltage 6V / 12V / 24V / 110V / 220V</p> <p>IP degree P: IP65 / No letter means IP40</p> <p>Accessory Protective cap T16 / T35 protective cover</p>	
 <p>Metal Flat Head Push button LAS0-L- P/</p>	<p>Contact 11: 1NO1NC / 10: 1NO / 01: 1NC Other switch combinations refer to the model description</p> <p>Operation Z: Latching / No letter: Momentary</p> <p>IP degree P: IP65 / No letter means IP40</p> <p>Accessory Protective cap T16 / T35 protective cover</p>	
 <p>Metal Domed Head Push button LAS0-L- Q/</p>	<p>Contact 11: 1NO1NC / 10: 1NO / 01: 1NC Other switch combinations refer to the model description</p> <p>Operation Z: Latching / No letter: Momentary</p> <p>IP degree P: IP65 / No letter means IP40</p> <p>Accessory Protective cap T16 / T35 protective cover</p>	
 <p>Selector Switch LAS0-L- X/ /</p>	<p>Contact 11: 1NO1NC / 20: 2NO / 02: 2NC Other switch combinations refer to the model description</p> <p>Operation  (32 Default right momentary, left momentary can be customized) Contact, pls refer to "contact on/off chart"</p> <p>IP degree※ P: IP65 / No letter means IP40</p> <p>Accessory T35 protective cover</p>	
 <p>B Type Lever Switch LAS0-L- XB/ /</p>	<p>Contact 11: 1NO1NC / 20: 2NO / 02: 2NC Other switch combinations refer to the model description</p> <p>Operation  (32 Default right momentary, left momentary can be customized) Contact, pls refer to "contact on/off chart"</p> <p>IP degree※ P: IP65 / No letter means IP40</p> <p>Accessory T35 protective cover</p>	



LAS0-L

Product Picture	Description	Dimension
<p>Key-lock Switch LAS0-L- YA/ /</p>	<p>Contact 11: 1NO1NC / 20: 2NO / 02: 2NC Other switch combinations refer to the model description</p> <p>Operation</p> <p> 21 23 31 32 33 (32 Default right momentary, left momentary can be customized) Contact, pls refer to "contact on/off chart" </p> <p>IP degree IP40, Maintain type can be customized to IP65</p> <p>Accessory T35 protective cover</p>	

<p>Rocker Switch 2 Position</p>	Two position rocker operation 2NO	LAS0-K-20C21	
	Two position rocker operation 4NO	LAS0-K-40C21	
	Two position return rocker operation 2NO	LAS0-K-20C23	
	Two position return rocker operation 4NO	LAS0-K-40C23	


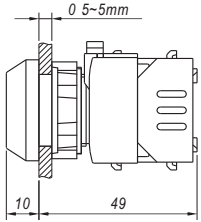
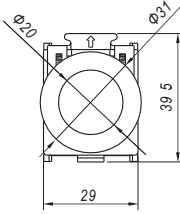

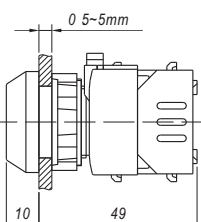
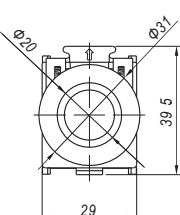

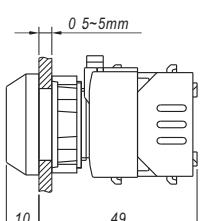
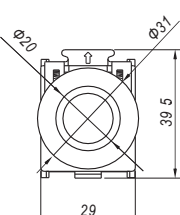

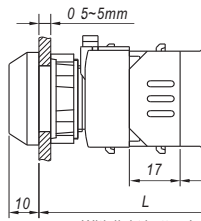
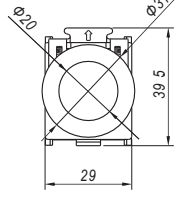

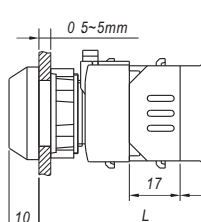
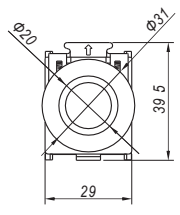
<p>Rocker Switch 4 Position</p>	Four position rocker operation 4NO	LAS0-K-40C41	
	Four position return rocker operation 4NO	LAS0-K-40C43	

Note

- The Rocker Switch is normally open contacts, and the switch corresponding to the number is closed when the corresponding position is triggered.
- IP degree: IP67
- Accessories: T18-2 indicator ring (two positions) / T18-4 indicator ring (four positions)


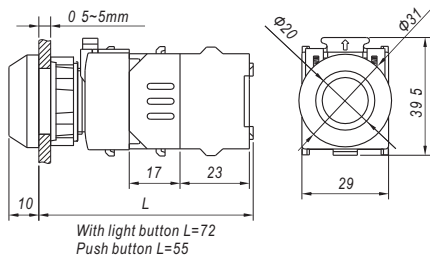

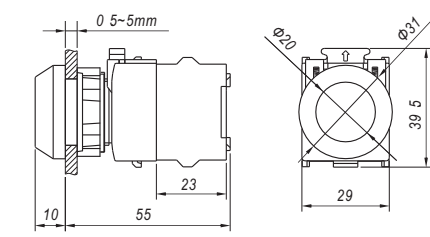

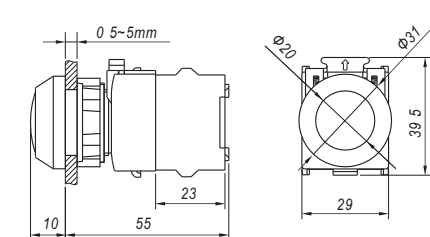

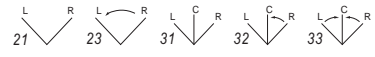
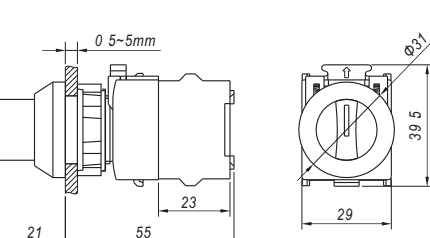


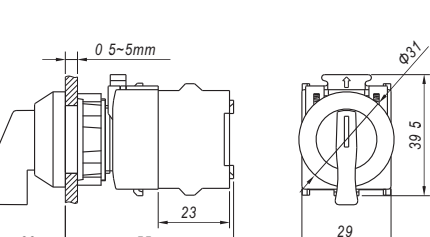


LAS0-K

Product Picture	Description	Dimension	
 <p>Pilot Lamp LAS0-K-D/ / /</p>	<p>LED color R G Y B W LED voltage 6V / 12V / 24V / 110V / 220V / 380V IP degree P:IP65 / No letter means IP40 Accessory Protective cover T16</p>		
 <p>Transparent Ring Pilot Lamp LAS0-K-EA/ / /</p>	<p>LED color R G Y B W LED voltage 6V / 12V / 24V / 110V / 220V / 380V IP degree P:IP65 / No letter means IP40 Accessory Protective cover T16</p>		
 <p>Ring Pilot Lamp LAS0-K-EB/ / /</p>	<p>LED color R G Y B W LED voltage 6V / 12V / 24V / 110V / 220V / 380V IP degree P:IP65 / No letter means IP40 Accessory Protective cover T16</p>		
 <p>Push button (can be illuminated) LAS0-K- / / /</p>	<p>Contact 11: 1NO1NC / 10: 1NO / 01: 1NC Other switch combinations refer to the model description Operation Z: Latching / No letter: Momentary LED color R G Y B W LED voltage 6V / 12V / 24V / 110V / 220V IP degree P:IP65 / No letter means IP40 Accessory Protective cap T16 / T35 protective cover</p>	 <p>With light button L=72 Push button L=55</p>	
 <p>Push button (can be illuminated) LAS0-K- EA/ / /</p>	<p>Contact 11: 1NO1NC / 10: 1NO / 01: 1NC Other switch combinations refer to the model description Operation Z: Latching / No letter: Momentary LED color R G Y B W LED voltage 6V / 12V / 24V / 110V / 220V IP degree P:IP65 / No letter means IP40 Accessory Protective cap T16 / T35 protective cover</p>	 <p>With light button L=72 Push button L=55</p>	


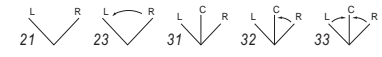
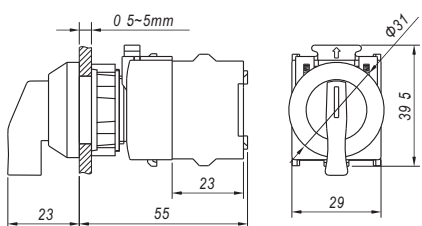

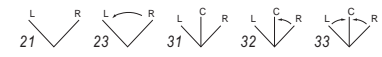
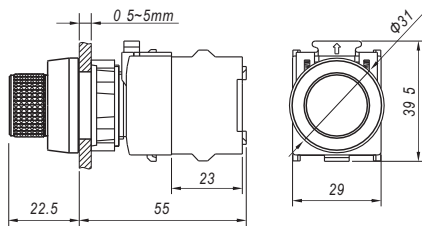

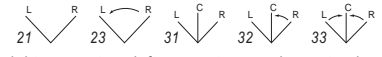
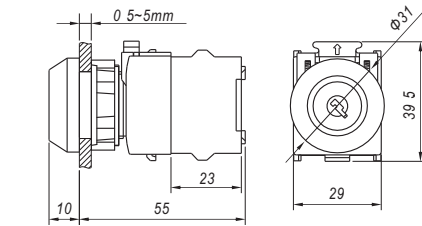

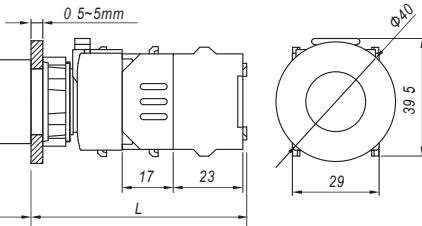

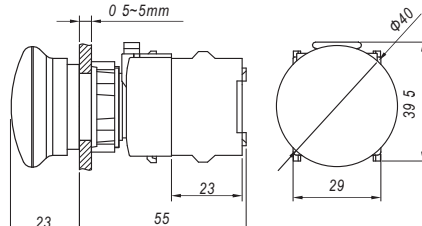


LAS0-K

Product Picture	Description	Dimension
 <p>Ring Push button (can be illuminated) LAS0-K- EB/ / /</p>	<p>Contact 11: 1NO1NC / 10: 1NO / 01: 1NC Other switch combinations refer to the model description</p> <p>Operation Z: Latching / No letter: Momentary</p> <p>LED color R G Y B W</p> <p>LED voltage 6V / 12V / 24V / 110V / 220V / 380V</p> <p>IP degree P:IP65 / No letter means IP40</p> <p>Accessory Protective cap T16 / T35 protective cover</p>	 <p>With light button L=72 Push button L=55</p>
 <p>Metal Flat Head Push button LAS0-K- P/</p>	<p>Contact 11: 1NO1NC / 10: 1NO / 01: 1NC Other switch combinations refer to the model description</p> <p>Operation Z: Latching / No letter: Momentary</p> <p>IP degree P:IP65 / No letter means IP40</p> <p>Accessory Protective cap T16 / T35 protective cover</p>	
 <p>Metal Domed Head Push button LAS0-K- Q/</p>	<p>Contact 11: 1NO1NC / 10: 1NO / 01: 1NC Other switch combinations refer to the model description</p> <p>Operation Z: Latching / No letter: Momentary</p> <p>IP degree P:IP65 / No letter means IP40</p> <p>Accessory Protective cap T16 / T35 protective cover</p>	
 <p>Selector Switch LAS0-K- X/ /</p>	<p>Contact 11: 1NO1NC / 20: 2NO / 02: 2NC Other switch combinations refer to the model description</p> <p>Operation  (32 Default right momentary, left momentary can be customized) Contact, pls refer to "contact on/off chart"</p> <p>IP degree P:IP65 / No letter means IP40</p> <p>Accessory T35 protective cover</p>	
 <p>A Type Lever Switch LAS0-K- XA/ /</p>	<p>Contact 11: 1NO1NC / 20: 2NO / 02: 2NC Other switch combinations refer to the model description</p> <p>Operation  (32 Default right momentary, left momentary can be customized) Contact, pls refer to "contact on/off chart"</p> <p>IP degree P:IP65 / No letter means IP40</p> <p>Accessory T35 protective cover</p>	



LAS0-K

Product Picture	Description	Dimension
 <p>B Type Lever Switch LAS0-K- XB/ / /</p>	<p>Contact 11: 1NO1NC / 20: 2NO / 02: 2NC Other switch combinations refer to the model description</p> <p>Operation</p>  <p>(32 Default right momentary, left momentary can be customized) Contact, pls refer to "contact on/off chart"</p> <p>LED color R G Y N</p> <p>IP degree P: IP65 / No letter means IP40</p> <p>Accessory T35 protective cover</p>	
 <p>D Type Selector Switch LAS0-K- XD/ / /</p>	<p>Contact 11: 1NO1NC / 20: 2NO / 02: 2NC Other switch combinations refer to the model description</p> <p>Operation</p>  <p>(32 Default right momentary, left momentary can be customized) Contact, pls refer to "contact on/off chart"</p> <p>IP degree P: IP65 / No letter means IP40</p> <p>Accessory T35 protective cover</p>	
 <p>Key-lock Switch LAS0-K- YA/ / /</p>	<p>Contact 11: 1NO1NC / 20: 2NO / 02: 2NC Other switch combinations refer to the model description</p> <p>Operation</p>  <p>(32 Default right momentary, left momentary can be customized) Contact, pls refer to "contact on/off chart"</p> <p>Unmovable Position of Key Refer to Notes</p> <p>IP degree P: IP65 / No letter means IP40</p> <p>Accessory T35 protective cover</p>	
 <p>A Type Illuminated Mushroom LAS0-K- MA/ / /</p>	<p>Contact 11: 1NO1NC / 10: 1NO / 01: 1NC Other switch combinations refer to the model description</p> <p>Operation Z: Latching / No letter: Momentary</p> <p>LED color R G</p> <p>LED voltage 6V / 12V / 24V / 110V / 220V</p> <p>IP degree P: IP65 / No letter means IP40</p> <p>Accessory T35 protective cover/ Protective cap T16 / Protective cap T24-A</p>	 <p>With light button L=72 Push button L=55</p>
 <p>B Type Mushroom LAS0-K- MB/R/ /</p>	<p>Contact 11: 1NO1NC / 10: 1NO / 01: 1NC Other switch combinations refer to the model description</p> <p>Operation Z: Latching / No letter: Momentary</p> <p>LED color R</p> <p>IP degree P: IP65 / No letter means IP40</p> <p>Accessory T35 protective cover/ Protective cap T16 / Protective cap T24-A</p>	



LAS0-K

Product Picture	Description	Dimension
<p>A Type Emergency stop switch LAS0-K- TSA/R/</p>	<p>Contact 11: 1NO1NC / 10: 1NO / 01: 1NC Other switch combinations refer to the model description</p> <p>IP degree P:IP65 / No letter means IP40</p> <p>Accessory T35 protective cover/ Warning ring T14-2260 / T26 protection ring</p>	<p>0 5-5mm 22.5 55 23 29 39.5 $\phi 40$</p>
<p>B Type Emergency stop switch LAS0-K- TSB</p>	<p>Contact 11: 1NO1NC / 10: 1NO / 01: 1NC Other switch combinations refer to the model description</p> <p>IP degree IP40</p> <p>Accessory T35 protective cover/ Warning ring T14-2260 / T26 protection ring</p>	<p>0 5-5mm 37 55 23 29 39.5 $\phi 40$</p>
<p>C Type Emergency stop switch LAS0-K- TSC/</p>	<p>Contact 11: 1NO1NC / 10: 1NO / 01: 1NC Other switch combinations refer to the model description</p> <p>IP degree P:IP65 / No letter means IP40</p> <p>Accessory T35 protective cover/ Warning ring T14-2260 / T26 protection ring</p>	<p>0 5-5mm 21 55 23 29 39.5 $\phi 40$</p>
<p>Emergency stop Key-lock Switch LAS0-K- YTS</p>	<p>Contact 11: 1NO1NC / 10: 1NO / 01: 1NC Other switch combinations refer to the model description</p> <p>IP degree IP40</p> <p>Accessory T35 protective cover/ Warning ring T14-2260 / T26 protection ring</p>	<p>0 5-5mm 24.7 55 23 29 39.5 $\phi 40$</p>
<p>Double-position (can be illuminated) LAS0-K- S/</p>	<p>Contact 11: 1NO1NC / 10: 1NO / 01: 1NC Other switch combinations refer to the model description</p> <p>LED voltage 6V / 12V / 24V / 110V / 220V</p> <p>IP degree IP40</p> <p>Accessory T35 protective cover</p>	<p>0 5-5mm 14.5 55 23 29 56</p>



LAS0-LA/KA/KE

LAS0-LA Aluminum alloy head (black plated) product

Models	Pilot Lamp LAS0-LA-D/△/▲/※	Flat Head push button(can be illuminated) LAS0-LA-□■/△/※	Selector Switch LAS0-LA-□X/◇◆/※	A Type Selector Switch LAS0-LA-□XB/◇◆/※
Shape				


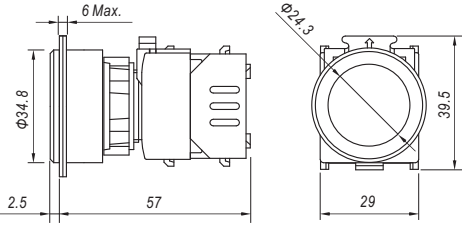

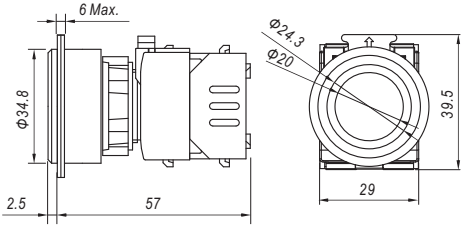

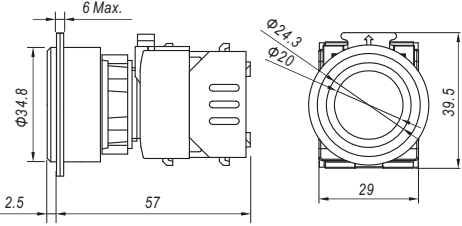

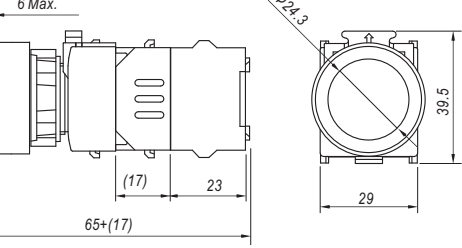

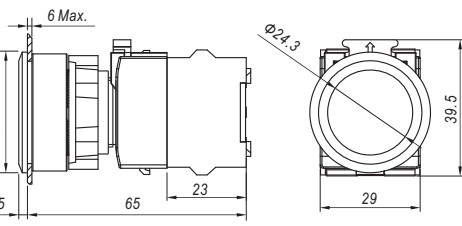
LAS0-KA Aluminum alloy head (black plated) product

Models	Pilot Lamp LAS0-KA-D/△/▲/※	Flat Head push button(can be illuminated) LAS0-KA-□■/△/※	Selector Switch LAS0-KA-□X/◇◆/※	A Type Selector Switch LAS0-KA-□XA/◇◆/※
Shape				
Models	B Type Selector Switch LAS0-KA-□XB/◇◆/△/※	Key-lock Switch LAS0-KA-□Y/◇◆/※		
Shape				

LAS0-KE Economical Type Plastic head product

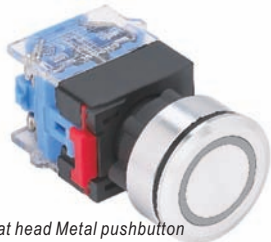
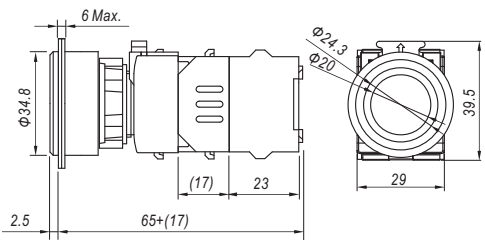
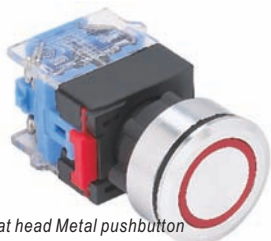
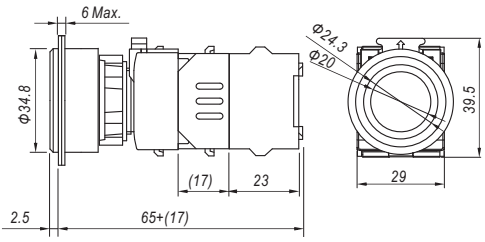

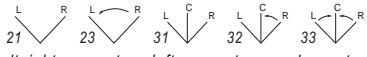
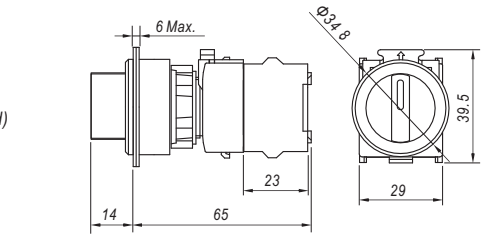

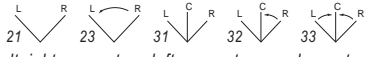
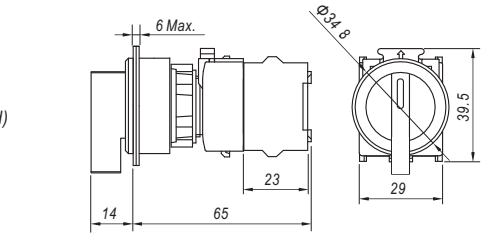

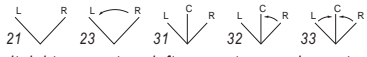
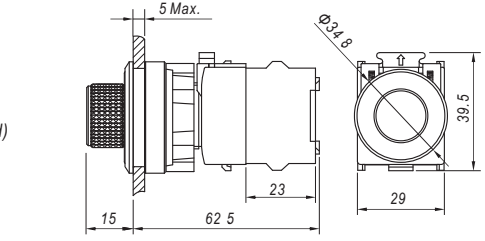
Models	Pilot Lamp LAS0-KE-D/△/▲/※	Flat Head push button LAS0-KE-□■/△/※	Flat Head push button(can be illuminated) LAS0-KE-□■/△/▲/※	Selector Switch LAS0-KE-□X/◇◆/※
Shape				
Models	A Type Selector Switch LAS0-KE-□XA/◇◆/※	B Type Selector Switch LAS0-KE-□XB/◇◆/△/※	Key-lock Switch LAS0-KE-□YA/◇◆/※	
Shape				

LAS0-K30

Product Picture	Description	Dimension
<p>Can customize stainless steel head</p>  <p>Pilot Lamp LAS0-K30-D/ ^ / ^ / ^</p>	<p>LED color R G Y B W LED voltage 6V / 12V / 24V / 110V / 220V / 380V IP degree P:IP65 / No letter means IP40</p>	
 <p>Transparent Ring Pilot Lamp LAS0-K30-EA/ / /</p>	<p>LED color R G Y B W LED voltage 6V / 12V / 24V / 110V / 220V / 380V IP degree P:IP65 / No letter means IP40</p>	
 <p>Ring Pilot Lamp LAS0-K30-EB/ / /</p>	<p>LED color R G Y B W LED voltage 6V / 12V / 24V / 110V / 220V / 380V IP degree P:IP65 / No letter means IP40</p>	
<p>Can customize stainless steel head</p>  <p>Round Flat head Push button (can be illuminated) LAS0-K30- / / /</p>	<p>Contact 11: 1NO1NC / 10: 1NO / 01: 1NC Other switch combinations refer to the model description Operation Z: Latching / No letter: Momentary LED color R G Y B W N LED voltage 6V / 12V / 24V / 110V / 220V / 380V IP degree P:IP65 / No letter means IP40 Accessory T35 protective cover</p>	
 <p>Flat head Metal Push button (can be illuminated) LAS0-K30- P/</p>	<p>Contact 11: 1NO1NC / 10: 1NO / 01: 1NC Other switch combinations refer to the model description Operation Z: Latching / No letter: Momentary IP degree P:IP65 / No letter means IP40 Accessory T35 protective cover</p>	


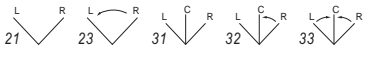
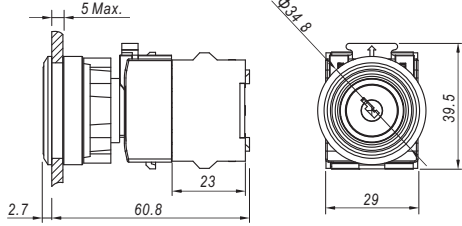

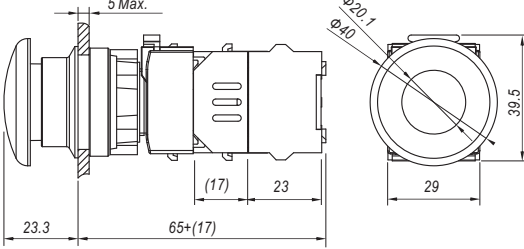

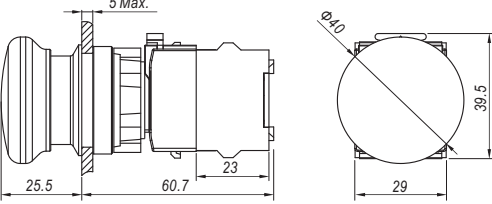

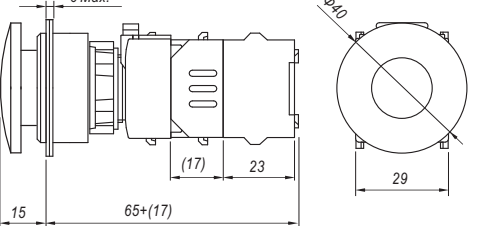

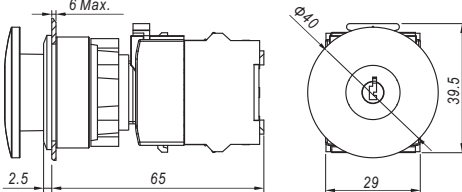


LAS0-K30

Product Picture	Description	Dimension
 <p>Flat head Metal pushbutton (Transparent Ring can be illuminated) LAS0-K30- EA/ / /</p>	<p>Contact 11: 1NO1NC / 10: 1NO / 01: 1NC Other switch combinations refer to the model description</p> <p>Operation Z: Latching / No letter: Momentary</p> <p>LED color R G Y B W</p> <p>LED voltage 6V / 12V / 24V / 110V / 220V / 380V</p> <p>IP degree P:IP65 / No letter means IP40</p> <p>Accessory T35 protective cover</p>	
 <p>Flat head Metal pushbutton (Ring can be illuminated) LAS0-K30- EB/ / /</p>	<p>Contact 11: 1NO1NC / 10: 1NO / 01: 1NC Other switch combinations refer to the model description</p> <p>Operation Z: Latching / No letter: Momentary</p> <p>LED color R G Y B W</p> <p>LED voltage 6V / 12V / 24V / 110V / 220V / 380V</p> <p>IP degree P:IP65 / No letter means IP40</p> <p>Accessory T35 protective cover</p>	
 <p>Selector Switch LAS0-K30- X/ / /</p>	<p>Contact 11: 1NO1NC / 20: 2NO / 02: 2NC Other switch combinations refer to the model description</p> <p>Operation  (32 Default right momentary, left momentary can be customized) Contact, pls refer to "contact on/off chart"</p> <p>LED color R G N</p> <p>IP degree P:IP65(only maintain type) / No letter means IP40</p> <p>Accessory T35 protective cover</p>	
 <p>Lever Switch LAS0-K30- XB/ / /</p>	<p>Contact 11: 1NO1NC / 20: 2NO / 02: 2NC Other switch combinations refer to the model description</p> <p>Operation  (32 Default right momentary, left momentary can be customized) Contact, pls refer to "contact on/off chart"</p> <p>LED color R G N</p> <p>IP degree P:IP65(only maintain type) / No letter means IP40</p> <p>Accessory T35 protective cover</p>	
 <p>D Type Selector Switch LAS0-K30- XD/ / /</p>	<p>Contact 11: 1NO1NC / 20: 2NO / 02: 2NC Other switch combinations refer to the model description</p> <p>Operation  (32 Default right momentary, left momentary can be customized) Contact, pls refer to "contact on/off chart"</p> <p>IP degree P:IP65(only maintain type) / No letter means IP40</p> <p>Accessory T35 protective cover</p>	


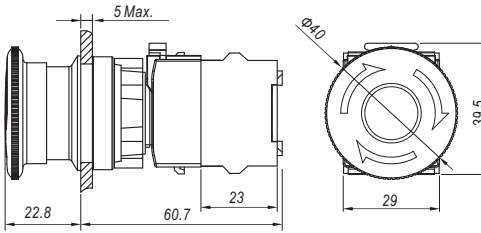

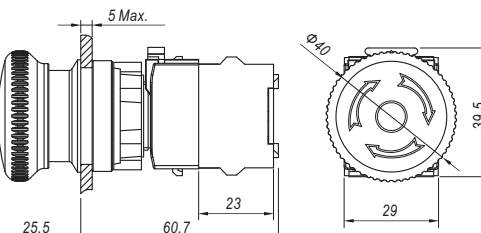

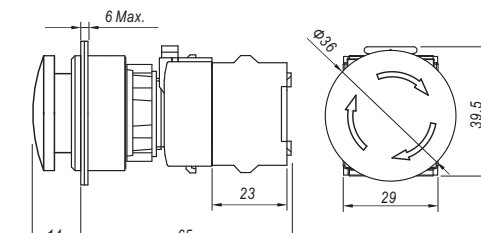


LAS0-K30

Product Picture	Description	Dimension
 <p>Key-lock Switch LAS0-K30- YA/ ● /</p>	<p>Contact 11: 1NO1NC / 20: 2NO / 02: 2NC Other switch combinations refer to the model description</p> <p>Operation  (32 Default right momentary, left momentary can be customized) Contact, pls refer to "contact on/off chart"</p> <p>IP degree P:IP65(only maintain type) / No letter means IP40</p> <p>Accessory T35 protective cover</p>	
 <p>A Type Illuminated Mushroom LAS0-K30- MA/ / /</p>	<p>Contact 11: 1NO1NC / 10: 1NO / 01: 1NC Other switch combinations refer to the model description</p> <p>LED color R G</p> <p>LED voltage 6V / 12V / 24V / 110V / 220V / 380V</p> <p>IP degree P:IP65 / No letter means IP40</p> <p>Accessory T35 protective cover</p>	
 <p>B Type Mushroom LAS0-K30- MB/</p>	<p>Contact 11: 1NO1NC / 10: 1NO / 01: 1NC Other switch combinations refer to the model description</p> <p>Operation Z: Latching / No letter: Momentary</p> <p>IP degree P:IP65 / No letter means IP40</p> <p>Accessory T35 protective cover</p>	
 <p>C Type Mushroom LAS0-K30- MC/ /</p>	<p>Contact 11: 1NO1NC / 10: 1NO / 01: 1NC Other switch combinations refer to the model description</p> <p>Operation Z: Latching / No letter: Momentary</p> <p>LED color R G Y</p> <p>IP degree P:IP65 / No letter means IP40</p> <p>Accessory T35 protective cover</p>	
 <p>Emergency stop Key-lock Switch LAS0-K30- YTS</p>	<p>Contact 11: 1NO1NC / 10: 1NO / 01: 1NC Other switch combinations refer to the model description</p> <p>IP degree IP40</p> <p>Accessory T35 protective cover</p> <p>Press to lock, key to unlock</p>	


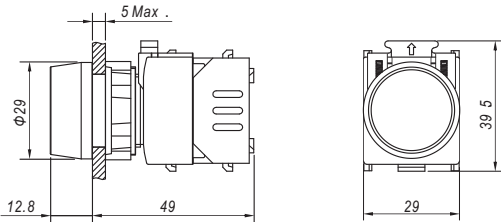

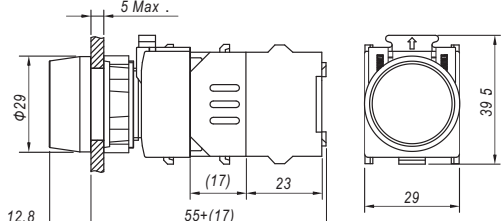
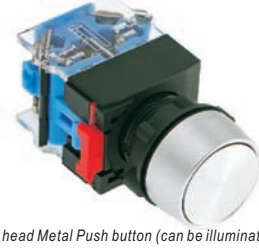
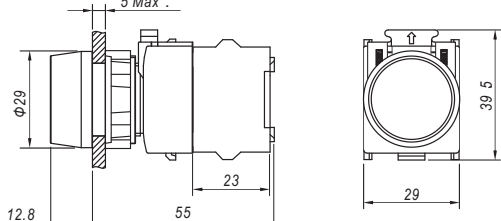

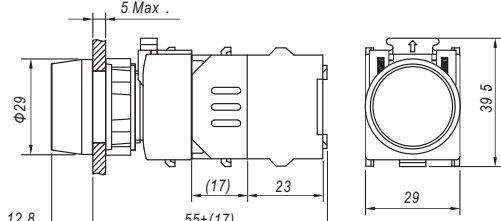

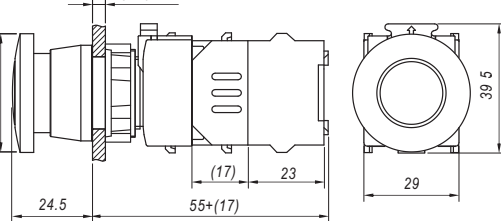


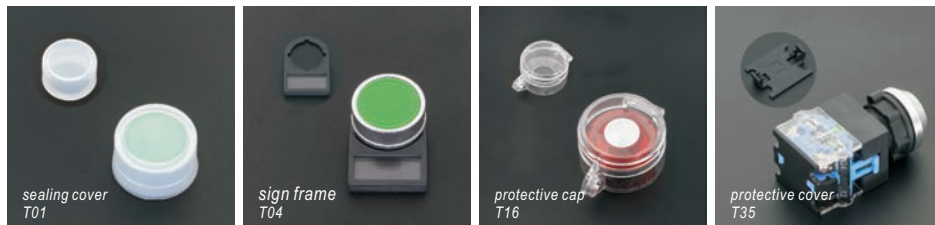
LAS0-K30

Product Picture	Description	Dimension
 <p>Emergency stop switch LAS0-K30- TSA</p>	<p>Contact 11: 1NO1NC / 10: 1NO / 02: 2NC Other switch combinations refer to the model description IP degree IP40 Accessory T35 protective cover</p>	
 <p>Metal head Emergency stop switch LAS0-K30- TSC</p>	<p>Contact 11: 1NO1NC / 10: 1NO / 02: 2NC Other switch combinations refer to the model description IP degree IP40 Accessory T35 protective cover</p>	
 <p>Emergency stop switch LAS0-K30- TSD</p>	<p>Contact 11: 1NO1NC / 10: 1NO / 02: 2NC Other switch combinations refer to the model description IP degree IP40 Accessory T35 protective cover</p>	


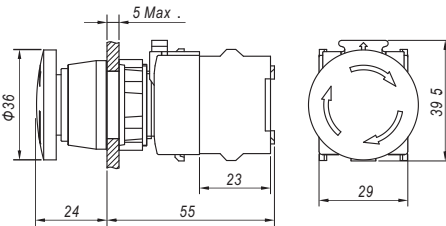

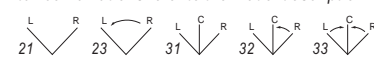
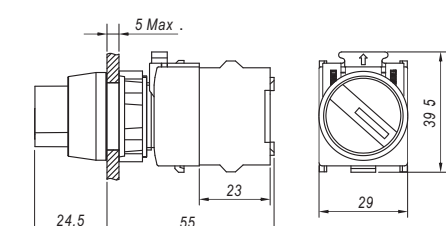

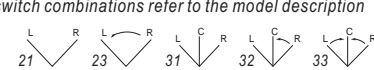
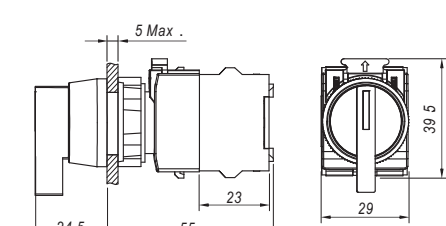

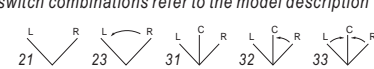
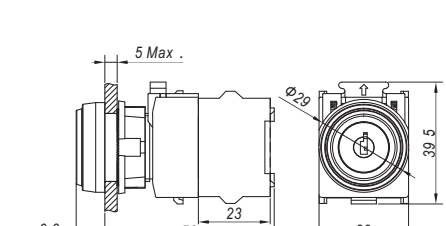


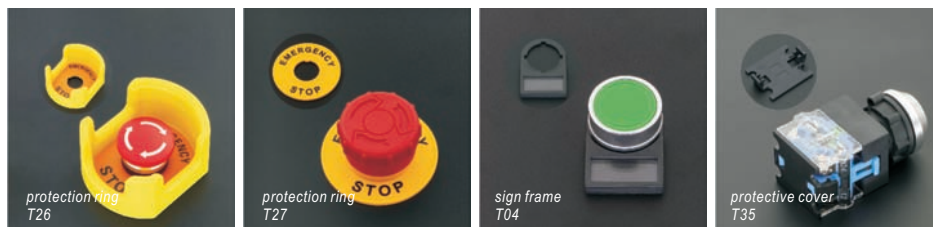
LAS0-A3

Product Picture	Description	Dimension
 <p>Pilot Lamp LAS0-A3Y-D/ /</p>	<p>LED color R G Y B W LED voltage 6V / 12V / 24V / 110V / 220V / 380V IP degree IP40 Accessory T01 sealing cover / T04 sign frame</p>	
 <p>Round Flat head Push button (can be illuminated) LAS0-A3Y- ■ / /</p>	<p>Contact 11: 1NO1NC / 10: 1NO / 01: 1NC Other switch combinations refer to the model description Operation Z: Latching / No letter: Momentary LED color R G Y B W N LED voltage 6V / 12V / 24V / 110V / 220V / 380V IP degree IP40 Accessory T01 sealing cover / T04 sign frame / T35 protective cover</p>	
 <p>Flat head Metal Push button (can be illuminated) LAS0-A3Y- ■ P</p>	<p>Contact 11: 1NO1NC / 10: 1NO / 01: 1NC Other switch combinations refer to the model description Operation Z: Latching / No letter: Momentary IP degree IP40 Accessory T01 sealing cover / T04 sign frame / T35 protective cover</p>	
 <p>Transparent Ring illuminated Push button LAS0-A3Y- ■ EA / /</p>	<p>Contact 11: 1NO1NC / 10: 1NO / 01: 1NC Other switch combinations refer to the model description Operation Z: Latching / No letter: Momentary LED color R G Y B W N LED voltage 6V / 12V / 24V / 110V / 220V / 380V IP degree IP40 Accessory T01 sealing cover / T04 sign frame / T35 protective cover</p>	
 <p>Mushroom (can be illuminated) LAS0-A3Y- ■ M / /</p>	<p>Contact 11: 1NO1NC / 10: 1NO / 01: 1NC Other switch combinations refer to the model description Operation Z: Latching / No letter: Momentary LED color R G Y LED voltage 6V / 12V / 24V / 110V / 220V IP degree IP40 Accessory T35 protective cover / Protective cap T16</p>	


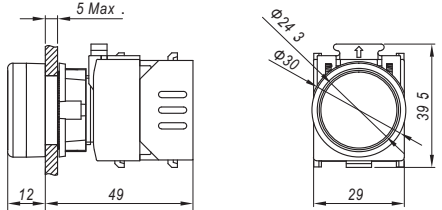

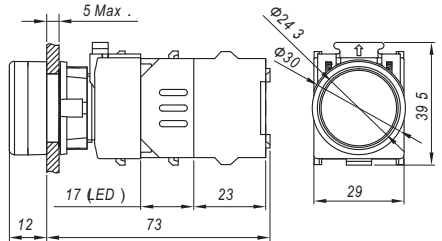

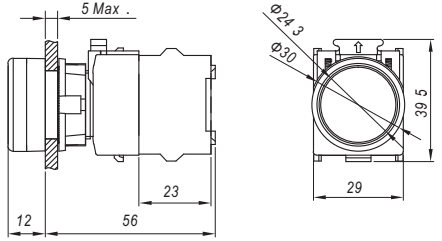

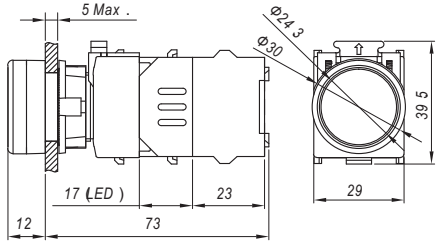

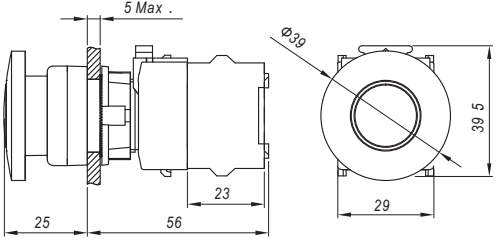


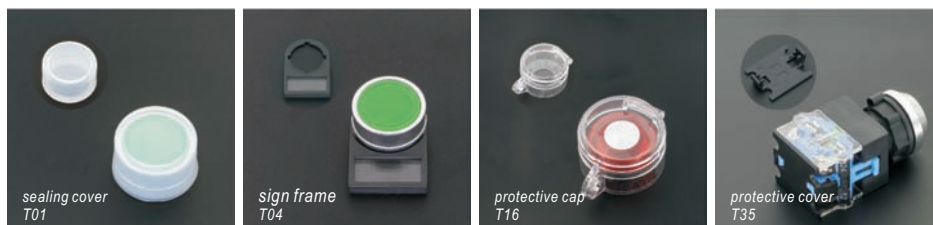
LAS0-A3

Product Picture	Description	Dimension
 <p>Emergency stop switch LAS0-A3Y- TS</p>	<p>Contact 11: 1NO1NC / 10: 1NO / 02: 2NC Other switch combinations refer to the model description</p> <p>IP degree IP40</p> <p>Accessory Warning ring T14-2260 / T35 protective cover / T26 protection ring</p>	
 <p>Selector Switch LAS0-A3Y- XI /</p>	<p>Contact 11: 1NO1NC / 20: 2NO / 02: 2NC Other switch combinations refer to the model description</p> <p>Operation  (32 Default right momentary, left momentary can be customized) Contact, pls refer to "contact on/off chart"</p> <p>LED color R G N</p> <p>IP degree IP40</p> <p>Accessory T35 protective cover / T04 sign frame</p>	
 <p>Selector switch with handle LAS0-A3Y- XB /</p>	<p>Contact 11: 1NO1NC / 20: 2NO / 02: 2NC Other switch combinations refer to the model description</p> <p>Operation  (32 Default right momentary, left momentary can be customized) Contact, pls refer to "contact on/off chart"</p> <p>LED color R G N</p> <p>IP degree IP40</p> <p>Accessory T35 protective cover / T04 sign frame</p>	
 <p>Key-lock Switch LAS0-A3Y- Y / ● /</p>	<p>Contact 11: 1NO1NC / 20: 2NO / 02: 2NC Other switch combinations refer to the model description</p> <p>Operation  (32 Default right momentary, left momentary can be customized) Contact, pls refer to "contact on/off chart"</p> <p>Unmovable Position of Key Refer to Notes</p> <p>IP degree P:IP65(only maintain type) / No letter means IP40 Can be customized with keys that cannot be pulled out at the specified location</p> <p>Accessory T35 protective cover / T04 sign frame</p>	

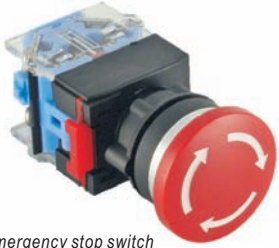
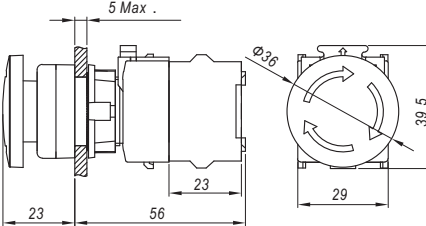

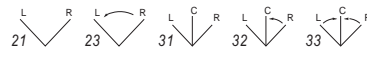
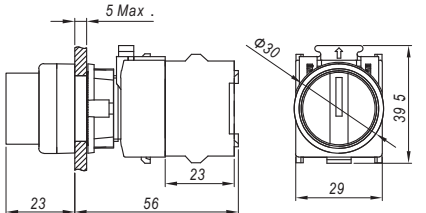



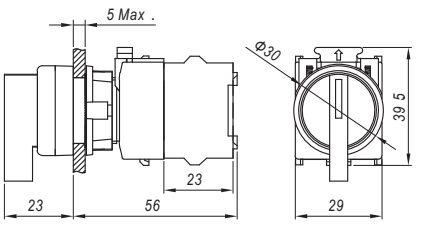

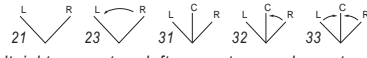
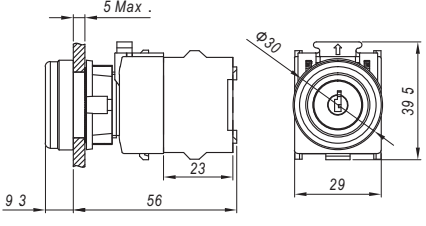


LAS0-B3

Product Picture	Description	Dimension
 <p>Pilot Lamp LAS0-B3Y-D/ /</p>	<p>LED color R G Y B W</p> <p>LED voltage 6V / 12V / 24V / 110V / 220V / 380V</p> <p>IP degree IP40</p> <p>Accessory T04 sign frame</p>	
 <p>Round Flat head Push button (can be illuminated) LAS0-B3Y- ■ / /</p>	<p>Contact 11: 1NO1NC / 10: 1NO / 01: 1NC Other switch combinations refer to the model description</p> <p>Operation Z: Latching / No letter: Momentary</p> <p>LED color R G Y B W N</p> <p>LED voltage 6V / 12V / 24V / 110V / 220V / 380V</p> <p>IP degree IP40</p> <p>Accessory T04 sign frame / T35 protective cover</p>	
 <p>Flat head Metal Push button LAS0-B3Y- ■ P</p>	<p>Contact 11: 1NO1NC / 10: 1NO / 01: 1NC Other switch combinations refer to the model description</p> <p>Operation Z: Latching / No letter: Momentary</p> <p>IP degree IP40</p> <p>Accessory T04 sign frame / T35 protective cover</p>	
 <p>Ring illuminated Push button LAS0-B3Y- ■ EA/ /</p>	<p>Contact 11: 1NO1NC / 10: 1NO / 01: 1NC Other switch combinations refer to the model description</p> <p>Operation Z: Latching / No letter: Momentary</p> <p>LED color R G Y B W N</p> <p>LED voltage 6V / 12V / 24V / 110V / 220V / 380V</p> <p>IP degree IP40</p> <p>Accessory T04 sign frame / T35 protective cover</p>	
 <p>Mushroom (can be illuminated) LAS0-B3Y- ■ M/ /</p>	<p>Contact 11: 1NO1NC / 10: 1NO / 01: 1NC Other switch combinations refer to the model description</p> <p>Operation Z: Latching / No letter: Momentary</p> <p>LED color R G Y</p> <p>LED voltage 6V / 12V / 24V / 110V / 220V / 380V</p> <p>IP degree IP40</p> <p>Accessory T35 protective cover / Protective cap T16</p>	

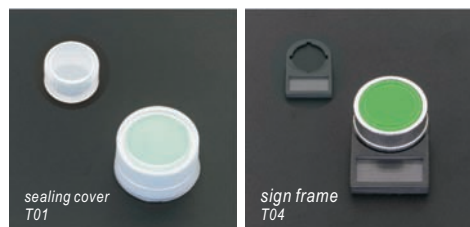


LAS0-B3


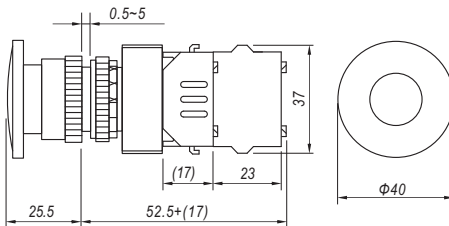


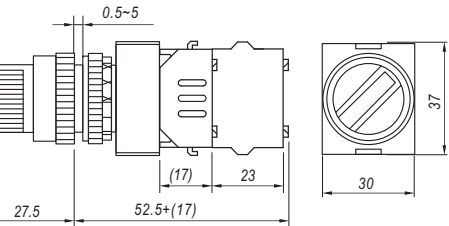


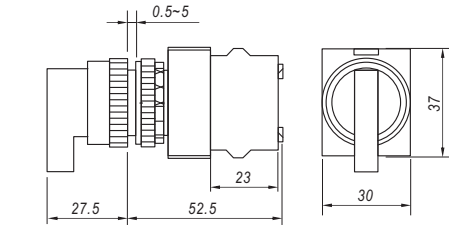

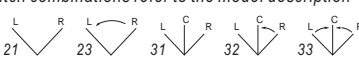
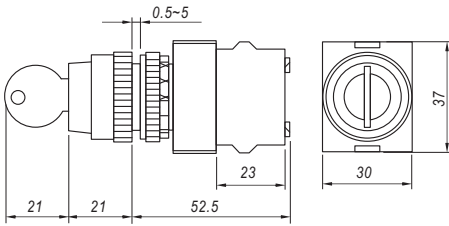

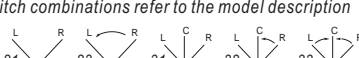
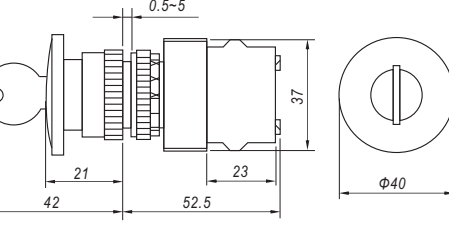
Product Picture	Description	Dimension
 <p>Emergency stop switch LAS0-B3Y- TS</p>	<p>Contact 11: 1NO1NC / 10: 1NO / 02: 2NC Other switch combinations refer to the model description</p> <p>IP degree IP40</p> <p>Accessory Warning ring T14-2260 / T35 protective cover / T26 protection ring</p>	
 <p>Selector Switch LAS0-B3Y- X/</p>	<p>Contact 11: 1NO1NC / 20: 2NO / 02: 2NC Other switch combinations refer to the model description</p> <p>Operation </p> <p>(32 Default right momentary, left momentary can be customized) Contact, pls refer to "contact on/off chart"</p> <p>IP degree IP40</p> <p>Accessory T04 sign frame / T35 protective cover</p>	
 <p>Selector switch with handle LAS0-B3Y- XB/ /</p>	<p>Contact 11: 1NO1NC / 20: 2NO / 02: 2NC Other switch combinations refer to the model description</p> <p>Operation </p> <p>(32 Default right momentary, left momentary can be customized) Contact, pls refer to "contact on/off chart"</p> <p>LED color </p> <p>IP degree IP40</p> <p>Accessory T35 protective cover / T04 sign frame</p>	
 <p>Key-lock Switch LAS0-B3Y- Y/ /</p>	<p>Contact 11: 1NO1NC / 20: 2NO / 02: 2NC Other switch combinations refer to the model description</p> <p>Operation </p> <p>(32 Default right momentary, left momentary can be customized) Contact, pls refer to "contact on/off chart"</p> <p>Unmovable Position of Key Refer to Notes</p> <p>IP degree P:IP65(only maintain type) / No letter means IP40</p> <p>Can be customized with keys that cannot be pulled out at the specified location</p> <p>Accessory T35 protective cover / T04 sign frame</p>	

LAS0-Q

Product Picture	Description	Dimension
<p>Fast Installation Pilot Lamp (can be illuminated) LAS0-Q-DS/ /</p>	<p>LED color R G Y B W</p> <p>LED voltage 6V / 12V / 24V / 110V / 220V / 380V</p> <p>IP degree IP40</p> <p>Accessory T01 sealing cover / T04 sign frame</p>	
<p>Pilot Lamp LAS0-Q-D/ /</p>	<p>LED color R G Y B W</p> <p>LED voltage 6V / 12V / 24V / 110V / 220V / 380V</p> <p>IP degree IP40</p> <p>Accessory T04 sign frame</p>	
<p>Fast Installation Flat Head (can be illuminated) LAS0-Q-S/ /</p>	<p>Contact 11: 1NO1NC / 10: 1NO / 01: 1NC Other switch combinations refer to the model description</p> <p>Operation Z: Latching / No letter: Momentary</p> <p>LED color R G Y B W N</p> <p>LED voltage 6V / 12V / 24V / 110V / 220V / 380V</p> <p>IP degree IP40</p> <p>Accessory T01 sealing cover / T04 sign frame / T35 protective cover</p>	
<p>Flat Head (can be illuminated) LAS0-Q- / /</p>	<p>Contact 11: 1NO1NC / 10: 1NO / 01: 1NC Other switch combinations refer to the model description</p> <p>Operation Z: Latching / No letter: Momentary</p> <p>LED color R G Y B W N</p> <p>LED voltage 6V / 12V / 24V / 110V / 220V / 380V</p> <p>IP degree IP40</p> <p>Accessory T01 sealing cover / T04 sign frame / T35 protective cover</p>	
<p>Long Head (can be illuminated) LAS0-Q-G/ /</p>	<p>Contact 11: 1NO1NC / 10: 1NO / 01: 1NC Other switch combinations refer to the model description</p> <p>Operation Z: Latching / No letter: Momentary</p> <p>LED color R G Y B W N</p> <p>LED voltage 6V / 12V / 24V / 110V / 220V / 380V</p> <p>IP degree IP40</p> <p>Accessory T04 sign frame / T35 protective cover</p>	




LAS0-Q

Product Picture	Description	Dimension
 <p>Mushroom Push button (Can be illuminated) LAS0-Q- M/ /</p>	<p>Contact 11: 1NO1NC / 10: 1NO / 01: 1NC Other switch combinations refer to the model description</p> <p>Operation Z: Latching / No letter: Momentary</p> <p>LED color R G Y</p> <p>LED voltage 6V / 12V / 24V / 110V / 220V / 380V</p> <p>IP degree IP40</p> <p>Accessory T35 protective cover/ Protective cap T16</p>	
 <p>Selector Switch (can be illuminated) LAS0-Q- X/ / /</p>	<p>Contact 11: 1NO1NC / 20: 2NO / 02: 2NC Other switch combinations refer to the model description</p> <p>Operation  (32 Default right momentary, left momentary can be customized) Contact, pls refer to "contact on/off chart"</p> <p>LED color R G N</p> <p>LED voltage 6V / 12V / 24V / 110V / 220V / 380V</p> <p>IP degree IP40</p> <p>Accessory T35 protective cover / T04 sign frame</p>	
 <p>Lever Switch LAS0-Q- XB/ /</p>	<p>Contact 11: 1NO1NC / 20: 2NO / 02: 2NC Other switch combinations refer to the model description</p> <p>Operation  (32 Default right momentary, left momentary can be customized) Contact, pls refer to "contact on/off chart"</p> <p>LED color R G N</p> <p>LED voltage 6V / 12V / 24V / 110V / 220V / 380V</p> <p>IP degree IP40</p> <p>Accessory T35 protective cover / T04 sign frame</p>	
 <p>Key-lock Switch LAS0-Q- Y/ ^ / ~ / ~</p>	<p>Contact 11: 1NO1NC / 20: 2NO / 02: 2NC Other switch combinations refer to the model description</p> <p>Operation  (32 Default right momentary, left momentary can be customized) Contact, pls refer to "contact on/off chart"</p> <p>IP degree P: IP65 (only maintain type) / No letter means IP40 Can be customized with keys that cannot be pulled out at the specified location</p> <p>Accessory T04 sign frame / T35 protective cover</p>	
 <p>Mushroom Key-lock Switch LAS0-Q- YM/ ^ / ~ / ~</p>	<p>Contact 11: 1NO1NC / 20: 2NO / 02: 2NC Other switch combinations refer to the model description</p> <p>Operation  (32 Default right momentary, left momentary can be customized) Contact, pls refer to "contact on/off chart"</p> <p>IP degree P: IP65 (only maintain type) / No letter means IP40 Can be customized with keys that cannot be pulled out at the specified location</p> <p>Accessory T04 sign frame / T35 protective cover</p>	



LAS0-Q

Product Picture	Description	Dimension
 <p>Emergency stop switch (Can be illuminated) LAS0-Q- TS/</p>	<p>Contact 11: 1NO1NC / 10: 1NO / 01: 1NC Other switch combinations refer to the model description</p> <p>IP degree IP40</p> <p>Head dimension $\Phi 30\text{mm}$, $\Phi 40\text{mm}$</p> <p>Accessory Warning ring T14-2260 / T35 protective cover/ T26 protection ring</p>	