

LAS1-A Pushbutton Switch

Characteristic

LAS1-A series P(W) type products have complete range, wide market application, some products have three types of head shape: round, square and rectangular (see details from content page). The pushbutton and signal light use veneering installation, the front frame is only 2mm higher over panel, is fashionable and goodlooking.

Specs Including pushbutton, signal light, emergency-stop switch, key-lock switch, selector switch and mushroom switch; mounting hole diameter is $\Phi 16\text{mm}$, $\Phi 22\text{mm}$, $21 \times 21\text{mm}$ (square) and $21 \times 27\text{mm}$ (rectangular).

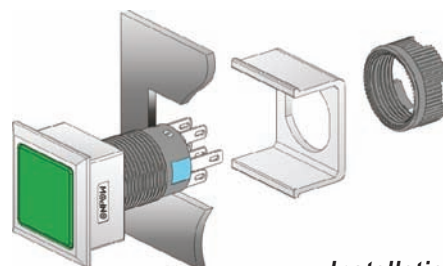
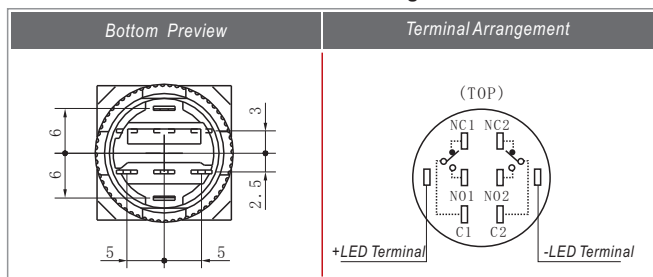
Performance Stable function, low contact resistance, strong insulation resistance and anti-vibration etc. Meet the standards of IEC60947-5-1, GB/T14048.5 etc.

Structure The switch element is "fast-motion". Each element contains 1NO+1NC contacts, each pushbutton could use 2 pcs elements at most.

Protective The standard is IP40, some can be customized for IP65.



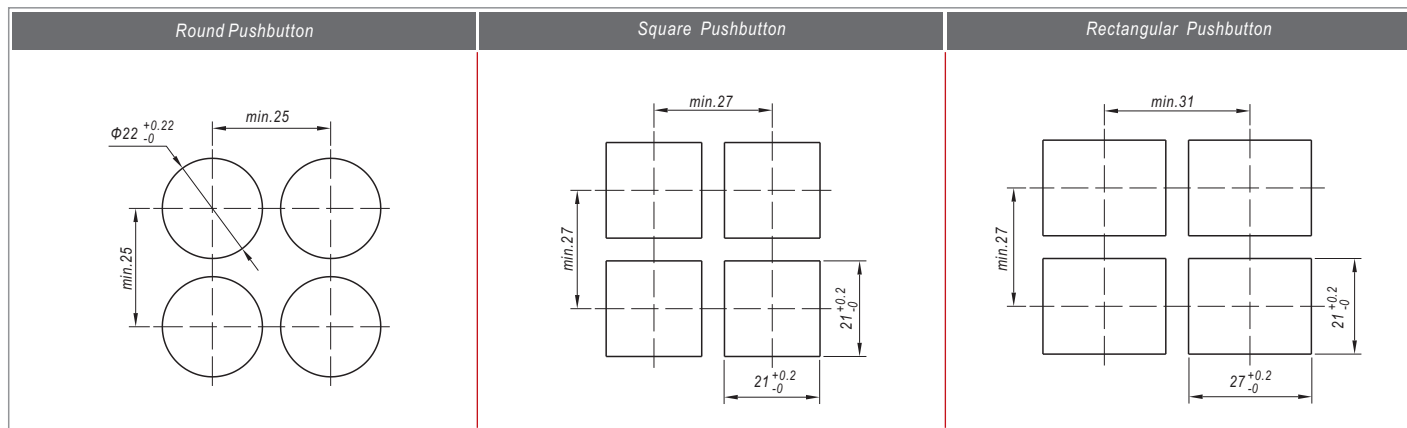
Bottom Preview and Terminal Arrangement



Installation Diagram

Ultrathin, could be customized for symbol, illuminated pushbutton
Thickness over the panel is only 2mm

Installation Dimension

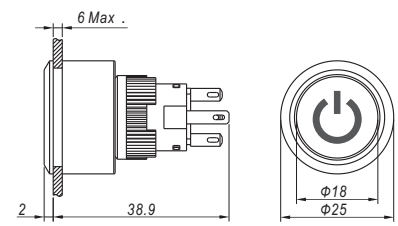


LAS1-A Pushbutton Switch

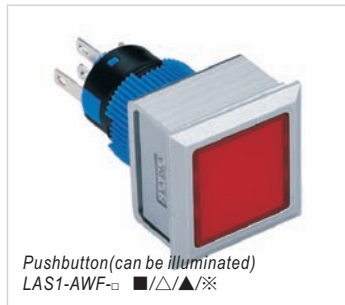
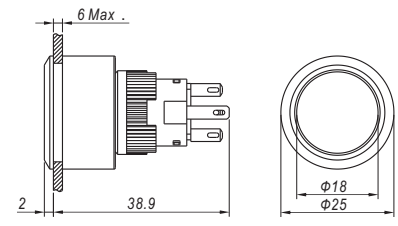
Product Cutline	Specification	Dimension
-----------------	---------------	-----------



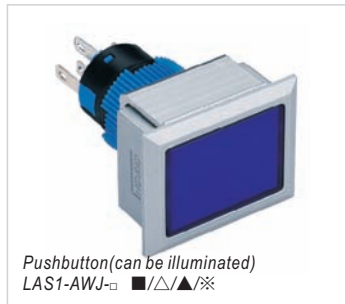
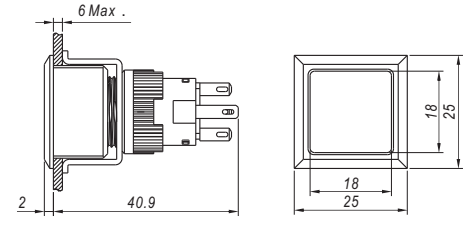
Contact: 11: 1NO1NC / 22: 2NO2NC
 Operation Type No letter means momentary / Z: Latching
 Color △ **R G Y B W N**
 LED Voltage ▲ 6V / 12V / 24V / 110V / 220V
 Protection Degree ※ No letter means IP40 / P:IP65
 Accessory Scutcheon Frame T04 / Switch Guard T21-22 / Solder Terminal S04 / PCB Terminal S05



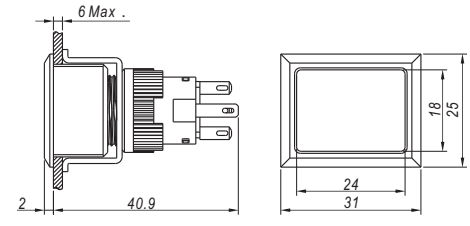
Contact: 11: 1NO1NC / 22: 2NO2NC
 Operation Type No letter means momentary / Z: Latching
 Color △ **R G Y B W N**
 LED Voltage ▲ 6V / 12V / 24V / 110V / 220V
 Protection Degree ※ No letter means IP40 / P:IP65
 Accessory Scutcheon Frame T04 / Switch Guard T21-22 / Solder Terminal S04 / PCB Terminal S05



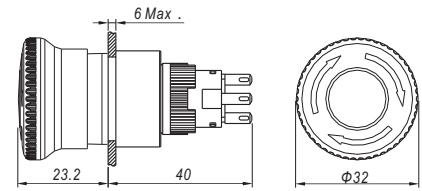
Contact: 11: 1NO1NC / 22: 2NO2NC
 Operation Type No letter means momentary / Z: Latching
 Color △ **R G Y B W N**
 LED Voltage ▲ 6V / 12V / 24V / 110V / 220V
 Protection Degree ※ No letter means IP40 / P:IP65
 Accessory Switch Guard T22 / Solder Terminal S04 / PCB Terminal S05



Contact: 11: 1NO1NC / 22: 2NO2NC
 Operation Type No letter means momentary / Z: Latching
 Color △ **R G Y B W N**
 LED Voltage ▲ 6V / 12V / 24V / 110V / 220V
 Protection Degree ※ No letter means IP40 / P:IP65
 Accessory Switch Guard T23 / Solder Terminal S04 / PCB Terminal S05



Contact: 11: 1NO1NC / 22: 2NO2NC
 Protection Degree ※ No letter means IP40 / P:IP65
 Accessory Emergency Stop Switch Guard T26



LAS1-A Pushbutton Switch

Product Cutline	Specification	Dimension
-----------------	---------------	-----------



Contact□ 11: 1NO1NC / 22: 2NO2NC

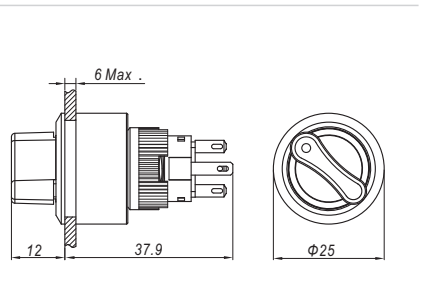
Operation Type◇◆

Color△ R G Y B W N

LED Voltage▲ 6V / 12V / 24V / 110V / 220V

Protection Degree※ No letter means IP40 / P:IP65 (only for maintain type)

Accessory Scutcheon Frame T04 / Solder Terminal S04 / PCB Terminal S05



Contact□ 11: 1NO1NC / 22: 2NO2NC

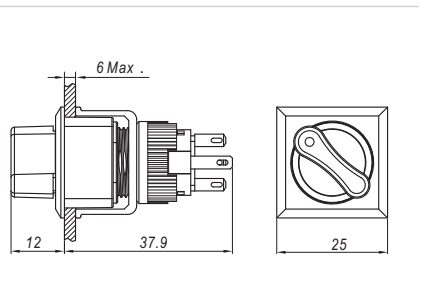
Operation Type◇◆

Color△ R G Y B W N

LED Voltage▲ 6V / 12V / 24V / 110V / 220V

Protection Degree※ No letter means IP40 / P:IP65 (only for maintain type)

Accessory Solder Terminal S04 / PCB Terminal S05



Contact□ 11: 1NO1NC / 22: 2NO2NC

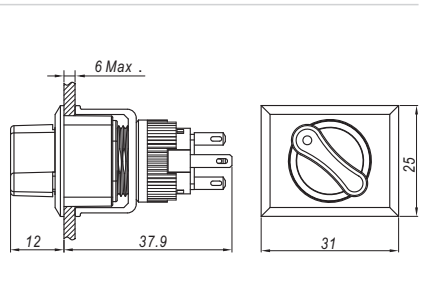
Operation Type◇◆

Color△ R G Y B W N

LED Voltage▲ 6V / 12V / 24V / 110V / 220V

Protection Degree※ No letter means IP40 / P:IP65 (only for maintain type)

Accessory Solder Terminal S04 / PCB Terminal S05



Contact State of Selector and Key-lock Switch	Switch Type	90° 2 Position		45° 3 Position
	Operation Position	1NO1NC	2NO2NC	2NO2NC
	↻	NO / NC	left contact / right contact	left contact / right contact
↑	NO / NC	left contact / right contact	left contact / right contact	left contact / right contact
↻	NO / NC	left contact / right contact	left contact / right contact	left contact / right contact



LAS1-A Pushbutton Switch

Product Outline	Specification	Dimension
-----------------	---------------	-----------



Contact □ 11: 1NO1NC / 22: 2NO2NC

Operation Type ◇◆ L R L R L C R L C R
21 23 31 33

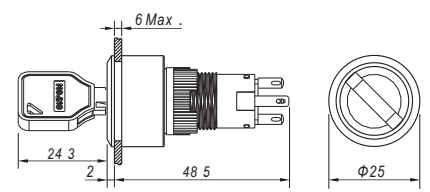
Unmovable Position of Key ● Refer to Notes

Color △ R G Y B W

LED Voltage ▲ 6V / 12V / 24V / 110V / 220V

Protection Degree ※ No letter means IP40 / P:IP65 (only for maintain type)

Accessory Scutcheon Frame T04 / Solder Terminal S04 / PCB Terminal S05



Contact □ 11: 1NO1NC / 22: 2NO2NC

Operation Type ◇◆ L R L R L C R L C R
21 23 31 33

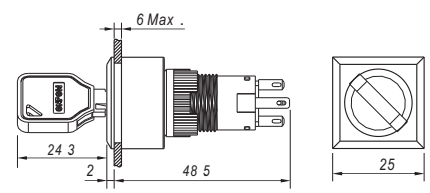
Unmovable Position of Key ● Refer to Notes

Color △ R G Y B W

LED Voltage ▲ 6V / 12V / 24V / 110V / 220V

Protection Degree ※ No letter means IP40 / P:IP65 (only for maintain type)

Accessory Solder Terminal S04 / PCB Terminal S05



Contact □ 11: 1NO1NC / 22: 2NO2NC

Operation Type ◇◆ L R L R L C R L C R
21 23 31 33

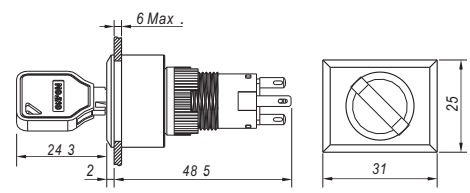
Unmovable Position of Key ● Refer to Notes

Color △ R G Y B W

LED Voltage ▲ 6V / 12V / 24V / 110V / 220V

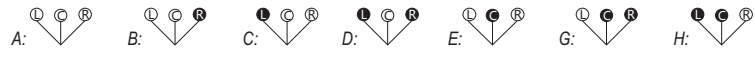
Protection Degree ※ No letter means IP40 / P:IP65 (only for maintain type)

Accessory Solder Terminal S04 / PCB Terminal S05



Notes

- ⊙ ● : Unmovable Position of Key
No letter means type A
- ⊙ Provide 2 keys, need rotate into position when using.



Contact State of Selector and Key-lock Switch	Switch Type	90° 2 Position		45° 3 Position	
		1NO1NC	2NO2NC	2NO2NC	
	Operation Position				
↻		NO / C1 / NC	left contact / NO / C1 / NC right contact / NO / C1 / NC	left contact / NO / C1 / NC	right contact / NO / C1 / NC
↑				left contact / NO / C1 / NC	right contact / NO / C1 / NC
↻		NO / C1 / NC	left contact / NO / C1 / NC right contact / NO / C1 / NC	left contact / NO / C1 / NC	right contact / NO / C1 / NC



LAS1-A Pushbutton Switch

Black Frame Product (can refer to LAS1-AW silvery frame product to choose part number)

Part Number	LAS1-APY-□ ■/△/▲/※	LAS1-APF-□ ■/△/▲/※	LAS1-APJ-□ ■/△/▲/※
Shape			
Part Number	LAS1-APY-□ XB/◇◆/△/▲/※	LAS1-APF-□ XB/◇◆/△/▲/※	LAS1-APJ-□ XB/◇◆/△/▲/※
Shape			
Part Number	LAS1-AWY-□ Y/◇◆●/※	LAS1-AWF-□ Y/◇◆●/※	LAS1-AWJ-□ Y/◇◆●/※
Shape			

LAS1-A22 Short-body Emergency Stop Switch

Shape	Contact	Part Number	Dimension and Explanation
Round 	1NC	LAS1-A22Y-01TSB LAS1-A22Y-01TSB/R/▲	 Terminal Arrangement Protection Degree: IP65 Can be illuminated, LED Color: red LED Voltage (▲): 6V/12V/24V/110V/220V
	2NC	LAS1-A22Y-02TSB LAS1-A22Y-02TSB/R/▲	
	1NO1NC	LAS1-A22Y-11TSB LAS1-A22Y-11TSB/R/▲	
Round 	1NC	LAS1-A22Y-01TSB/L LAS1-A22Y-01TSB/L/R/▲	 Wire Length: 30cm Protection Degree: IP65 Can be illuminated, LED Color: red LED Voltage (▲): 6V/12V/24V/110V/220V
	2NC	LAS1-A22Y-02TSB/L LAS1-A22Y-02TSB/L/R/▲	
	1NO1NC	LAS1-A22Y-11TSB/L LAS1-A22Y-11TSB/L/R/▲	