

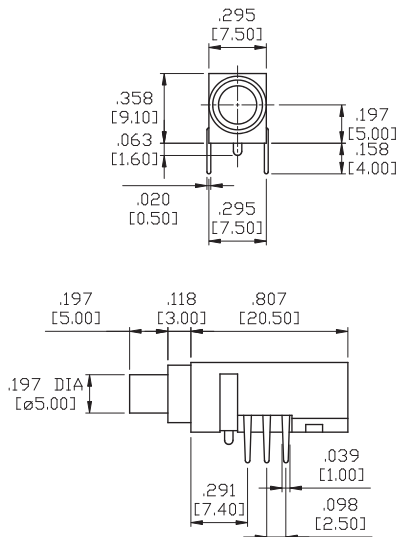
SPECIFICATIONS:

RATING: 50V DC 200mA max.
 CONTACT RESISTANCE: <30m-ohms.
 INSULATION RESISTANCE: >100M-ohms DC 500V.
 OPERATING FORCE: 200±100gf.
 AMBIENT TEMPERATURE: -20°C to +70°C.
 ELECTRICAL LIFE: 100,000 cycles.

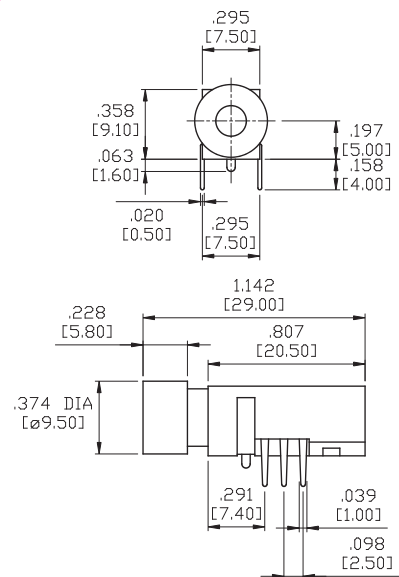
Specifications and Dimensions subject to change

Toggle
 Rocker
 Slide
 Pushbutton
 AV
 Rotary
 Tact
 Touch Key
 Miscellaneous

LS-A



LS-S



LED COLORS

Code	LED Color
R	Red
G	Green
Y	Yellow
B	Blue

KNOB COLORS

Code	LED Color
B	Black

HOW TO ORDER

