

**FEATURES**

- ※2.0mm stroke
- ※Through hole or SMT
- ※1P2T, 2P2T models

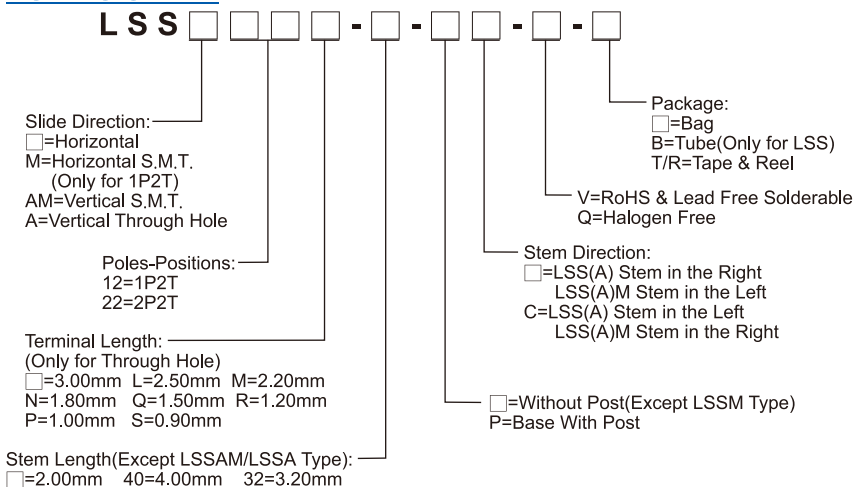
**APPLICATION**

- ※Remote control
- ※Consumer electronics
- ※Instrumentations

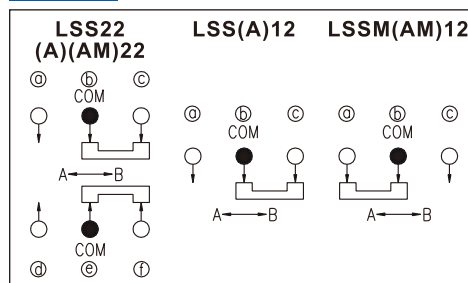
**SPECIFICATION**

Contact Rating	0.1A, 12V DC
Contact Resistance	60mΩ max.
Insulation Resistance	100MΩ min. 500V DC
Dielectric Strength	500V AC/1 minute
Operating Force	200±150gf
Travel	2mm
Operating Life	10,000 cycles
Operating Temp.	-10°C ~ +60°C
Storage Temp.	-20°C ~ +70°C

**HOW TO ORDER**



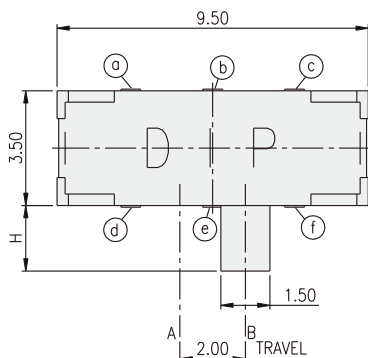
**CIRCUIT**



**PACKAGE**

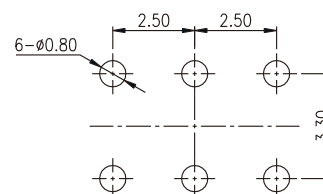
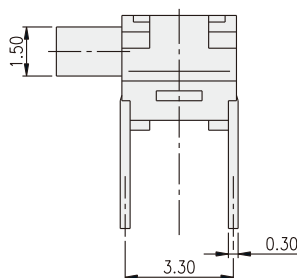
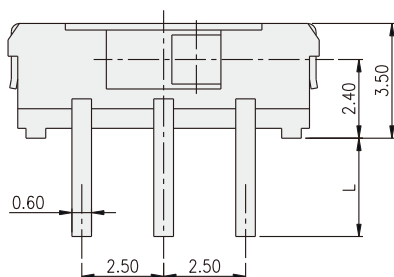
- <Bag>  
LSS(A)12, 22: 1000 pcs
- <Tube>  
LSS□2, LSS□2M, LSS□2L: 50 pcs
- <Tape & Reel>  
LSS12, 22-N,P,S,Q,R: 900 pcs  
LSS12, 22-□,M,L: 800 pcs  
LSS12, 12-40-P, 22□-40: 800 pcs  
LSSM12-P, LSSM12-40-P: 800 pcs  
LSSM12: 1000 pcs  
LSSA(M)12, 22: 600 pcs  
LSSA12, 22M,L-P: 600 pcs  
LSSA12, 22R-P: 500 pcs

**LSS22**



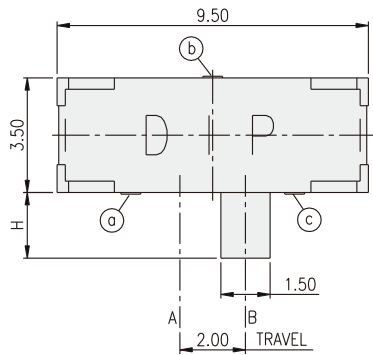
PART NO.	H
LSS22	2.0
LSS22-32	3.20
LSS22-40	4.0

PART NO.	L
LSS22	3.0
LSS22S	0.90
LSS22P	1.0
LSS22R	1.20
LSS22Q	1.50
LSS22N	1.80
LSS22M	2.20
LSS22L	2.50



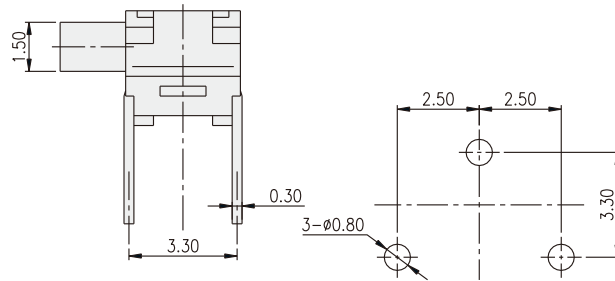
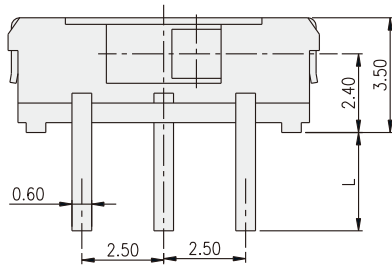
P.C.B. LAYOUT

**LSS12**



PART NO.	H
LSS12	2.00
LSS12-32	3.20
LSS12-40	4.00

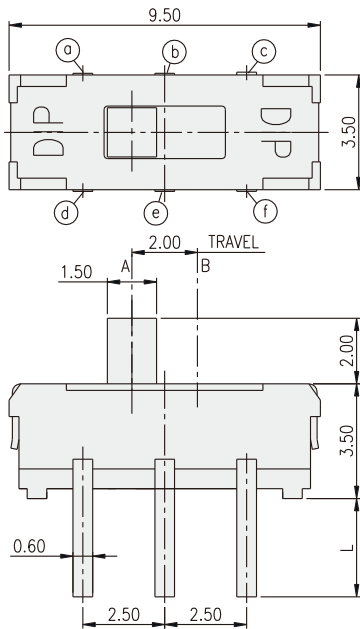
PART NO.	L
LSS12	3.0
LSS12S	0.90
LSS12P	1.0
LSS12R	1.20
LSS12Q	1.50
LSS12N	1.80
LSS12M	2.20
LSS12L	2.50



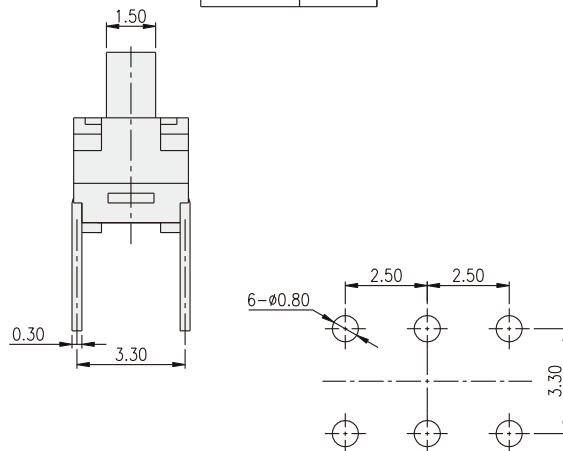
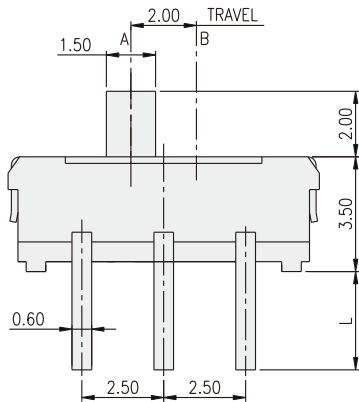
P.C.B. LAYOUT

SLIDE SWITCH

**LSSA22**

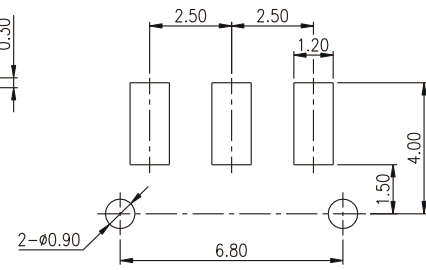
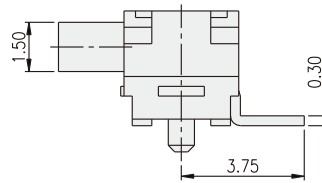
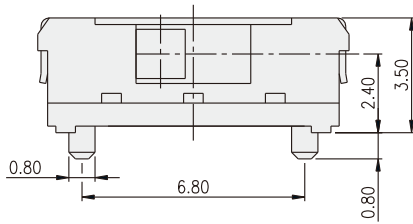
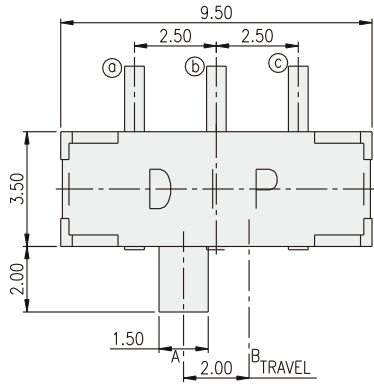


PART NO.	L
LSSA22	3.0
LSSA22S	0.90
LSSA22P	1.0
LSSA22R	1.20
LSSA22Q	1.50
LSSA22N	1.80
LSSA22M	2.20
LSSA22L	2.50



P.C.B. LAYOUT

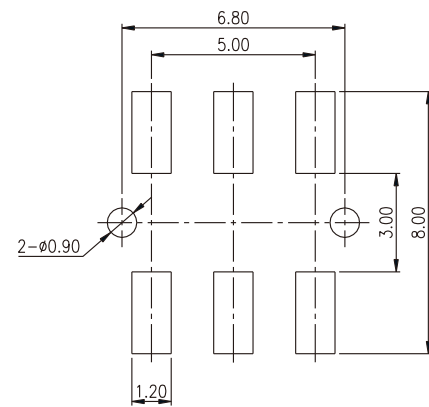
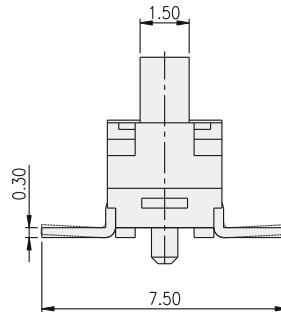
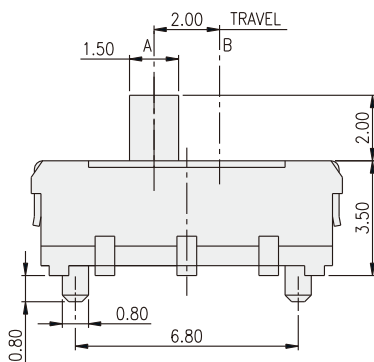
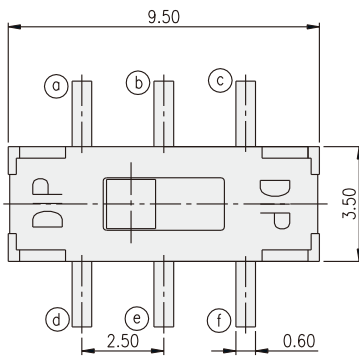
**LSSM12-P**



P.C.B. LAYOUT

SLIDE SWITCH

**LSSAM22-P**



P.C.B. LAYOUT