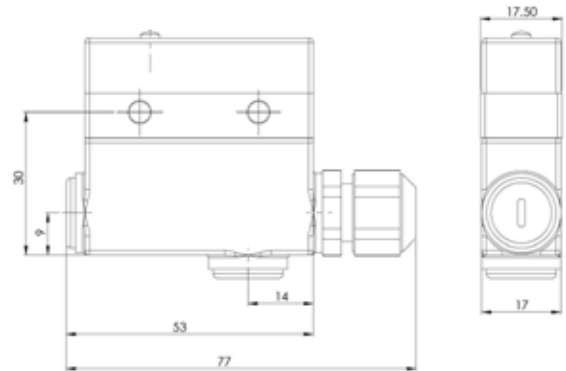
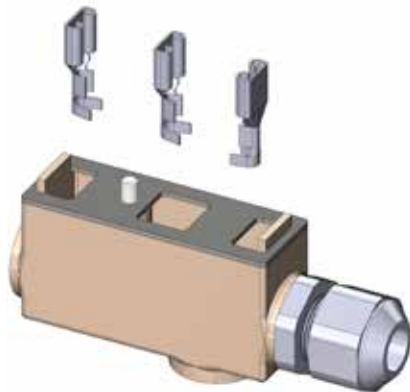


# Protection Cover MP110-Z

The protective cover MP110-Z(1) with its cable gland PG7(4) guarantees the contacts a degree of protection. A sealing gasket(2) is compressed by tightening the fixing screw M3(3).

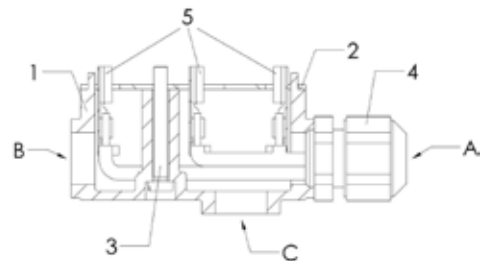
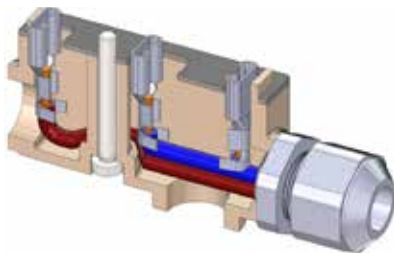
There are 3 possible cable outlets, A,B or C. The electrical connection is made with 3 clips 6.35 x 0.8 mm(5) which are crimped to the cable by the end-user.

**MP110-Z**  
Protection Cover IP64



Series MP110

**MP110-Z**  
Protective Cover IP64 - wired

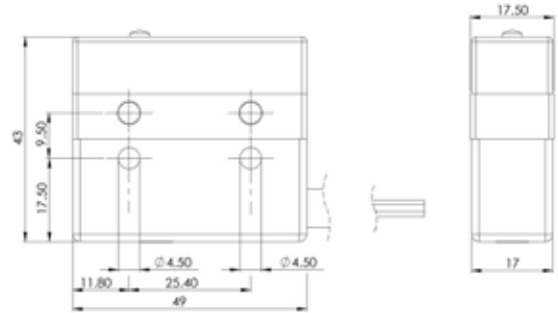


# Plug-in protection MP100../..

The plug-in socket MP100 with its sealing gasket (1) guarantees a contact protection IP67. The mounting and tightening is made with a screw M3 (2) housed in the socket. The socket is supplied with a cable of your choice directly soldered and potted into the housing.

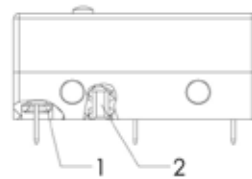
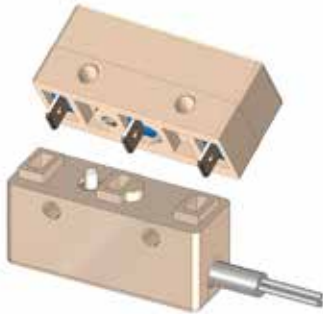
## MP100-../..

Plug-in protection IP67



## MP100-../..

Plug-in protection IP67 - fixation



## Cable Options

### MP100-K(L)/10

Polyvinyl Chloride Cable    3 x 1 mm<sup>2</sup>    -20°C to +105°C    400VAC 10A

### MP100-K(L)/15

Polyvinyl Chloride Cable    3 x 1.5 mm<sup>2</sup>    -20°C to +105°C    250VAC 15A

### MP100-SI(L)/10

Silicone Cable    3 x 1 mm<sup>2</sup>    -40°C to +130°C    400VAC 10A

### MP100-SI(L)/15

Silicone Cable    3 x 1.5 mm<sup>2</sup>    -40°C to +130°C    250VAC 15A

### MP100-PUR(L)/10

Polyurethane Cable    3 x 1 mm<sup>2</sup>    -40°C to +90°C    400VAC 10A

### MP100-PUR(L)/15

Polyurethane Cable    3 x 1.5 mm<sup>2</sup>    -40°C to +90°C    250VAC 15A

**L:** Length of the cable in meters(m)

## Color code of wires

	Actuator Code	Circuit	Color
<b>Direct Action</b>	0		MP100-K: 1 / Brown - 2 / Black - 4 / Blue MP100-SI: 1 / Red - 2 / White - 4 / Blue MP100-PUR: 1 / Red - 2 / White - 4 / Blue
	1S29		
	1A		
	1A58		
	1BL		
	2A		
	4AL		
	7A40		
	7A120		
	7AC		
7AF/63.5/50			
8AL40			
<b>Indirect Action</b>	3A		MP100-K: 1 / Brown - 2 / Black - 4 / Blue MP100-SI: 1 / Red - 2 / White - 4 / Blue MP100-PUR: 1 / Red - 2 / White - 4 / Blue
	3AS		
	5AL		
	6AL		



# Ordering Information

	MP11	0	-	5AL	+	MP100-K2/10
<b>Contact</b>						
0:	Silver Contact					
1:	Gold Contact					
<b>Actuator</b>						
0:	Basic switch - Pin Button					
1S29:	Telescopic					
1A:	Telescopic with Short Thread					
1A58:	Telescopic with Thread					
1BL:	Telescopic with Roller					
2A:	Simple Lever - Direct Action					
3A:	Simple Lever - Indirect Action					
3AS:	Simple Lever - Indirect Action					
4AL:	Simple Lever with Roller - Direct Action					
5AL:	Simple Lever with Roller - Indirect Action					
6AL:	Simple Lever with Bending Roller - Indirect Action					
7A40:	Simple Adjustable Lever - Direct Action					
7A120:	Simple Adjustable Lever - Direct Action					
7AC:	Simple Adjustable Lever with Wire – Direct Action					
7AF /63.5/50:	Simple Lever with Floater - Direct Action					
8AL40:	Simple Adjustable Lever with Roller - Direct Action					
<b>Optional</b>						
MP110-Z	Protection Cover IP64					
MP100-K../..	Plug-in Polyvinyl Chloride Cable L(m), optional 10 or 15A					
MP100-SI../..	Plug-in Silicone Cable L(m), optional 10 or 15A					
MP100-PUR../..	Plug-in Polyurethane Cable L(m), optional 10 or 15A					

Series MP110