

Microswitch - SERIES MP215/225



Series MP215/225

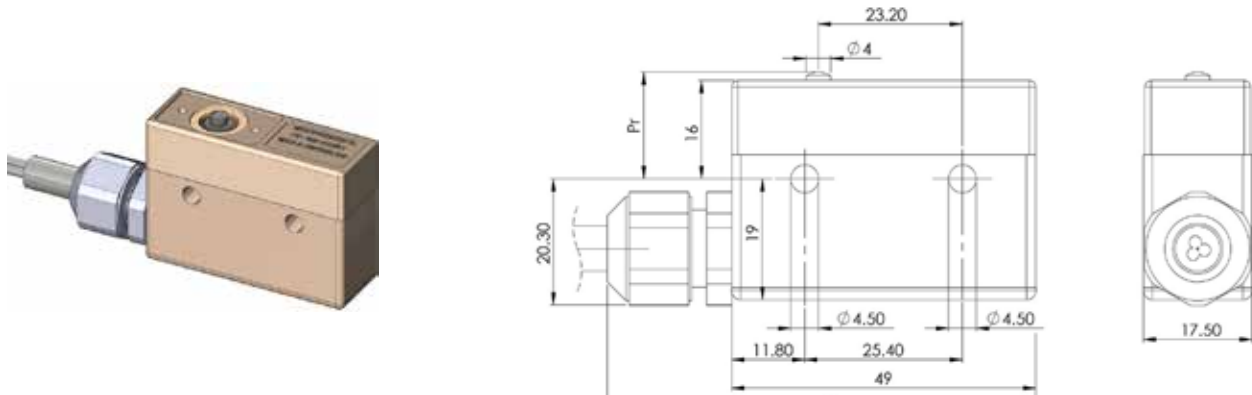
MP215/225

The MP215/225 is an IP68 sealed snap action microswitch with potted cable for very demanding industrial applications. With its strengthened cable outlet and increased actuating force it can operate completely immersed in liquids. All actuators are stainless steel for maximum protection in hazardous industrial environments.

The switch can be supplied with two different electrical circuits. The MP215 version is a single pole double throw microswitch for a power rating of 400VAC/10A. In its MP225 version a single pole double break circuit can double-break a power line of up to 250VAC/10A.



Description



MP215

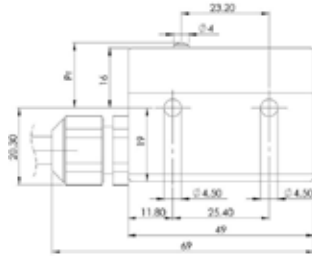
MP225

Approval	EN 61058-1 400VAC/10A 50'000 cycles Resistive load	EN 61058-1 250VAC/10A 50'000 cycles Resistive load
Housing	Plastic reinforced with glass fiber (PBT)	Plastic reinforced with glass fiber (PBT)
Pin Button	PC	PC
Membrane	Fluorosilicone - other optional materials available	Fluorosilicone - other optional materials available
Switching Circuit	Change over - snap action with blade spring in copper/beryllium	Double Break - snap action with blade spring in copper/beryllium
Contact	Silver - optional gold	Silver - optional gold
Connection	Cable with PG PVCPG -20°C to +100°C PURPG -20°C to +90°C SIPG -20°C to +100°C Other material optional	Cable with PG PVCPG -20°C to +100°C PURPG -20°C to +90°C SIPG -20°C to +100°C Other material optional
Actuator	Stainless steel	Stainless steel
Degree of Protection	Housing IP68 (2bar) Connection IP68 (2bar)	Housing IP68 (2bar) Connection IP68 (2bar)
Class of Protection	II	II
Micro-switching	μ	μ
Distance between Contacts	0.80 mm	0.80 mm
Dimensions	DIN 41 635, form E 49 x 35 x 17.5 mm	DIN 41 635, form E 49 x 35 x 17.5 mm
Actuation Force	12N	12N
Differential Travel	0.10 mm	0.10 mm
Temperature Range	EN 61058-1 -40°C to +130°C Cable selection may reduce temperature range	EN 61058-1 -40°C to +130°C Cable selection may reduce temperature range
Mechanical Life	50 x 10 ⁶ cycles	50 x 10 ⁶ cycles

Series MP215/225

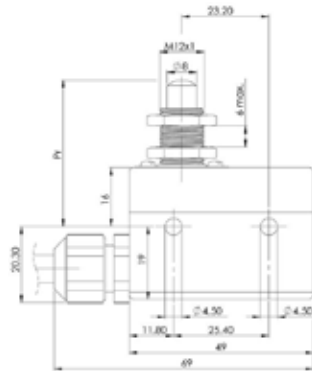
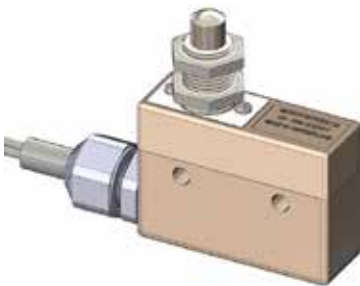
Actuator

Type 0: Basic switch - Pin Button



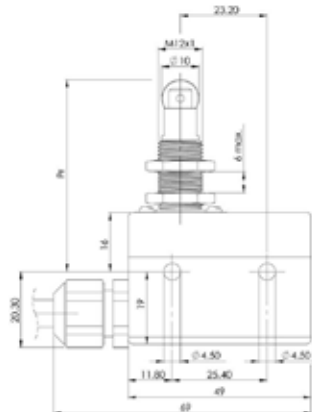
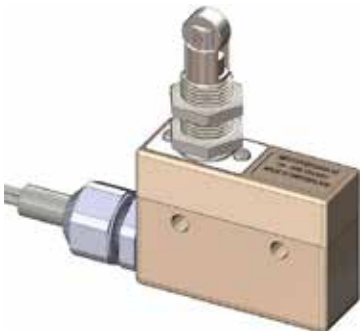
Actuating Force Fa max. (N)	12.5
Release Force Fr min. (N)	6
Free Position Pr (mm)	17.4 ± 0.5
Operating Position Pa (mm)	16.5 ± 0.3
Over-Travel sr min. (mm)	0.25
Differential Travel sd max. (mm)	0.10

Type 1ACEA: Telescopic with Short Thread



Actuating Force Fa max. (N)	12.5
Release Force Fr min. (N)	6
Free Position Pr (mm)	39.1 ± 0.6
Operating Position Pa (mm)	38.3 ± 0.3
Over-Travel sr min. (mm)	5.0
Differential Travel sd max. (mm)	0.12

Type 1BLACEA: Telescopic with Stainless steel Roller



Actuating Force Fa max. (N)	12.5
Release Force Fr min. (N)	6
Free Position Pr (mm)	51.4 ± 0.6
Operating Position Pa (mm)	50.4 ± 0.3
Over-Travel sr min. (mm)	5.0
Differential Travel sd max. (mm)	0.12

Series MP215/225

Electrical Circuit

	Actuator Code	Circuit	Color
Direct Action	0 1ACEA 1BLACEA	MP215	PVC / PVCU: 1 / Brown - 2 / Black - 4 / Blue SI: 1 / Red - 2 / White - 4 / Blue PUR: 1 / Red - 2 / White - 4 / Blue
		MP225	PVC/ PVCU: 11/12 - Brown ; 23/24 - Blue SI: 11/12 - White ; 23/24 - Blue PUR: 11/12 - Brown ; 23/24 - Blue

Ordering Information

	MP2	1	5	-	1ACEA	/	3	100	/	200	SIPG
Circuit											
1:	Single Break										
2:	Double Break										
Actuator											
0:	Basic switch - Pin Button										
1ACEA:	Telescopic with Short Thread										
1BLACEA:	Telescopic with Stainless steel Roller										
Number of conductors											
3:	MP215 Single Break										
4:	MP225 Double Break										
Cross section											
100:	1.00 mm ² - 400VAC/10A (MP215); 250VAC/10A (MP225)										
Cable length in centimeters (cm)											
Cable material											
PVCPG:	Polyvinyl Chloride -20°C to +100°C										
PVCUPG:	Polyvinyl Chloride -20°C to +100°C (Approval UL)										
PURPG:	Polyurethane -20°C to +90°C										
SIPG:	Silicone -20°C to +100°C										

Series MP215/225