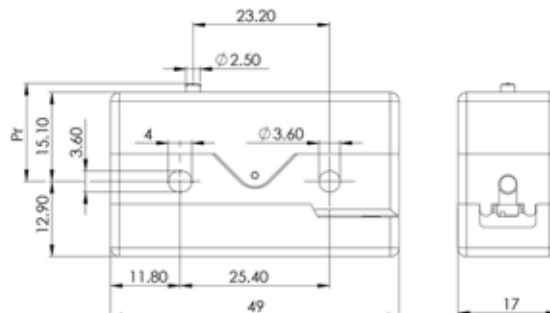
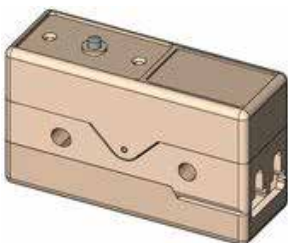


Protection Cover

A protection cover is available to protect the user from any contact with the terminals of the MP40 under power. The protection cover MP40-Z is fixed to the MP40 housing by means of a screw Parker.

Series MP40

MP40-0 + MP40-Z





Ordering Information

MP 4 0 - 5AL + MP40-Z

Housing

- 4:** Screw Terminals
- 5:** Solder Lugs

Contact

- 0:** Silver Contact
- 1:** Gold Contact

Actuator

- 0:** Basic switch - Pin Button
- 1S21** Telescopic Built-In
- 1SP21** Telescopic Built-In with Protective Sleeve
- 1S29:** Telescopic
- 1A:** Telescopic with Short Thread
- 1A58:** Telescopic with Thread
- 1BL:** Telescopic with Roller
- 2A:** Simple Lever - Direct Action
- 3A:** Simple Lever - Indirect Action
- 4AL:** Simple Lever with Roller - Direct Action
- 5AL:** Simple Lever with Roller - Indirect Action
- 6AL:** Simple Lever with Bending Roller - Indirect Action
- 7A40:** Simple Adjustable Lever - Direct Action
- 7AC:** Simple Adjustable Lever with Wire – Direct Action
- 8AL40:** Simple Adjustable Lever with Roller - Direct Action

Optional

- MP40-Z** Protection Cover

Series MP40