



DATA SHEET

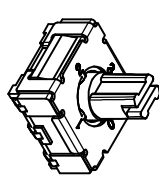
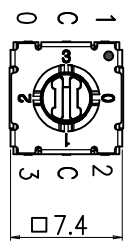
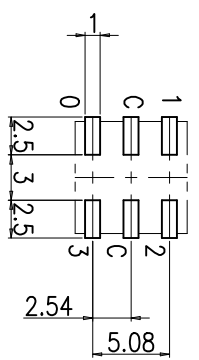
SUNGMUN CODE : MSKM-04J-TR
DESCRIPTION : MINI ROTARY DIP SWITCH



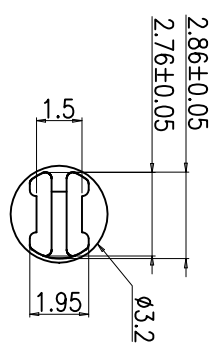
REV. NO.	DATE	REVISION	DR	CH	APP
△					

SPECIFICATION

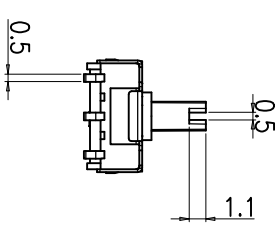
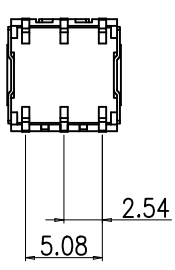
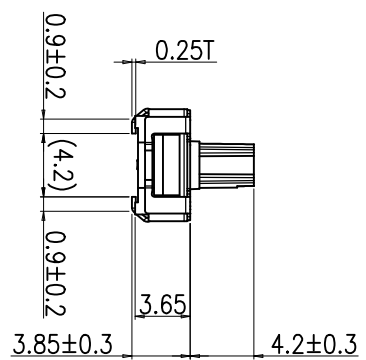
1. Rating : 100mA, DC 42V (Switching)
400mA, DC 42V (None-Switching)
2. Contact Resistance : 80mΩ Max
3. Insulation Resistance : 100MΩ Min at DC 250V
4. Operating Force : 120 ±30gf
5. Life cycle : 25,000 steps
6. Sealing : IP67 (Dust & Water proof)
7. Packing : 70pcs Tube / 600pcs Reel Packing



P.C.B DIMENSION (Top View)



ACTUATOR
SCALE : 2/1



Decimal Code					
04	C	0	1	2	3
P	0	●			0
o	1	●	●		1
t	2	●		●	2
i	3	●			3
n					

DRAW/DESIGNED		CHECKED		APPROVED		G.TOL		TITLE	
K.N KIM		W.J LEE		K.I LEE		UNIT		SM-MSKM-04J	
2023-10-13		2023-10-13		2023-10-13		mm		MODEL NO.	
DIN ISO-2768-1m						SCALE		MSKM-04J-01	
RANGES		TOLERANCE		SIZE		DRAW NO.		REV.	
0.5~3		±0.1		A4		MSKM-04J-01		01	
3~6		±0.1							
6~30		±0.2							
30~120		±0.3							
120~400		±0.5							



1. Style:

This specification describes "7.4X7.4 size of Mini Rotary Dip Switch" which is M series.

1.1 Operating / Storage Temperature Range : -60°C ~ +125°C

2. Rating:

2.1 None-Switching : 400 mA, DC 42V

2.2 Switching : 100 mA, DC 42V

3. Type of Actuation : Rotating

4. Electrical Characteristics

ITEM	DESCRIPTION	TEST CONDITIONS	REQUIREMENTS
4-1	Visual Examination	By visual examination check without any out pressure & testing.	There shall be no defects that affect the serviceability of the product.
4-2	Contact Resistance	① To be measured between the two terminals associated with each switch pole. ② Measurements shall be made with a 1kHz shall current contact resistance meter.	80mΩ max. (initial)
4-3	Insulation Resistance	250V DC	100 MΩ min.
4-4	Dielectric withstanding Voltage	250V AC(50Hz or 60Hz)shall be applied between all the adjacent terminal and between the terminal and the frame for 1 minute.	There shall be no breakdown or flashover.

5. Mechanical Characteristics

ITEM	DESCRIPTION	TEST CONDITIONS	REQUIREMENTS
5-1	Operation Force	Operating direction shall be clockwise or counter clockwise direction	120gf·cm ±30
5-2	Operation Life	Measurements shall be made following the test set forth below: 1)100mA, 42V DC resistive load 2)Rate of operation: 15~20 cycles/ minute 3)Step of operation: 25,000 steps	1)As shown in item 4-3,4-4 2)Contact Resistance: 200mΩ max 3)Final-after test

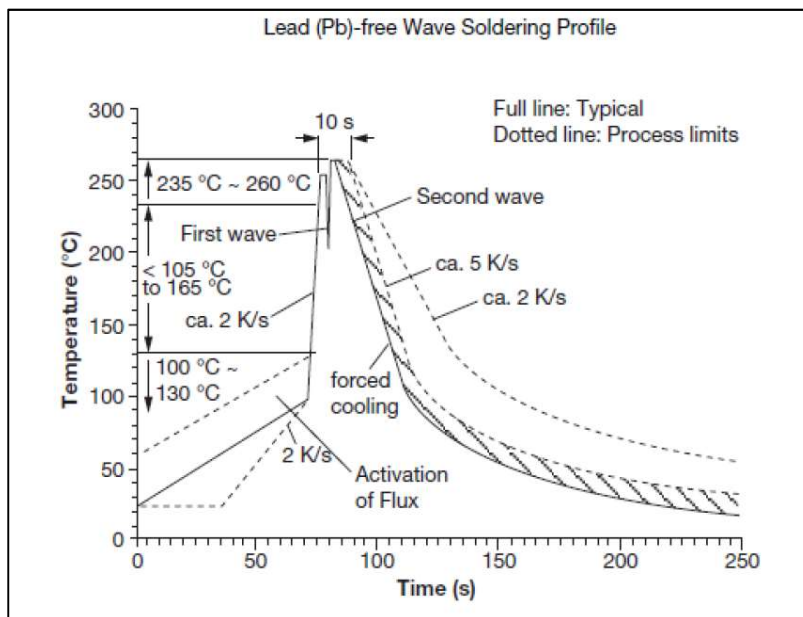
6. Environmental Characteristics

ITEM	DESCRIPTION	TEST CONDITIONS	REQUIREMENTS
6-1	Resistance Low Temperature	Following the test set forth below the sample shall be left in normal temperature and humidity conditions for an hour before measurements are made: 1)Temperature: -60°C ±3°C 2)Time: 96 hours	1)As shown in item 4-3, 4-4, 5-1 2)Contact Resistance: 200mΩ max
6-2	Resistance High Temperature	Following the test set forth below the sample shall be left in normal temperature and humidity conditions for an hour before measurements are made: 1)Temperature: 125°C ±2°C 2)Time: 96 hours	1)As shown in item 4-3, 4-4, 5-1 2)Contact Resistance: 200mΩ max
6-3	Resistance Humidity	Following the test set forth below the sample shall be left in normal temperature and humidity conditions for an hour before measurements are made: 1)Temperature: 40°C ±2°C 2)Relative humidity: 90~95% 3)Time: 96 hours	1)As shown in item 4-4, 5-1 2)Contact Resistance: 200mΩ max 3)Insulation Resistance: 10 MΩ min

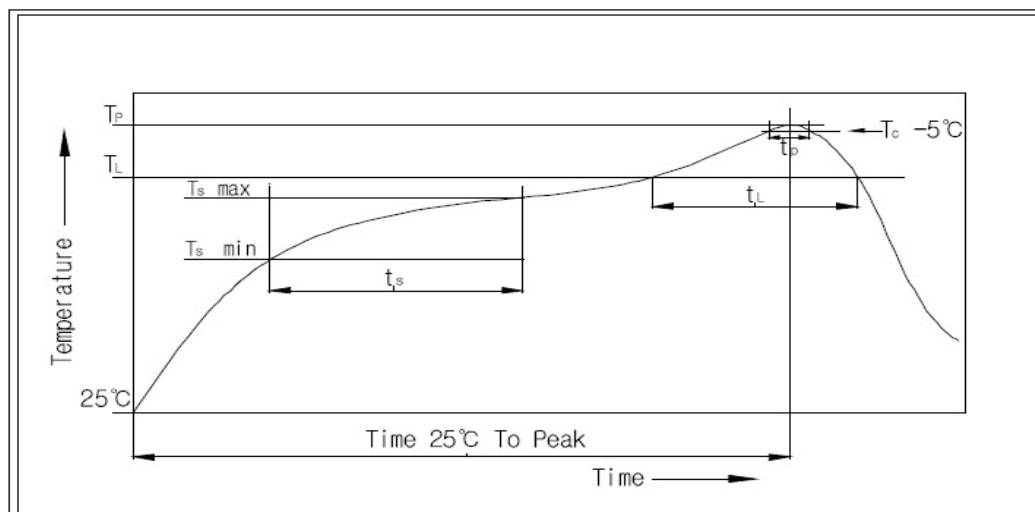
7. This item is "RoHS" Compliant

8. Manual Soldering : Max 350°C, 3 sec.

9. Wave Soldering Conditions:



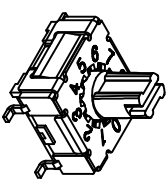
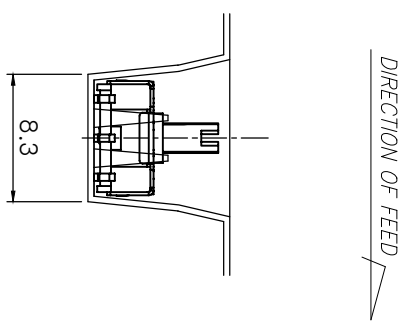
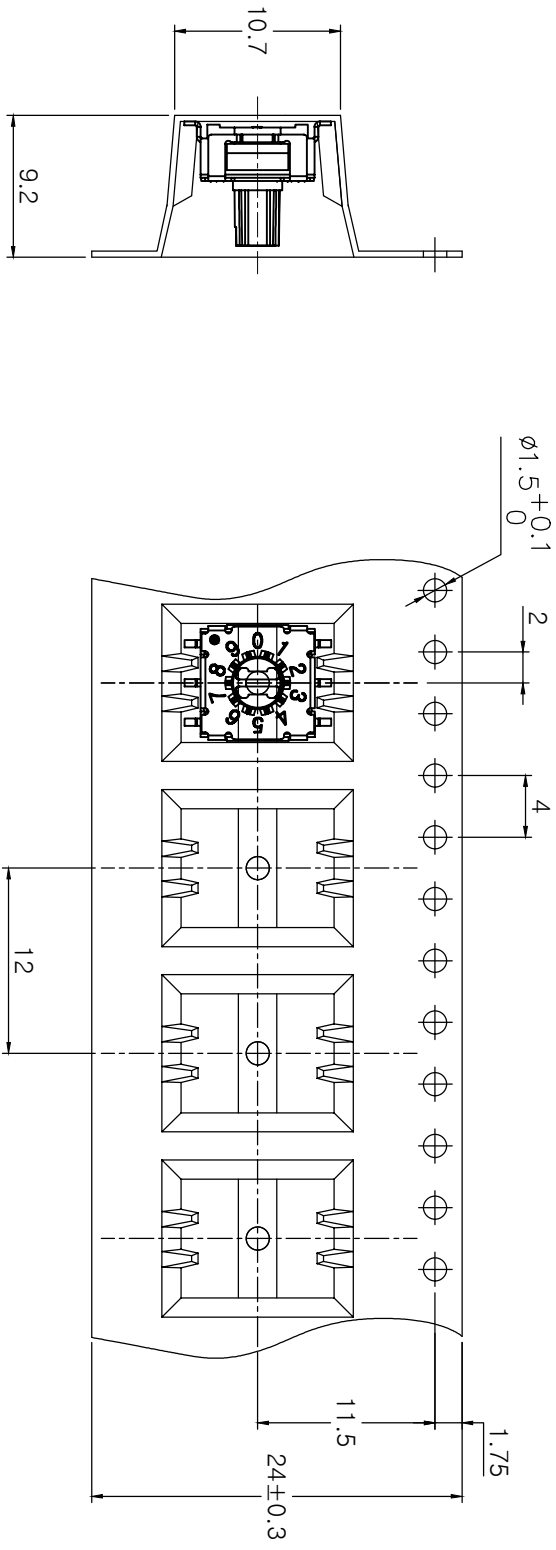
10. Reflow Soldering Conditions: (SMD type only)



10-1 Condition for Soldering

Profile Feature	Pb-Free Assembly
Average Ramp-UP Rate(Ts max to TP)	3°C/second max
Preheat	
- Temperature Min(Ts min)	150°C
- Temperature Max(Ts max)	200°C
- Time (ts min to ts max)	60-180seconds
Time maintained above:	
- Temperature (TL)	217°C
- Time (tL)	60-150seconds
Peak/Classification Temperature(TP)	260°C +0°C/ -5°C
Time within 5°C of actual Peak Temperature(TP)	Min 30 seconds
Ramp-Down Rate	6°C/sec max
Time 25°C to Peak Temperature	8 minutes max

MRK.	DATE	REVISION	SIGN
△			



Units(pcs)
600

DRAW/DESIGNED	CHECKED	APPROVED	UNIT	G.TOL	TITLE
H.S LEE	K.N KIM	W.J LEE	mm	± 0.3	M Series SC SMD Reel Packing
2022-11-14	2022-11-14	2022-11-14	SCALE	2:1	MODEL NO.
SUNGMUN ELECTRONICS CO.,LTD			SIZE	A4	TR-MSIS,KIO-00SJUD-01
			REV.	01	TR-MSIS,KIO-00SCJUD-01



DATA SHEET

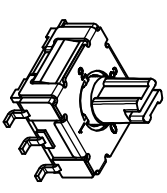
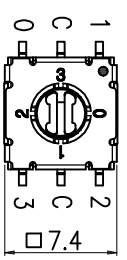
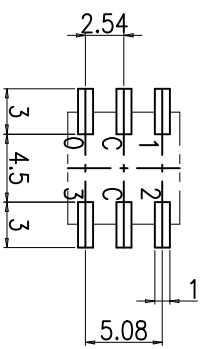
SUNGMUN CODE : MSKM-04S-TR
DESCRIPTION : MINI ROTARY DIP SWITCH



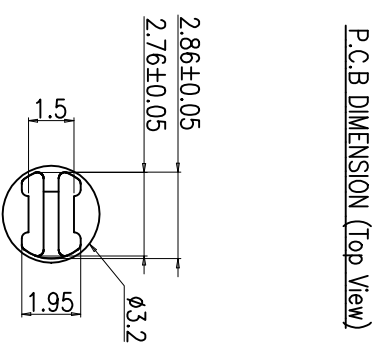
REV. NO.	DATE	REVISION	DR	CH	APP
△					

SPECIFICATION

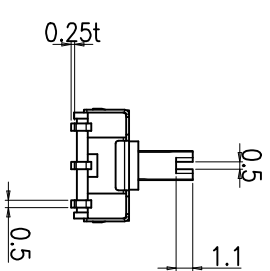
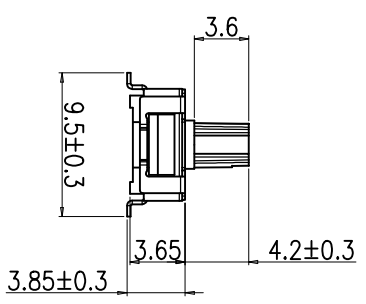
1. Rating : 100mA, DC 42V (Switching)
400mA, DC 42V (None-Switching)
2. Contact Resistance : 80mΩ Max
3. Insulation Resistance : 100MΩ Min
4. Operating Force : 120±30gf Max
5. Life cycle : 25,000 steps
6. Sealing : IP67 (Dust & Water proof)
7. Packing : 70pcs Tube / 600pcs Reel Packing



P.C.B DIMENSION (Top View)



ACTUATOR
SCALE : 2/1



Decimal Code					
04	C	0	1	2	3
P	●	●			0
o			●		1
s	●			●	2
i					3
t	●				3
n					3

DRAW/DESIGNED	CHECKED	APPROVED	UNIT	G.TOL	TITLE	
K.N KIM	W.J LEE	K.I LEE	mm	--	MINI ROTARY DIP SWITCH	
2023-10-13	2023-10-13	2023-10-13			SM-MSKM-04S	
DIN ISO-2768-1m			SCALE	N:S	MODEL NO.	
Ranges	0.5~3	3~6	6~30	30~120	120~400	MSKM-04S-01
Tolerance	±0.1	±0.1	±0.2	±0.3	±0.5	REV. 01
SUNGJUN ELECTRONICS CO.,LTD			SIZE	A4	DRAW NO.	

1. Style:

This specification describes "7.4X7.4 size of Mini Rotary Dip Switch" which is M series.

1.1 Operating / Storage Temperature Range : -60°C ~ +125°C

2. Rating:

2.1 None-Switching : 400 mA, DC 42V

2.2 Switching : 100 mA, DC 42V

3. Type of Actuation : Rotating

4. Electrical Characteristics

ITEM	DESCRIPTION	TEST CONDITIONS	REQUIREMENTS
4-1	Visual Examination	By visual examination check without any out pressure & testing.	There shall be no defects that affect the serviceability of the product.
4-2	Contact Resistance	① To be measured between the two terminals associated with each switch pole. ② Measurements shall be made with a 1kHz shall current contact resistance meter.	80mΩ max. (initial)
4-3	Insulation Resistance	250V DC	100 MΩ min.
4-4	Dielectric withstanding Voltage	250V AC(50Hz or 60Hz)shall be applied between all the adjacent terminal and between the terminal and the frame for 1 minute.	There shall be no breakdown or flashover.

5. Mechanical Characteristics

ITEM	DESCRIPTION	TEST CONDITIONS	REQUIREMENTS
5-1	Operation Force	Operating direction shall be clockwise or counter clockwise direction	120gf·cm ±30
5-2	Operation Life	Measurements shall be made following the test set forth below: 1)100mA, 42V DC resistive load 2)Rate of operation: 15~20 cycles/ minute 3)Step of operation: 25,000 steps	1)As shown in item 4-3,4-4 2)Contact Resistance: 200mΩ max 3)Final-after test

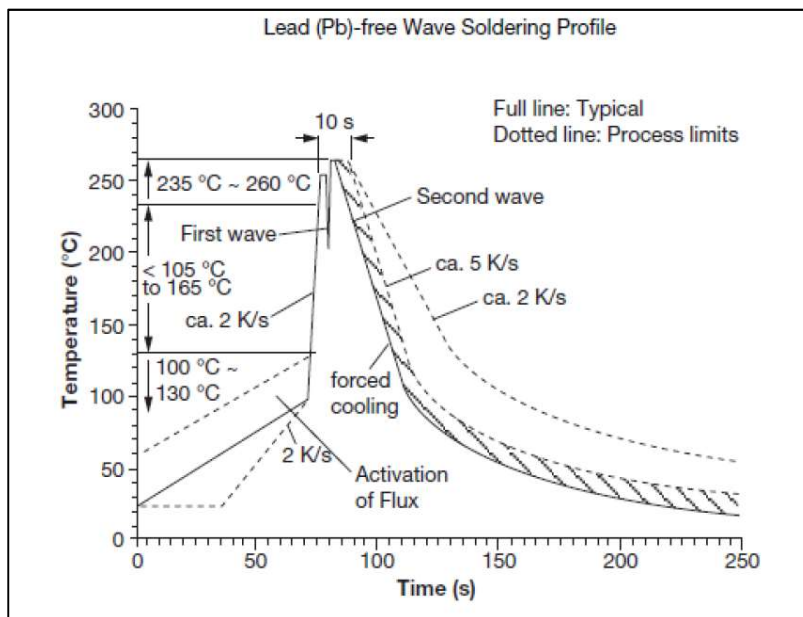
6. Environmental Characteristics

ITEM	DESCRIPTION	TEST CONDITIONS	REQUIREMENTS
6-1	Resistance Low Temperature	Following the test set forth below the sample shall be left in normal temperature and humidity conditions for an hour before measurements are made: 1)Temperature: -60°C ±3°C 2)Time: 96 hours	1)As shown in item 4-3, 4-4, 5-1 2)Contact Resistance: 200mΩ max
6-2	Resistance High Temperature	Following the test set forth below the sample shall be left in normal temperature and humidity conditions for an hour before measurements are made: 1)Temperature: 125°C ±2°C 2)Time: 96 hours	1)As shown in item 4-3, 4-4, 5-1 2)Contact Resistance: 200mΩ max
6-3	Resistance Humidity	Following the test set forth below the sample shall be left in normal temperature and humidity conditions for an hour before measurements are made: 1)Temperature: 40°C ±2°C 2)Relative humidity: 90~95% 3)Time: 96 hours	1)As shown in item 4-4, 5-1 2)Contact Resistance: 200mΩ max 3)Insulation Resistance: 10 MΩ min

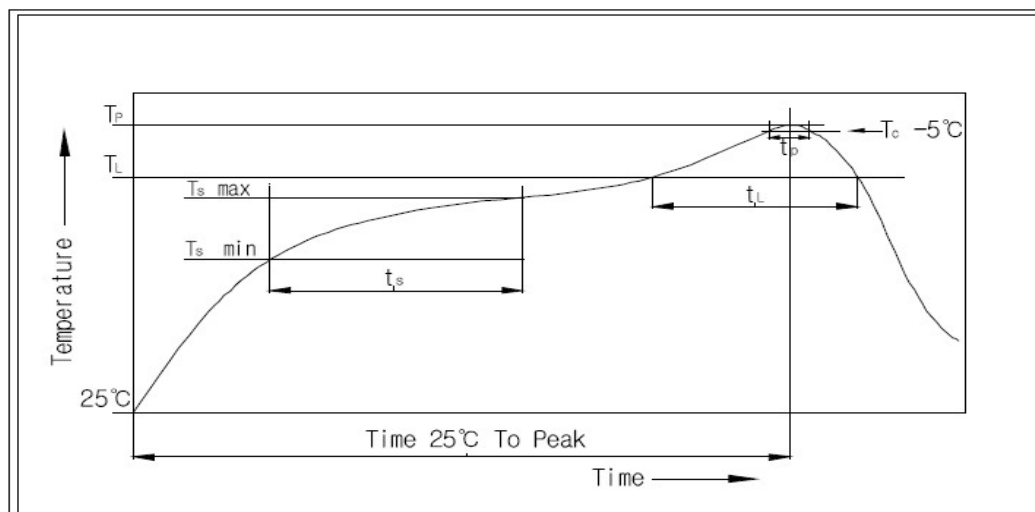
7. This item is "RoHS" Compliant

8. Manual Soldering : Max 350°C, 3 sec.

9. Wave Soldering Conditions:



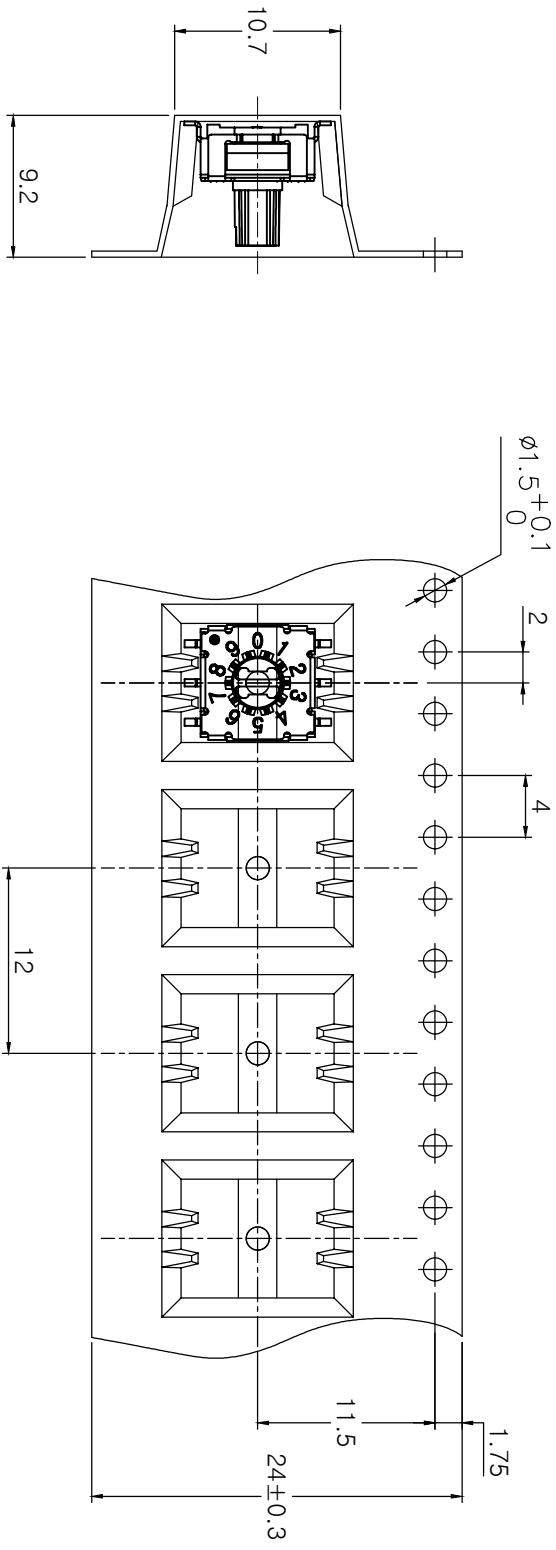
10. Reflow Soldering Conditions: (SMD type only)



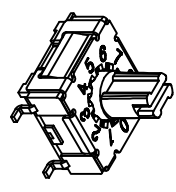
10-1 Condition for Soldering

Profile Feature	Pb-Free Assembly
Average Ramp-UP Rate(Ts max to TP)	3°C/second max
Preheat	
- Temperature Min(Ts min)	150°C
- Temperature Max(Ts max)	200°C
- Time (ts min to ts max)	60-180seconds
Time maintained above:	
- Temperature (TL)	217°C
- Time (tL)	60-150seconds
Peak/Classification Temperature(TP)	260°C +0°C/ -5°C
Time within 5°C of actual Peak Temperature(TP)	Min 30 seconds
Ramp-Down Rate	6°C/sec max
Time 25°C to Peak Temperature	8 minutes max

MRK.	DATE	REVISION	SIGN
△			



DIRECTION OF FEED



Units(pcs)
600

DRAW/DESIGNED	CHECKED	APPROVED	UNIT	G.TOL	TITLE
H.S LEE	K.N KIM	W.J LEE			
2022-11-14	2022-11-14	2022-11-14	mm	SCALE	MODEL
			2-1	SIZE	NO.
SUNGMUN ELECTRONICS CO.,LTD			A4		TR-MSIS,KIO-00SJUD-01
					TR-MSIS,KIO-00SCJUD-01
					REV.
					01