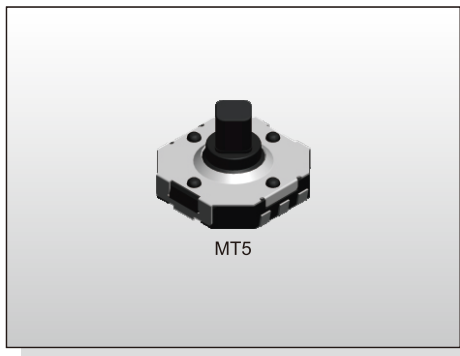


MULTI FUNCTION SWITCH MT(4)(5) SERIES

Multi-direction
Type



MT5

FEATURES

- ※7.4x7.7mm
- ※Variety of height options
- ※Reflow solderable

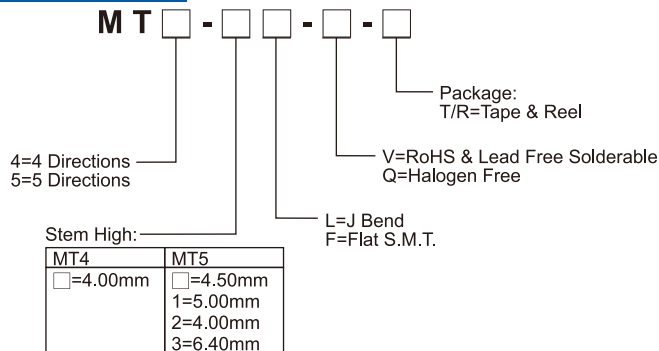
APPLICATION

- ※Medical device
- ※Consumer electronics
- ※Security device

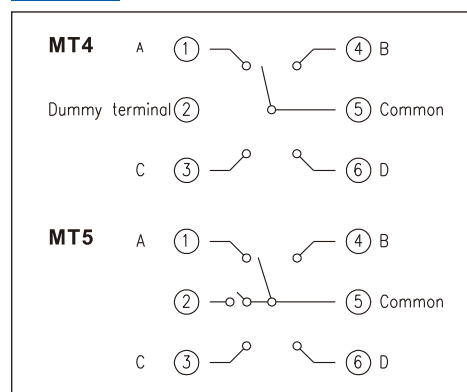
SPECIFICATION

| | |
|-----------------------|--|
| Contact Rating | 50mA, 12V DC |
| Contact Resistance | 100mΩ max. |
| Insulation Resistance | 100MΩ min. 100V DC |
| Dielectric Strength | 250V AC/1 minute |
| Operating Force | 160gf, 4-direction 360gf, Center push |
| Travel | 0.25mm, 4-direction 0.15mm, Center push |
| Operating Life | 100,000 cycles |
| Operating Temp. | -25°C ~ +70°C |
| Storage Temp. | -40°C ~ +85°C |

HOW TO ORDER



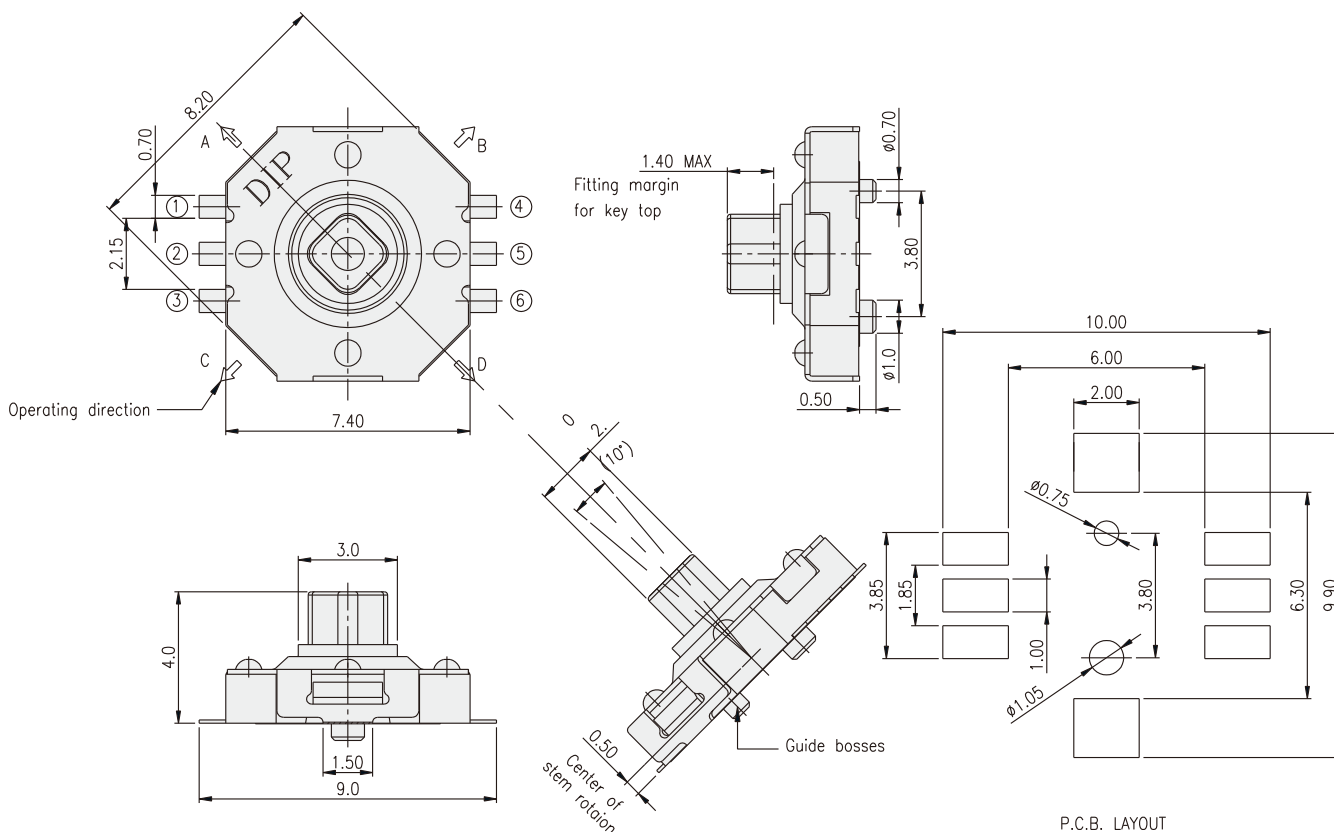
CIRCUIT



PACKAGE

<Tape & Reel>
850 pcs
MT5-3: 800 pcs

MT4-F



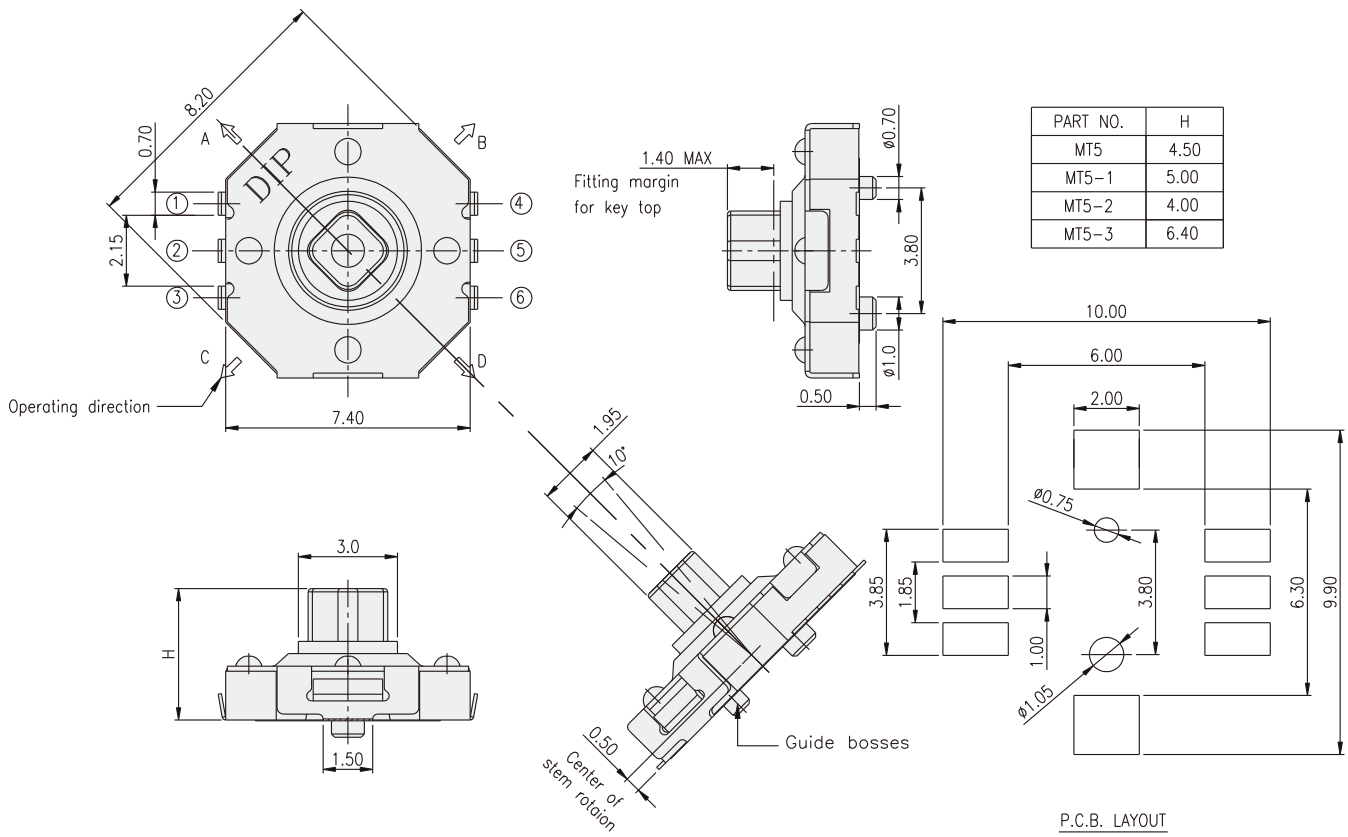
MULTI FUNCTION SWITCH

MULTI FUNCTION SWITCH
MT(4)(5) SERIES

**Multi-direction
 Type**



MT5-L



MULTI FUNCTION SWITCH