

Specifications

Rating	:12A 125VAC (UL CUL) 10A 250VAC (CQC ENEC)
Contact Resistance	:20mΩ Max
Insulation Resistance	:DC 500V 100MΩ Min
Dielectric Strength	:AC 1500V 1 minute
Operating Force	:450±200gf
Mechanical Life	:50,000 Cycles
Load Life	:10,000cycles
Operating Temperature	:-20°C~85°C
Safety Approval	   



MR-7-110-C5N-BB



MR-7-110-C5N-AA

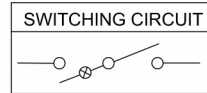
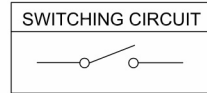
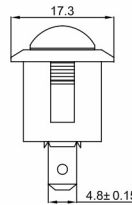
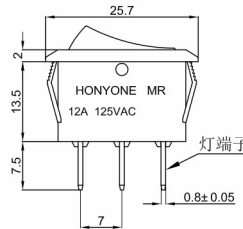
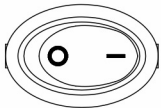
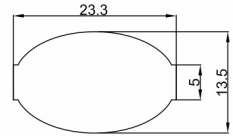
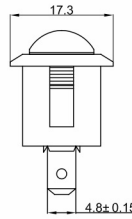
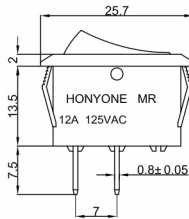
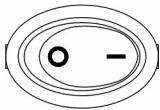


MR-7-110-C5L-BR-110



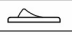
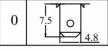
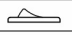
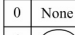
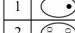

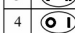
MR-7-130-C6N-BB

Drawing



Circuit、P.C.B layout

How to order

MR-7		1 1 0		C 5 N		B B		3	
Model 型号	Function 功能	Terminal type 端子种类	Actuator shape 柄形状	Marking 印字	Illuminated 带灯指示	Body color 基座颜色	Actuator color 柄颜色	Light Voltage 灯电压	
11	ON-OFF	2P	C 	0	N None 不带灯	B Black 黑色	B Black 黑色	NONE	
12	ON-ON	3P		0 	1	L Neon 氖灯	A Gray 灰色	R Red 红色	3
13	ON-OFF-ON	3P	C 	2	E LED	W White 白色	A Gray 灰色	12	12V
14	OFF-(ON)	2P		3		W White 白色	W White 白色	110	110V
15	ON-(OFF)	2P	4		W White 白色		Y Yellow 黄色	220	220V
16	(ON)-OFF-(ON)	3P	5			W White 白色	U Blue 蓝色		
17	(ON)-OFF-ON	3P	6						
18	(ON)-ON	3P							