

# PB03 SERIES PUSH BUTTON SWITCHES

带灯轻触开关



PB03-22-5-BA

PB03-21-1-BA

PB03-31-3-AA

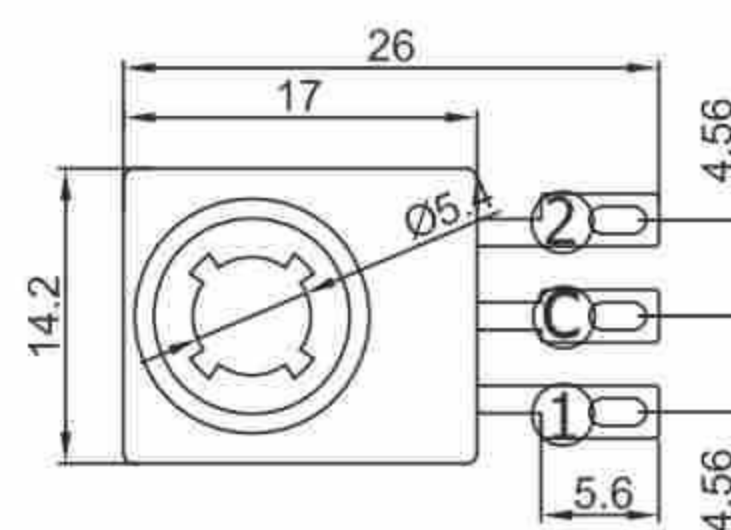
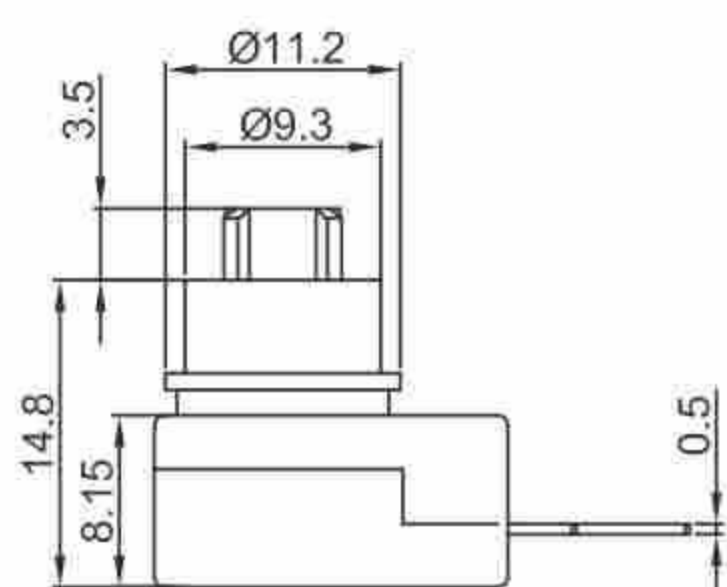
## SPECIFICATIONS

Rating	: 7A 14VDC (UL CUL) cULus
Contact Resistance	: 50mΩ Max
Insulation Resistance	: 500VDC 100MΩ Min.
withstand Voltage	: 1000VAC 1 Minute
Operating Force	: 500±150gf
Travel	: 2.6±0.4mm
Life Cycle	: 10,000 Cycles

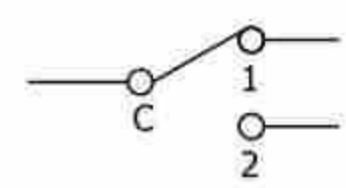
带灯按钮开关



PB03-31-2-AA



FUNCTION:  
<1.> ON C&1  
<2.> ON C&2



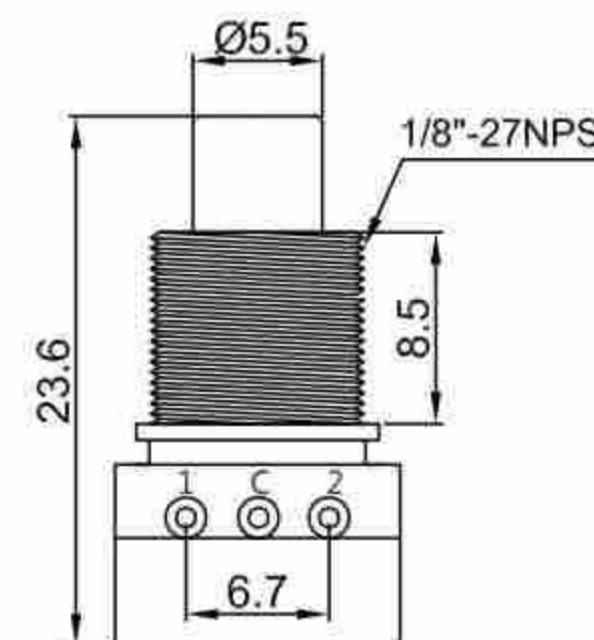
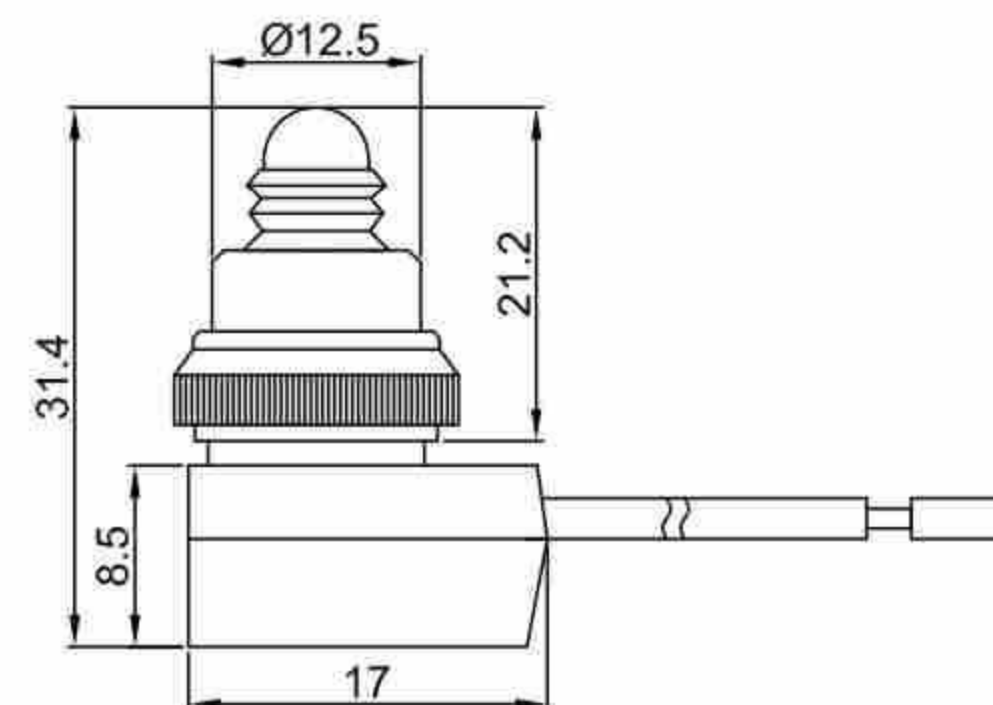
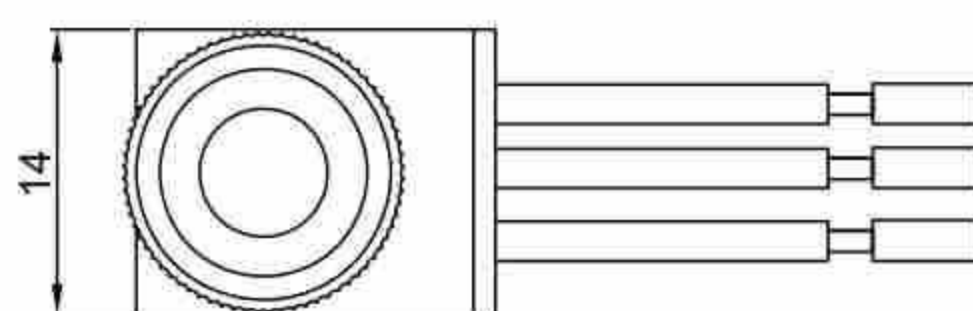
Circuit Diagram

按钮开关

金属按钮开关



PB03-31-4-BB



翘板开关

保险丝座

光电触摸开关

旋转开关

