

PB04 SERIES PUSH BUTTON SWITCHES

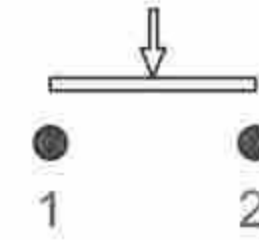
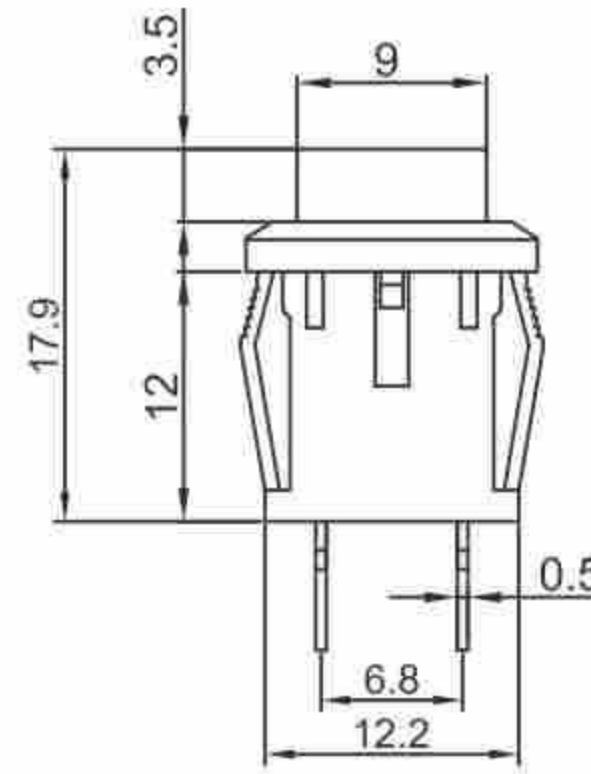
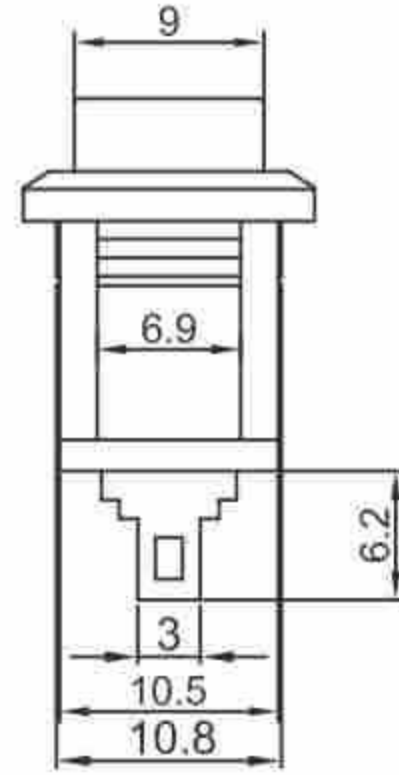
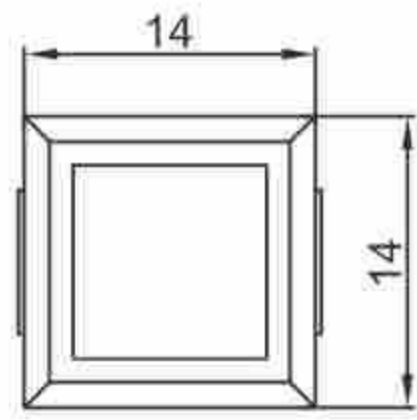


SPECIFICATIONS

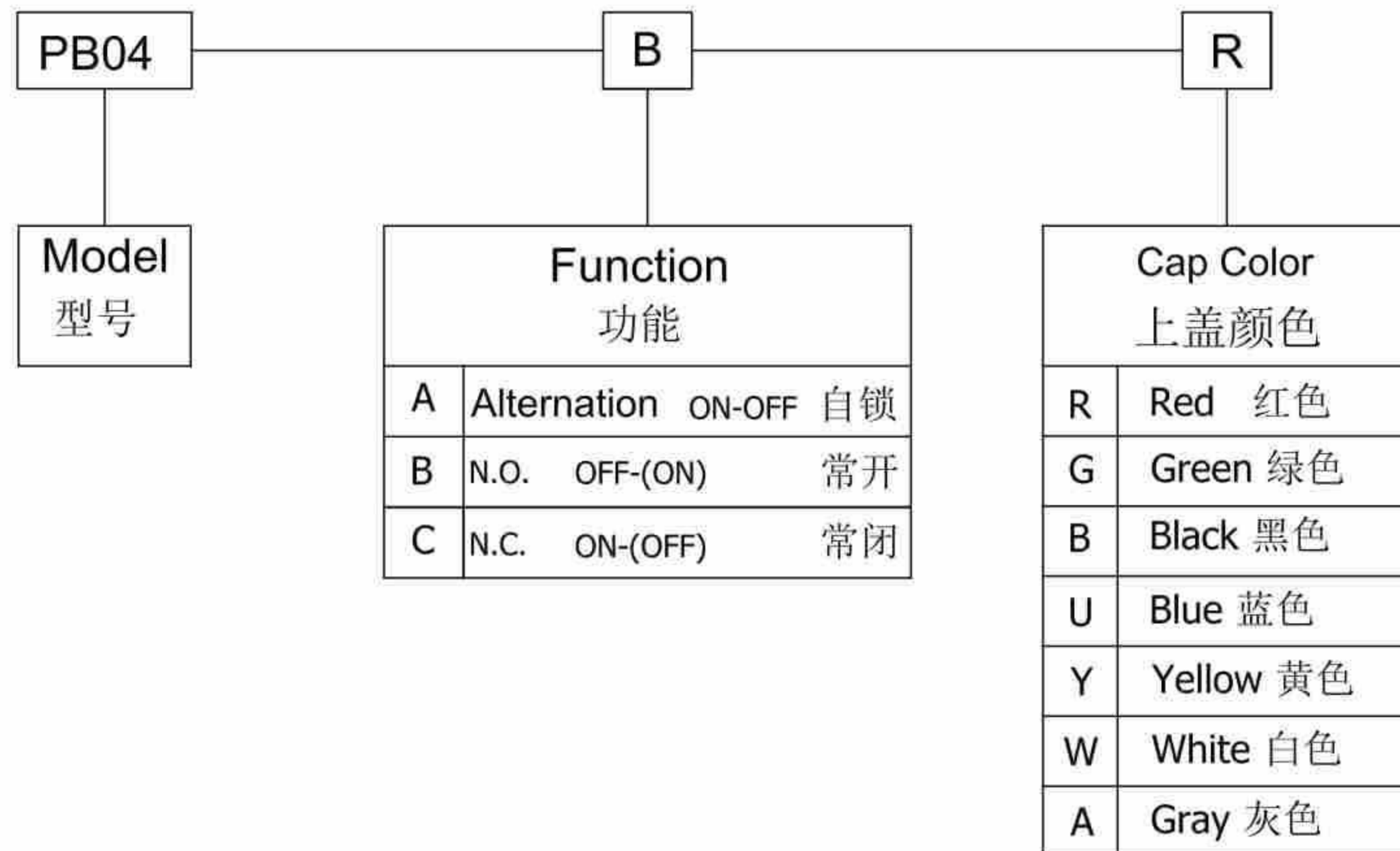
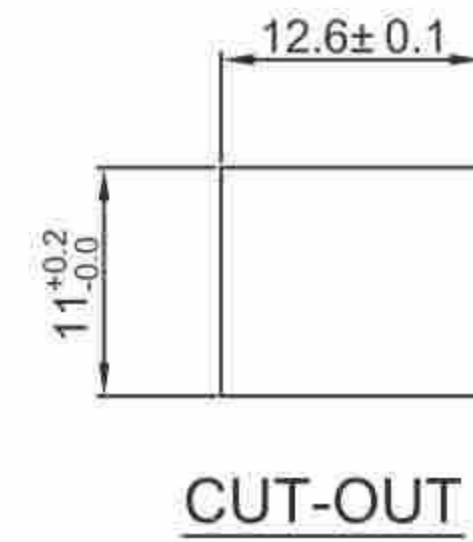
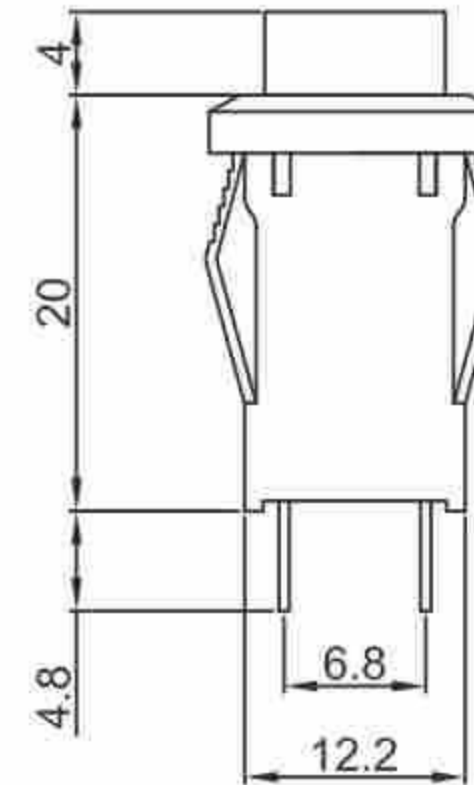
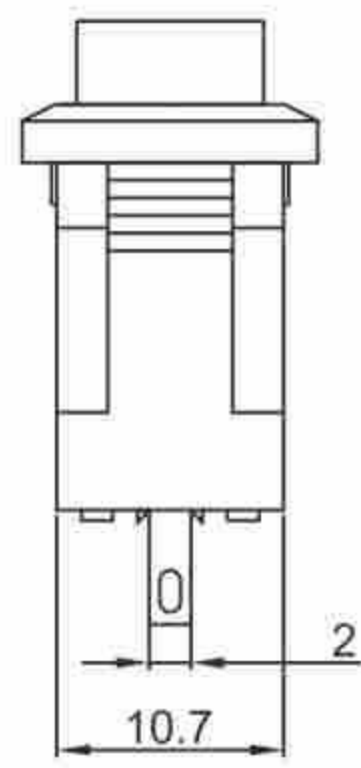
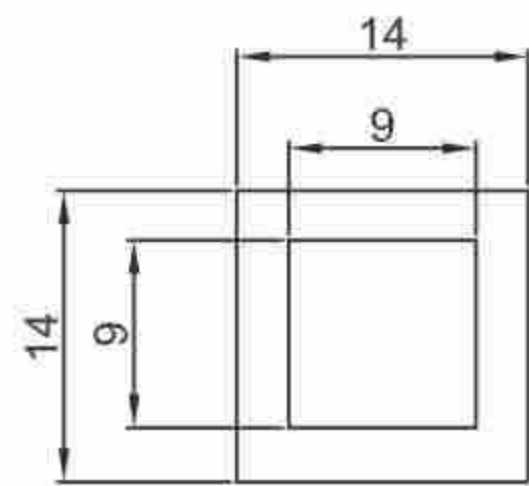
Rating	:3A 125V AC 1.5A 250VAC
Contact Resistance	:50mΩ Max
Insulation Resistance	:DC500V 100MΩ Min.
withstand Voltage	:1000VAC for 1 Minute
Operating Force	:300±100gf
Travel	:2.5±0.4mm
Life Cycle	:50,000Cycles
Operating Temperature	:-20°C~85°C
Function	:(ON)-OFF (OFF)-ON ON-OFF



PB04-B-R



PB04-A-G



带灯轻触开关

带灯按钮开关

按钮开关

金属按钮开关

翘板开关

保险丝座

光电触摸开关

旋转开关