

PB06 SERIES LED PUSH BUTTON SWITCHES

带灯轻触开关

带灯按钮开关



PB06-A1-WT-W-N-N PB06-A1-WT-R-N-N PB06-A-WT-G-N-N PB06-A-WT-O-27-Y PB06-A-WT-G-21-Y PB06-A-WT-U-N-Y

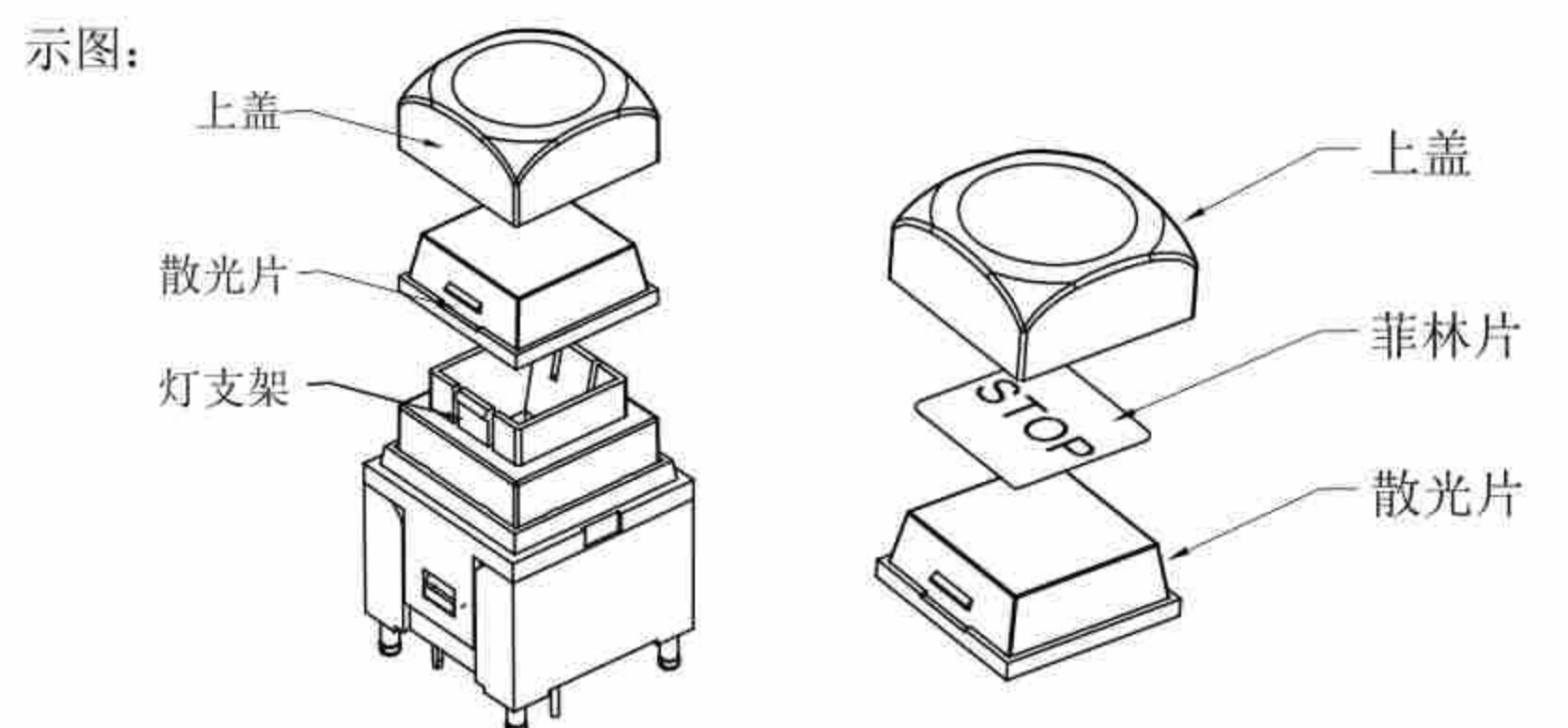
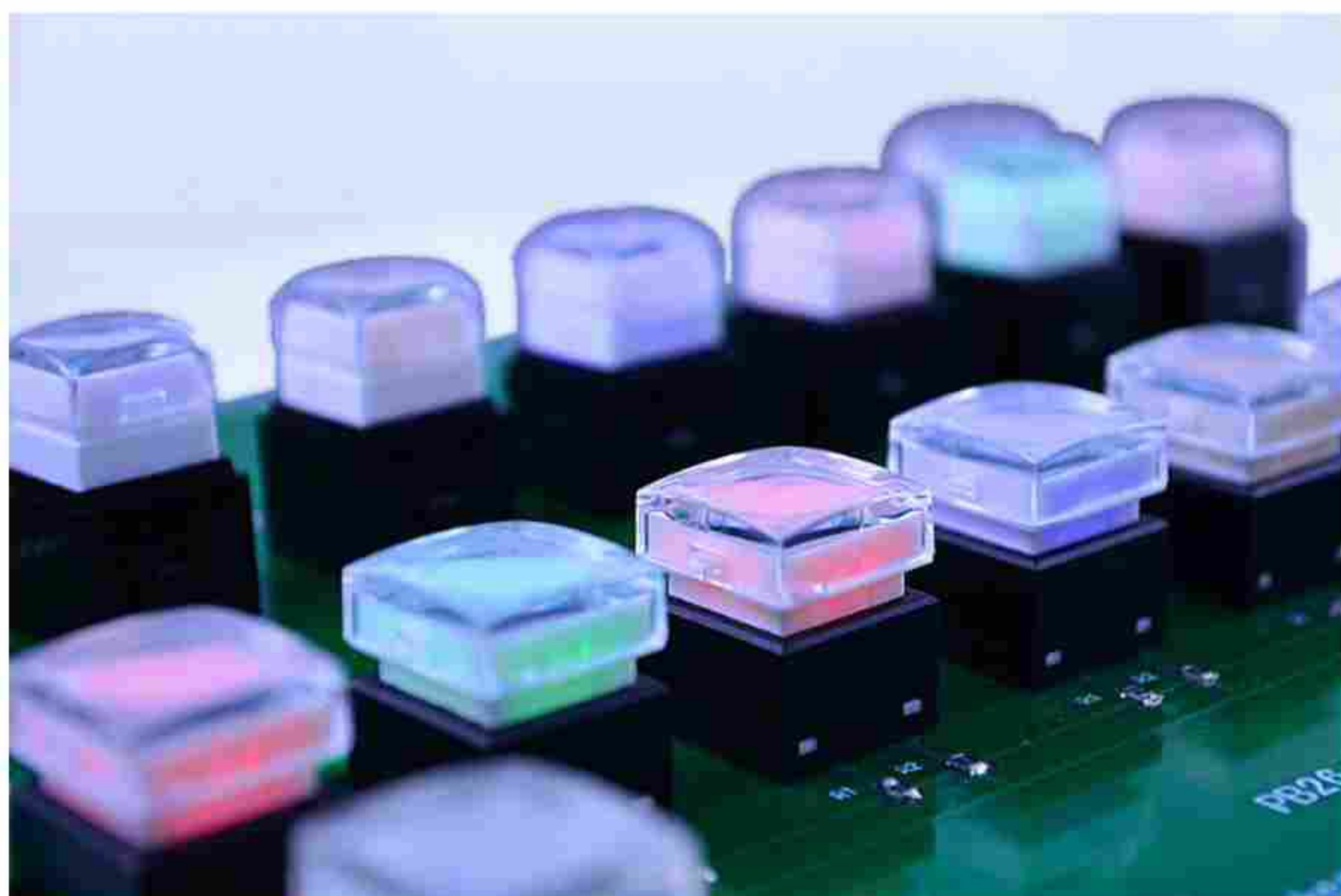
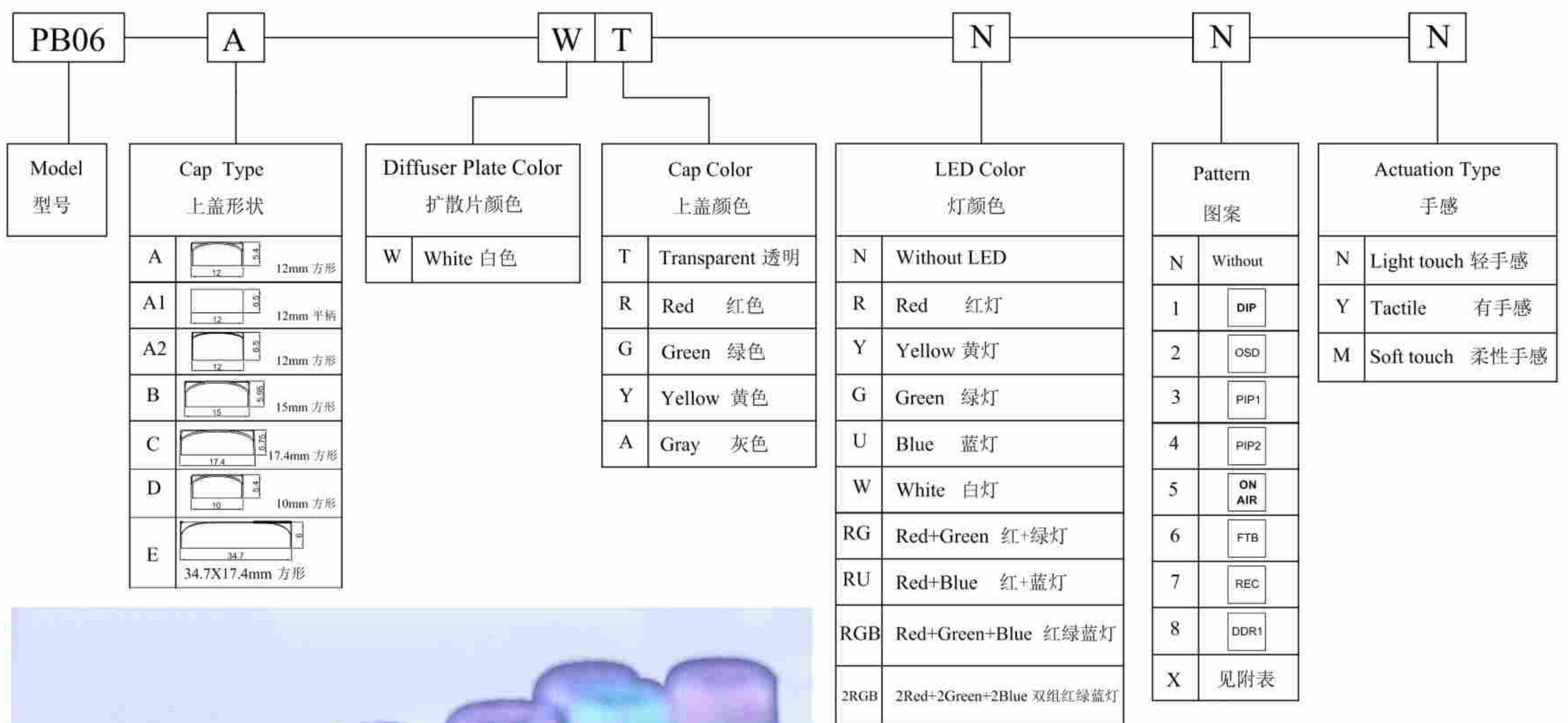
SPECIFICATIONS

Circuit: OFF-(ON)/Momentary SPST
 Current Rating: :100mA
 Voltage Rating: :12VDC
 Dielectric voltage: :250VAC for 1 minute
 Contact Resistance: :200mΩ Max .(intial)
 Insulation Resistance: :100MΩ Min.
 Operating Force: :250±100gf
 Total Travel: 4.5±0.2mm
 Operating life: :1,000,000 Cycles Min
 Manual wdding: :350°C for 5 Seconds
 Openrating Temperature: :-20°C~+70°C

LED SPEC F CAT ONS					
ATTENTION LEDs are Electrostatic Sensitive devices	Unit	Value / LED Color			
		Ultra Blue	Pure Green	Ultra Red	
FORWARD CURRENT	If	20	20	20	
REVERSE VOLTAGE	Vr	5.0	5.0	5.0	
REVERSE CURRENT	Ir	10	10	10	
FORWARD VOLTAGE@20mA	Vf	2.7-3.7	2.7-3.7	1.8-2.4	

按钮开关

金属按钮开关

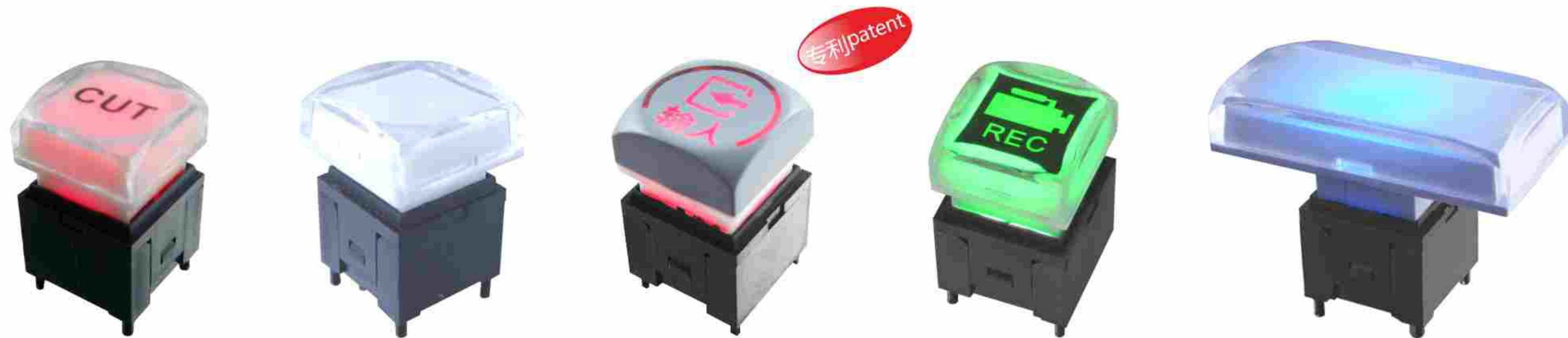


翘板开关

保险丝座

光电触摸开关

旋转开关



PB06-B-WT-R-27-Y

PB06-C-WT-RU-N-N

PB06-B-WA-R-47-Y

PB06-B-WT-G-134-Y

PB06-E-WT-U-N-Y

专利patent

带灯轻触开关

带灯按钮开关

按钮开关

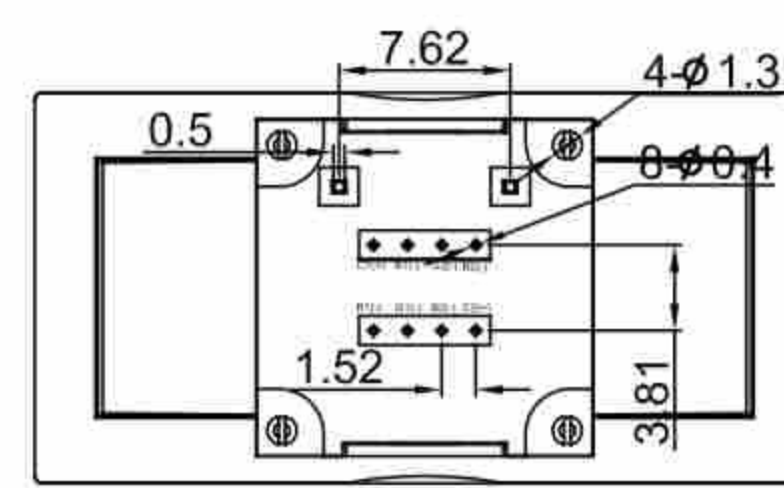
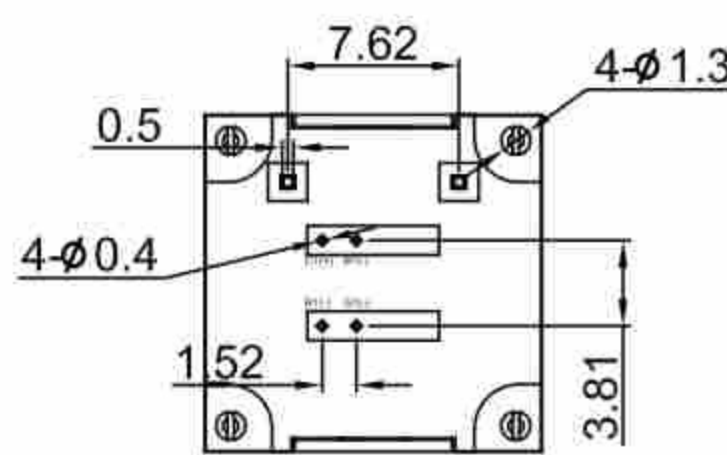
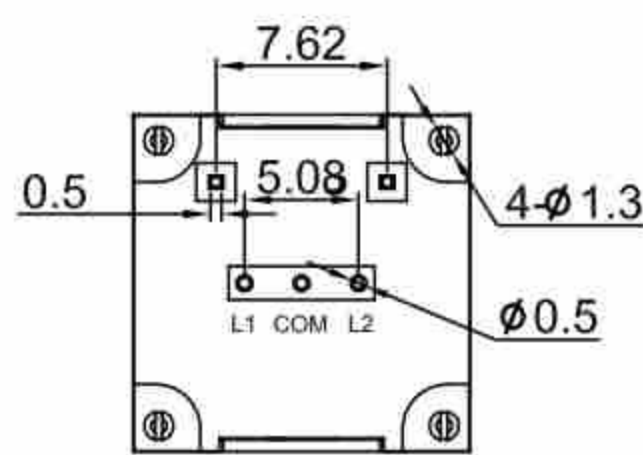
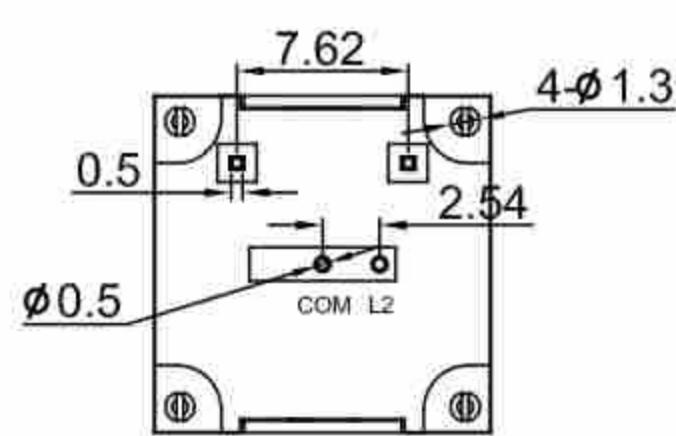
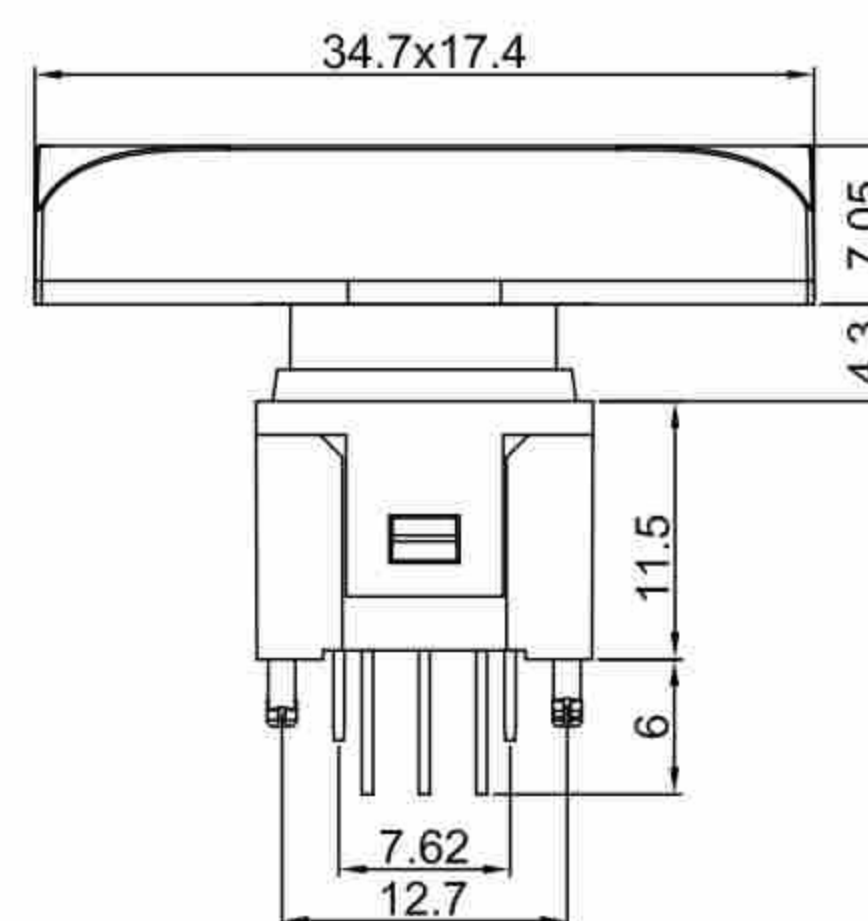
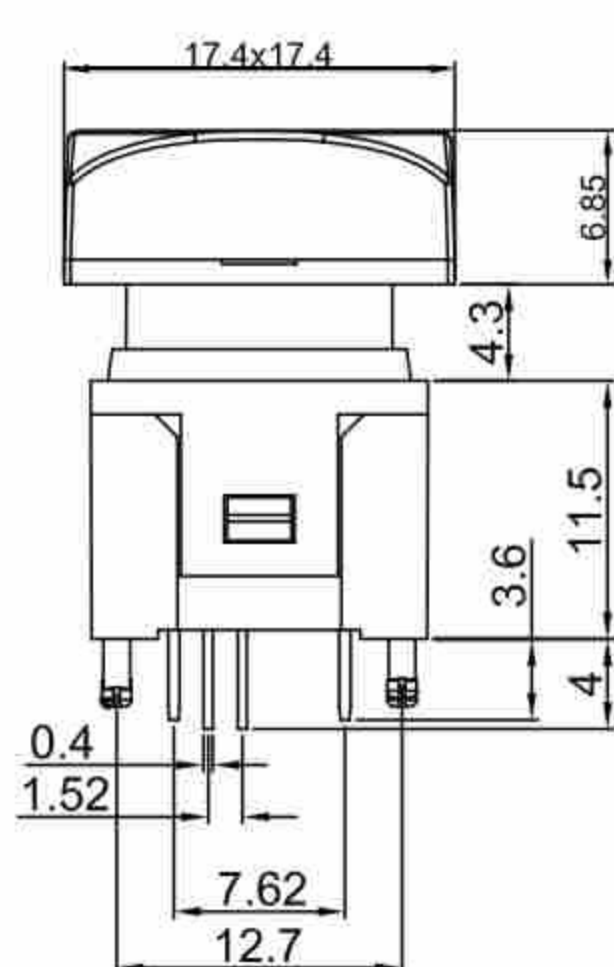
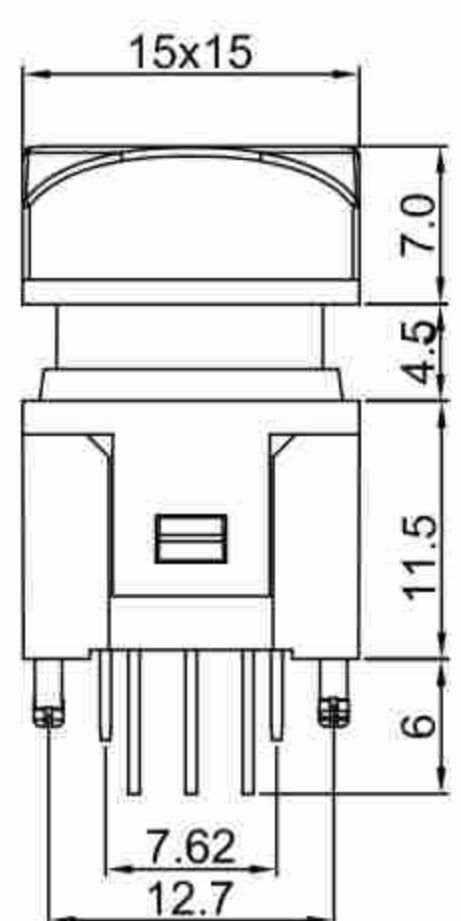
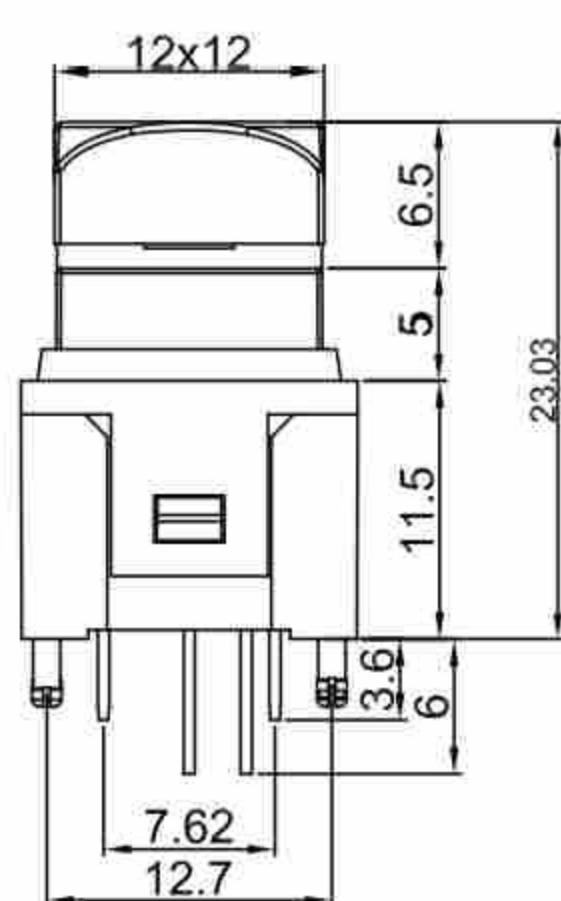
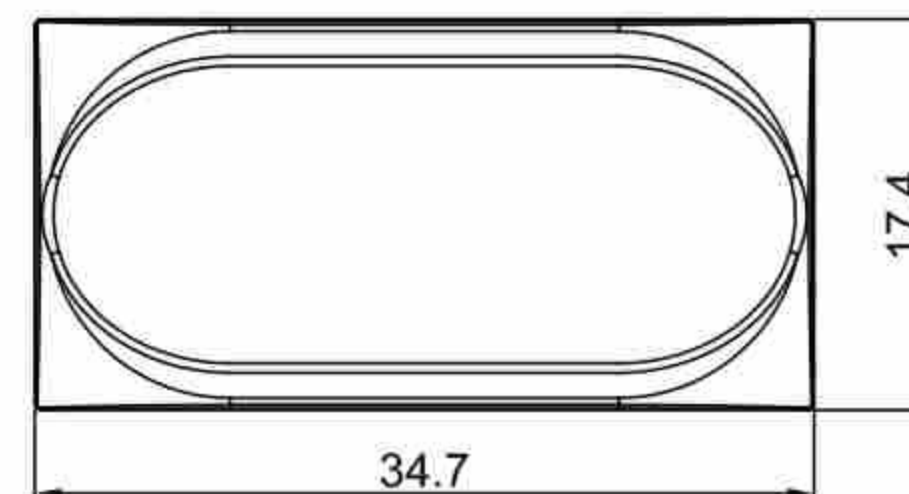
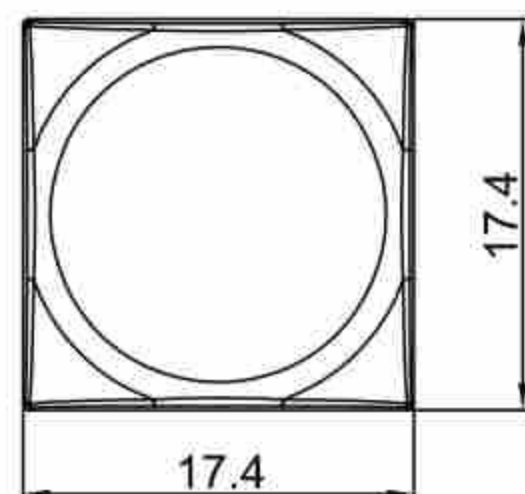
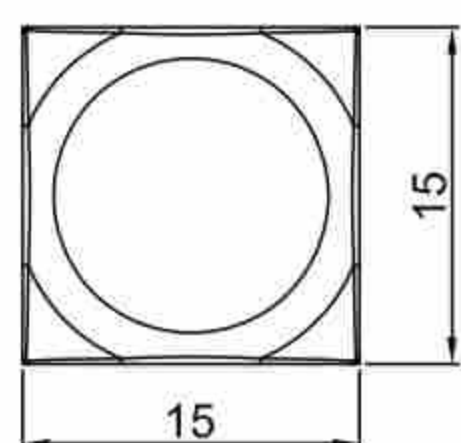
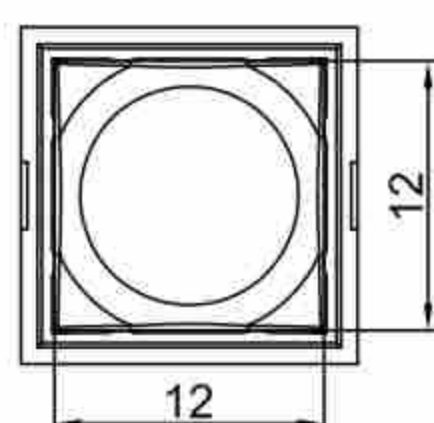
金属按钮开关

翘板开关

保险丝座

光电触摸开关

旋转开关

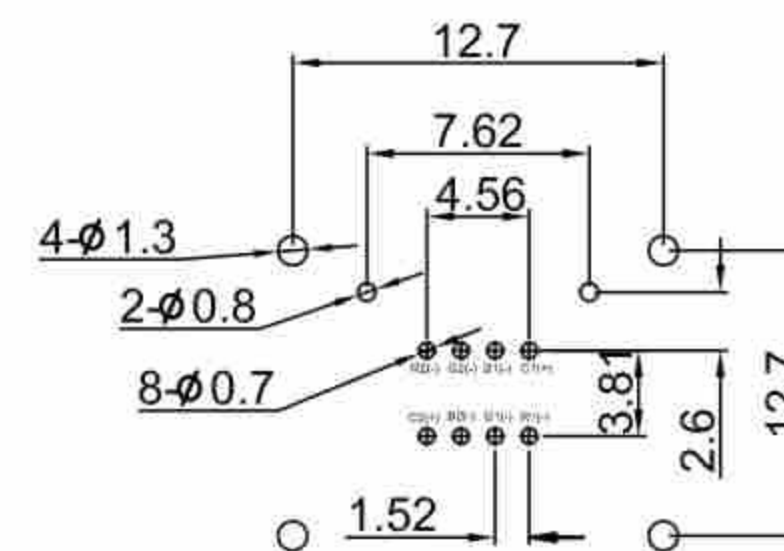
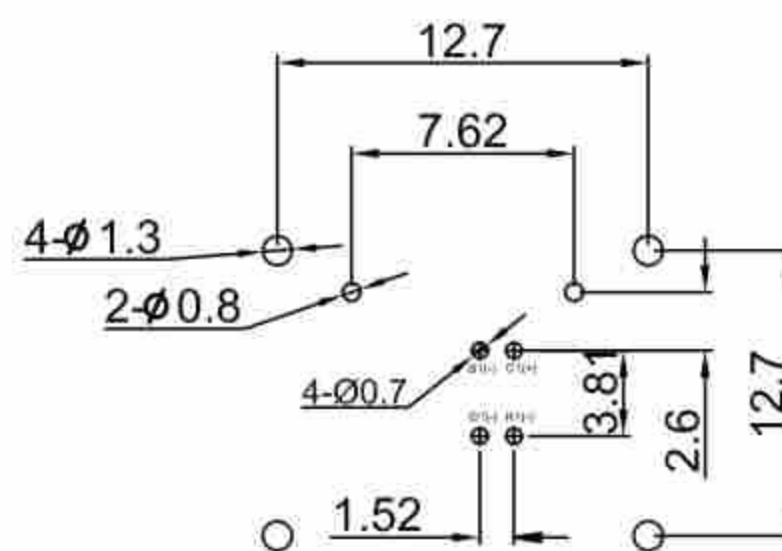
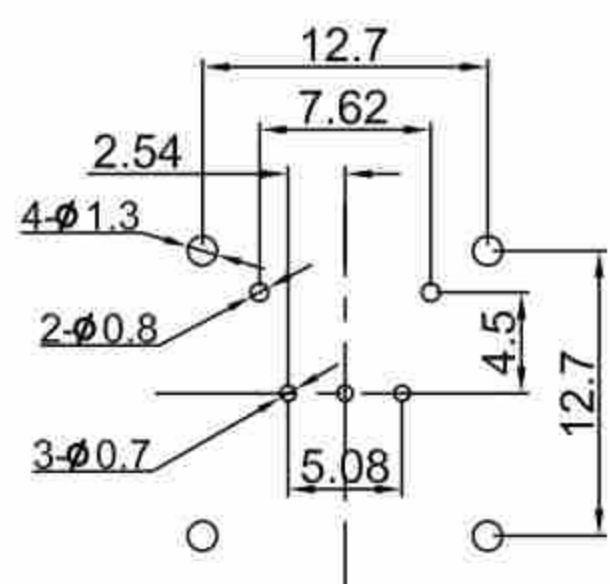
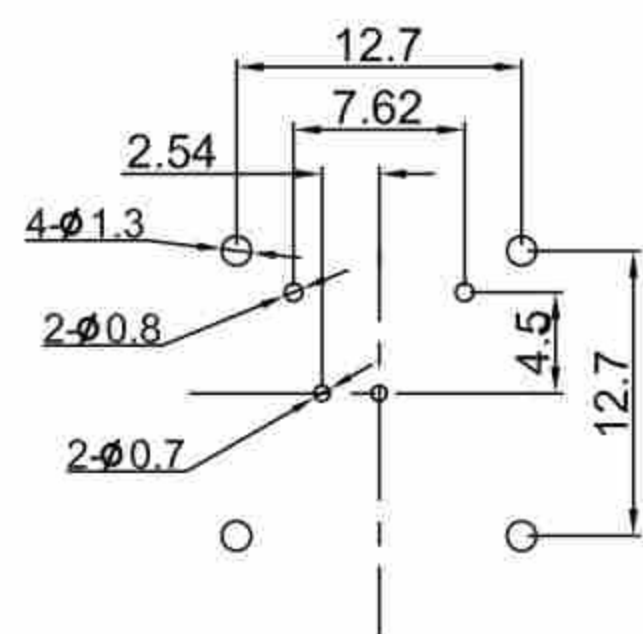


P.C.B. LAYOUT

P.C.B. LAYOUT

P.C.B. LAYOUT

P.C.B. LAYOUT

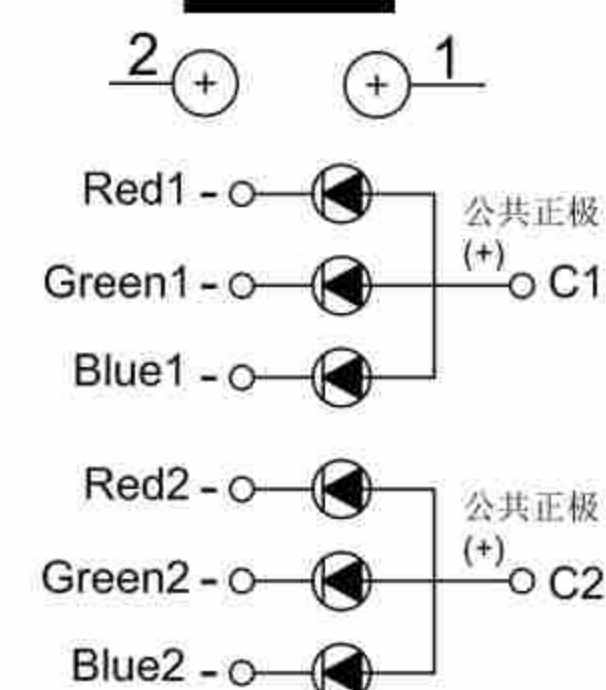
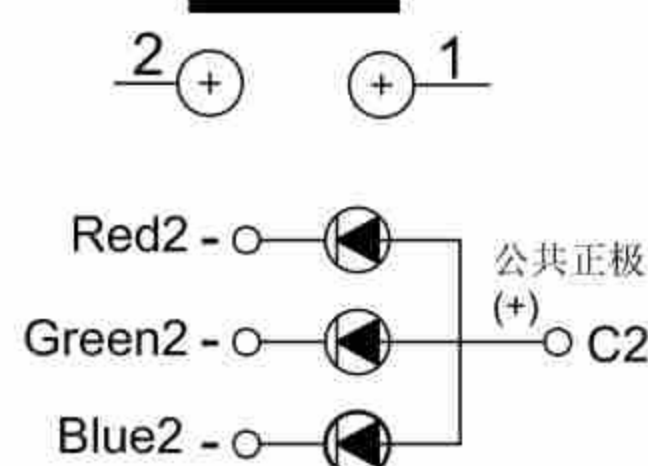
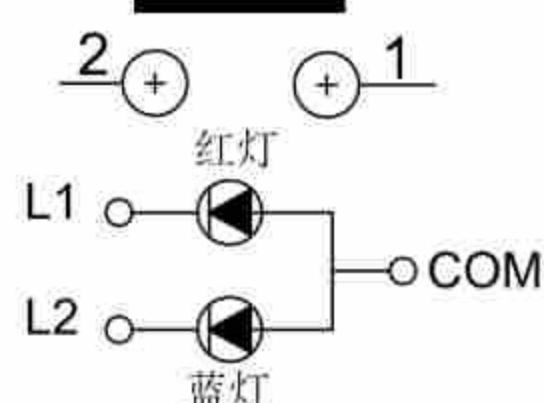
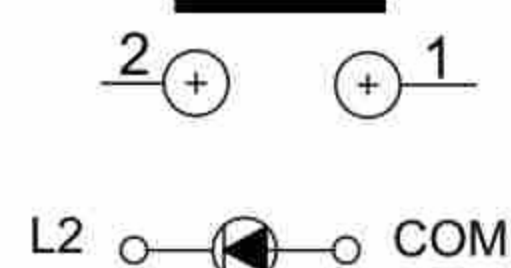


CIRCUIT

CIRCUIT

CIRCUIT

CIRCUIT



单色
Single Color

双色
Double Color

三色 (红、绿、蓝)
R、G、B Color 6P

三色 (红、绿、蓝)
R、G、B Color 10P

PB26 SERIES LED PUSH BUTTON SWITCHES

带灯轻触开关

带灯按钮开关

按钮开关

金属按钮开关

翘板开关

保险丝座

光电触摸开关

旋转开关



SPECIFICATIONS

Circuit	: ON-OFF SPDT DPDT
Rating	: 0.4VA/28VAC
Dielectric voltage	: 500VAC for 1 minute
Contact Resistance	: 100mΩ Max .(intial)
Insulation Resistance	: DC500V 100MΩMin
Operating Force	: 200±100gf
Total Travel	: 2.2±0.5mm
Operating life	: 2,00,000 Cycles Min
Solder Specifications	: 350°C for 5 Seconds
Operating Temperature	: -25°C ~ +70°C

LED SPECIFICATIONS					
ATTENTION LEDs are Electrostatic Sensitive devices	Unit	Value / LED Color			
		Ultra Blue	Pure Green	Ultra Red	
FORWARD CURRENT	If	mA	20	20	20
REVERSE VOLTAGE	Vr	V	5.0	5.0	5.0
REVERSE CURRENT	Ir	μA	10	10	10
FORWARD VOLTAGE@20mA	Vf	V	2.7-3.7	2.7-3.7	1.8-2.4

PB26	13	M	B	W	T	N	N
Model 型号	Function 功能	Function 功能	Cap Type 上盖形状	Diffuser Plate Color 扩散片颜色	Cap Color 上盖颜色	LED Color 灯颜色	Pattern 图案
	13	M Momentary 复位	B 15mm Sq 方形	W White 白色	T Transparent 透明	N Without LED	N Without
	23	A Alternate 自锁	C 17.4mm Sq 方形		R Red 红色	R Red 红灯	1
			E 26mmx15mm 方形		G Green 绿色	G Green 绿灯	2
					Y Yellow 黄色	Y Yellow 黄灯	3
						U Blue 蓝灯	4
						W White 白灯	5
						RG Red+Green 红+绿灯	6
						RU Red+Blue 红+蓝灯	7
						RGB Red+Green+Blue 红绿蓝灯	X 见附表

上盖

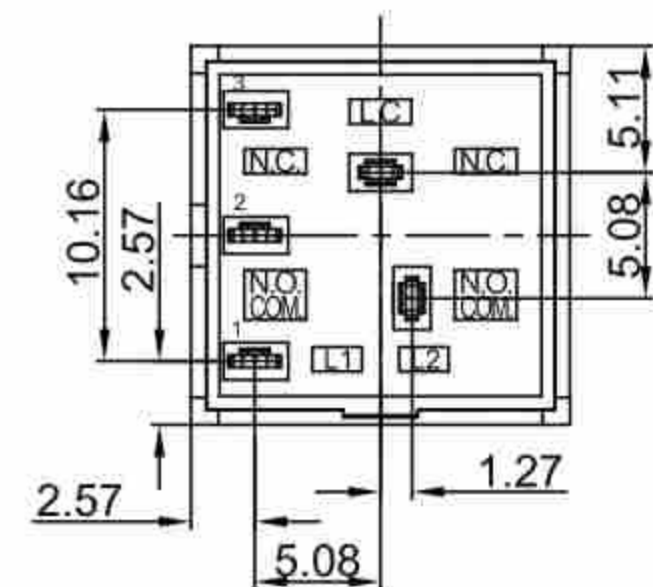
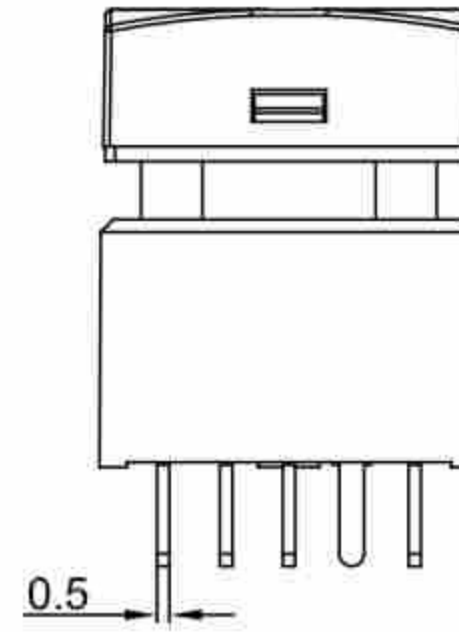
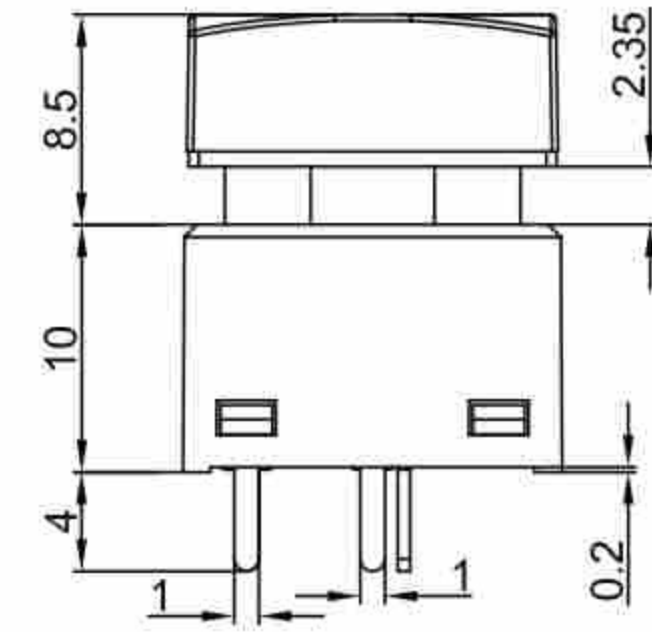
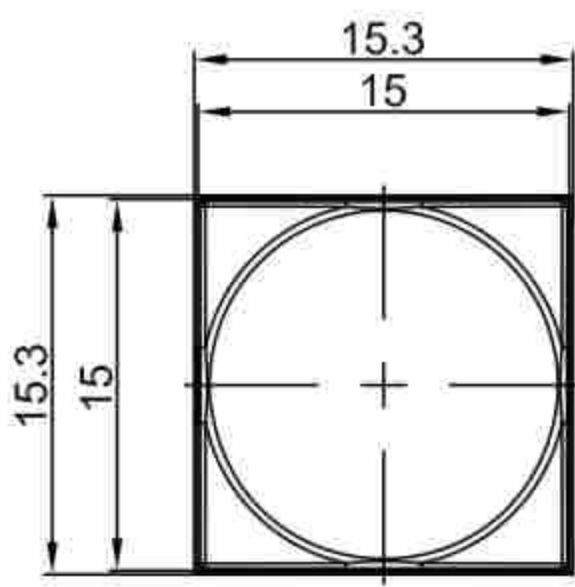
散光片

滤光片

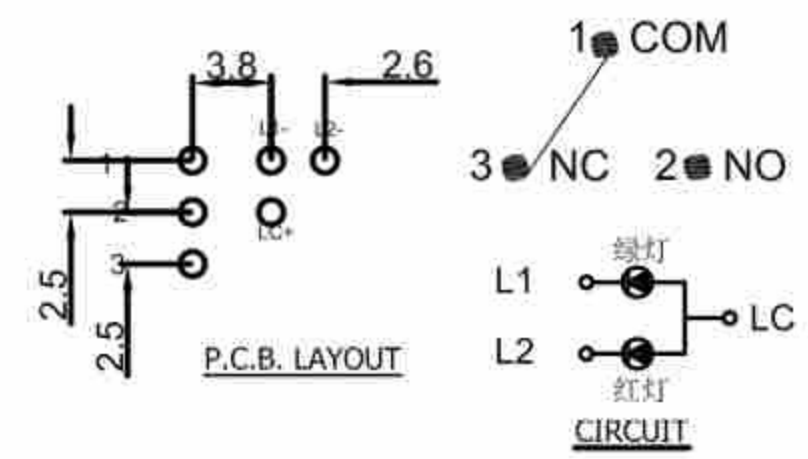
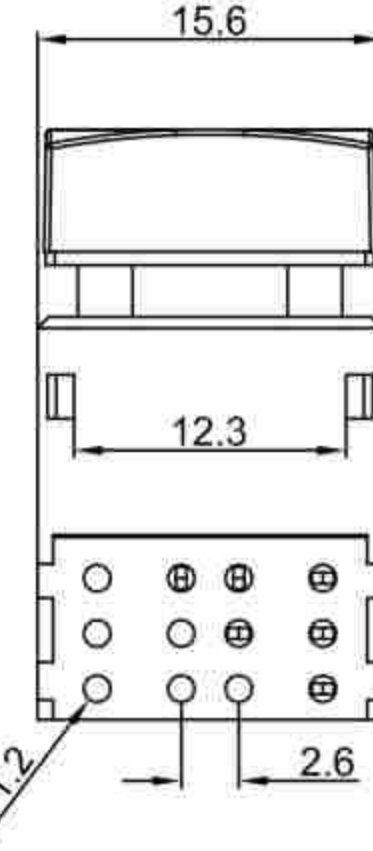
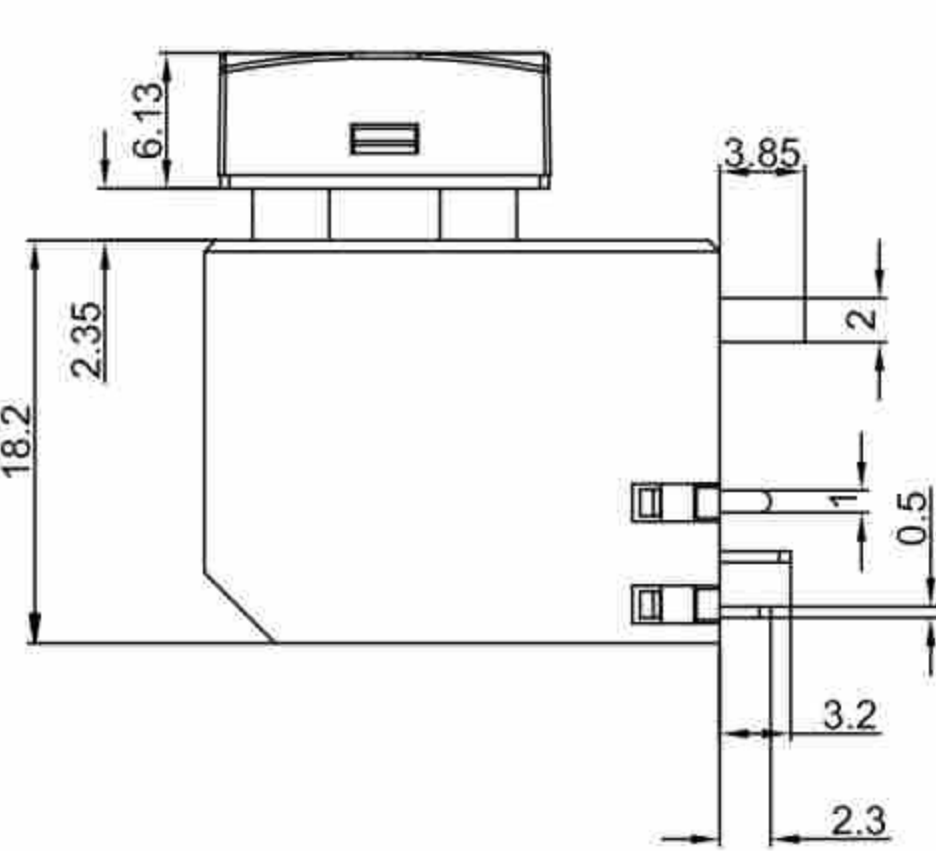
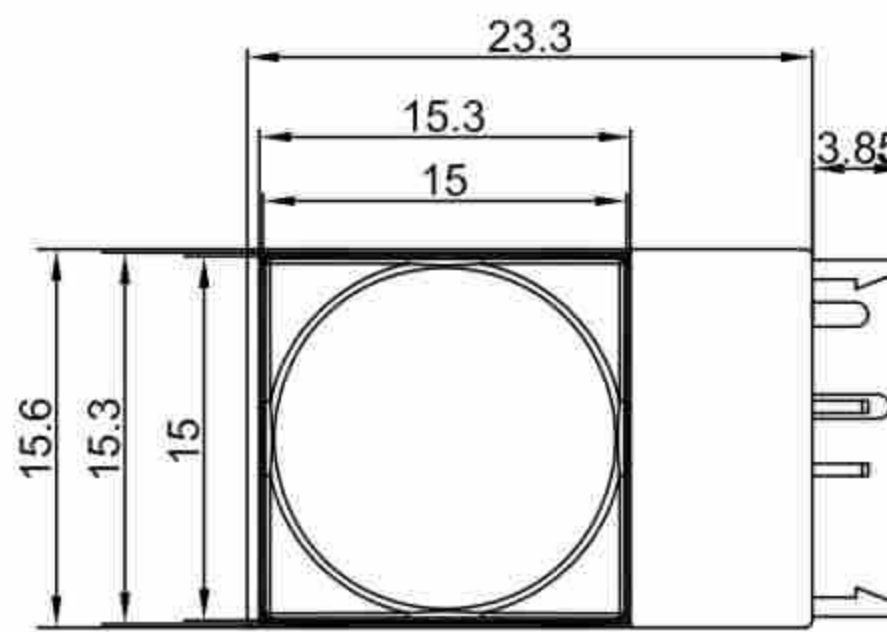
SPDT

DPDT

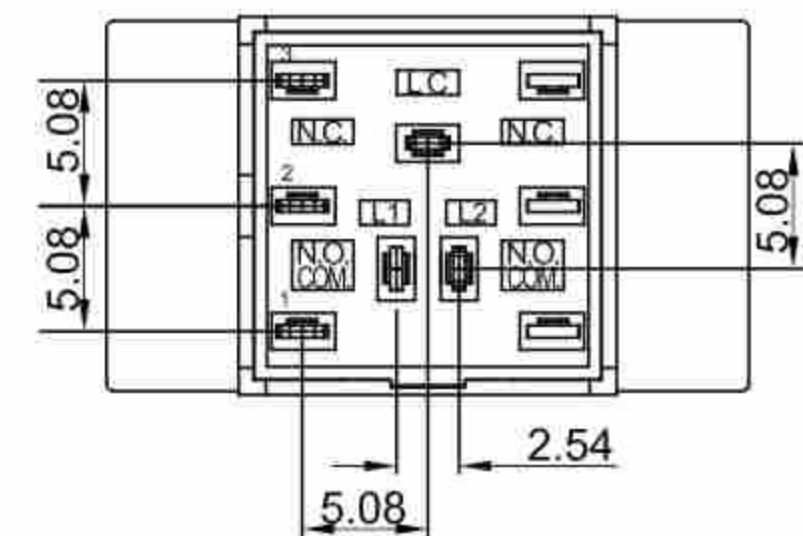
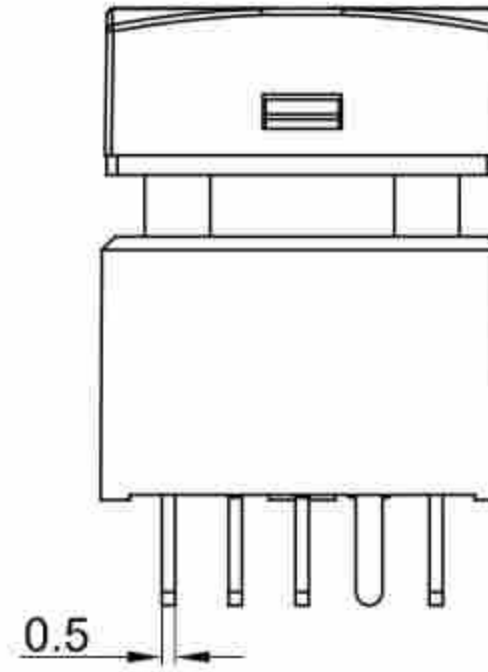
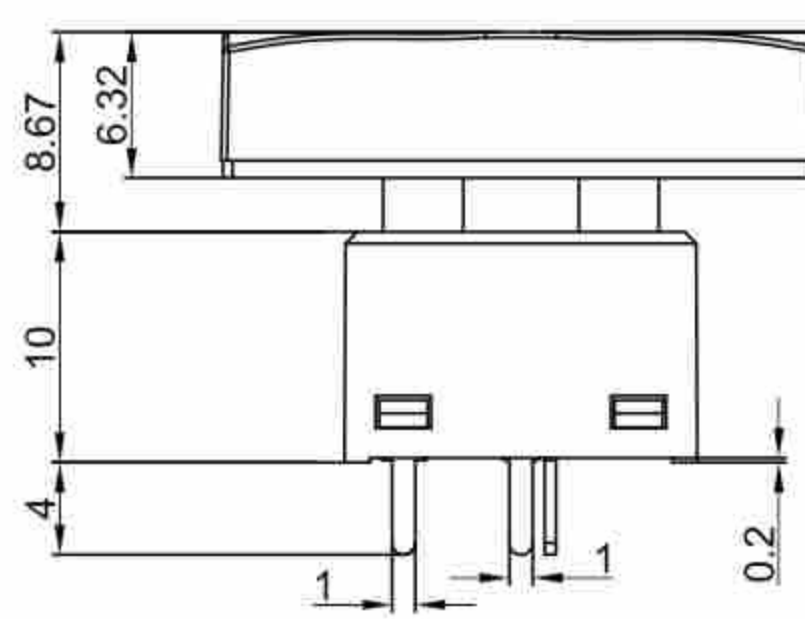
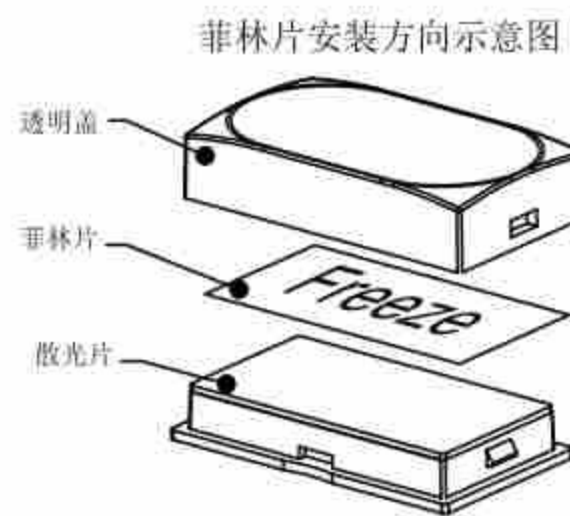
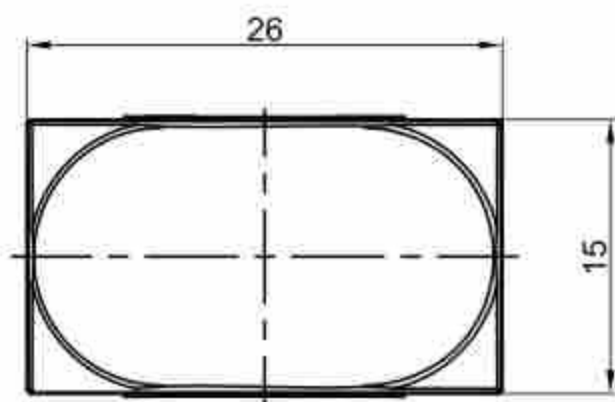
专利patent



PB26-13A-B-WT-RG-N



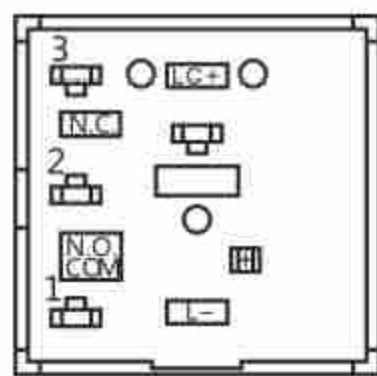
PB26-23A-B-WT-RG-N



PB26-13A-E-WR-R-423

印刷电路板安装

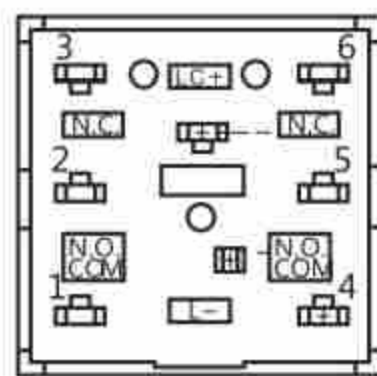
单极单灯



Bottom View

SP, 单色LED

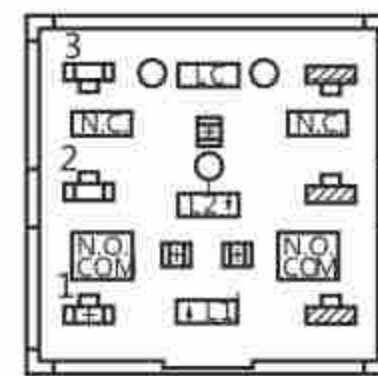
双极单灯



Bottom View

DP, 单色LED

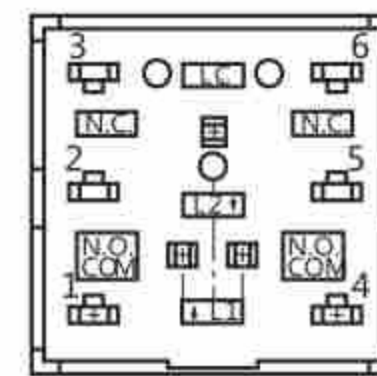
单极双灯



Bottom View

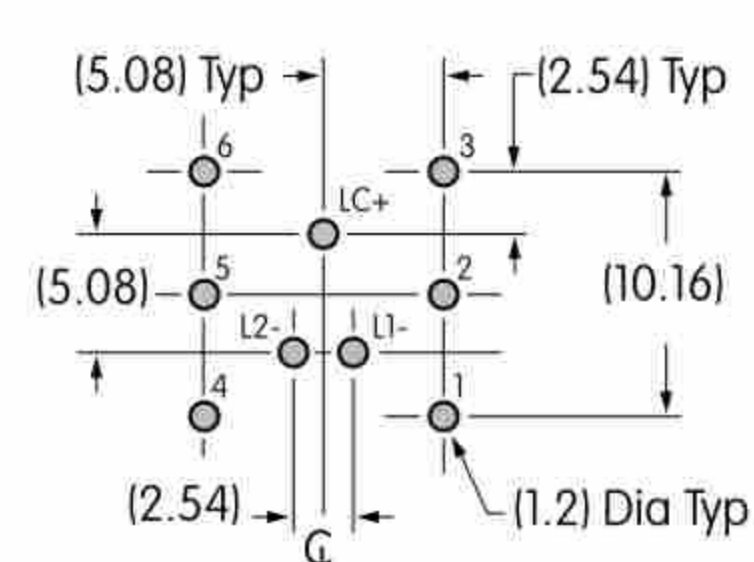
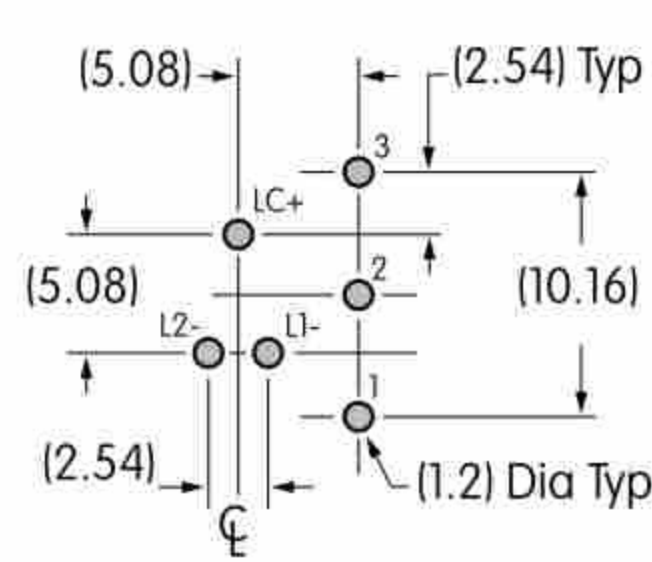
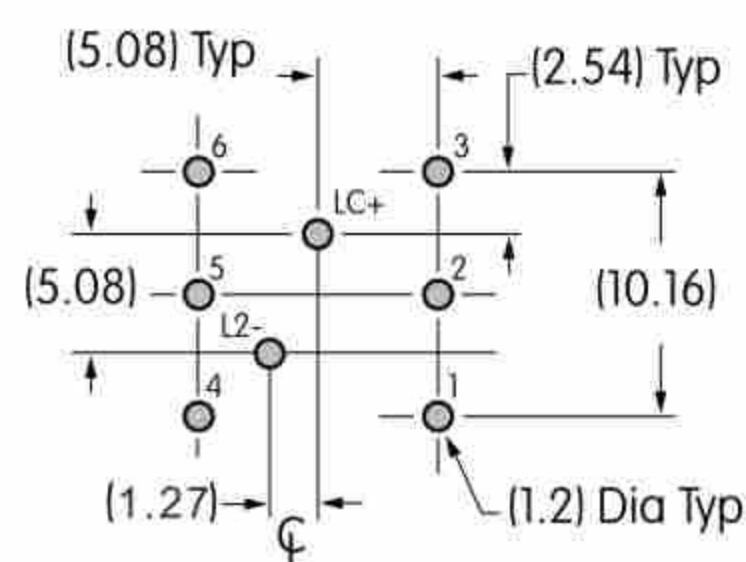
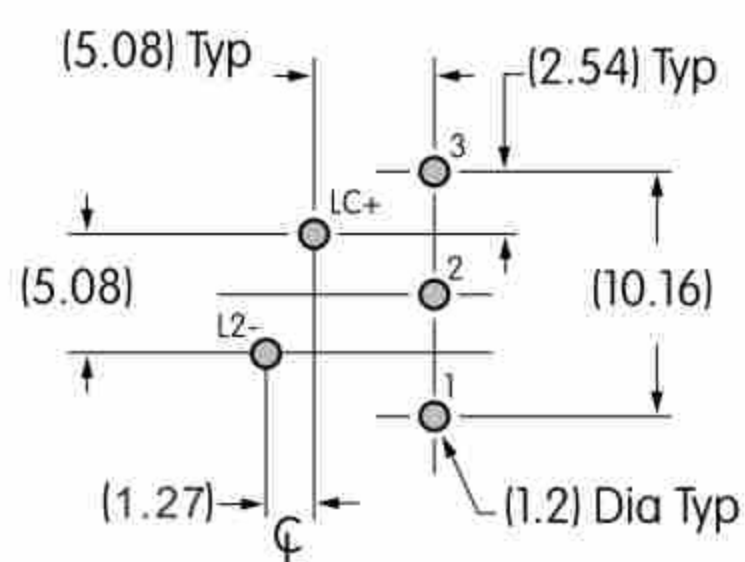
SP, 双色LED

双极双灯



Bottom View

DP, 双色LED



带灯轻触开关

带灯按钮开关

按钮开关

金属按钮开关

翘板开关

保险丝座

光电触摸开关

旋转开关