

PB07 SERIES PUSH BUTTON SWITCHES

带灯轻触开关

带灯按钮开关

按钮开关

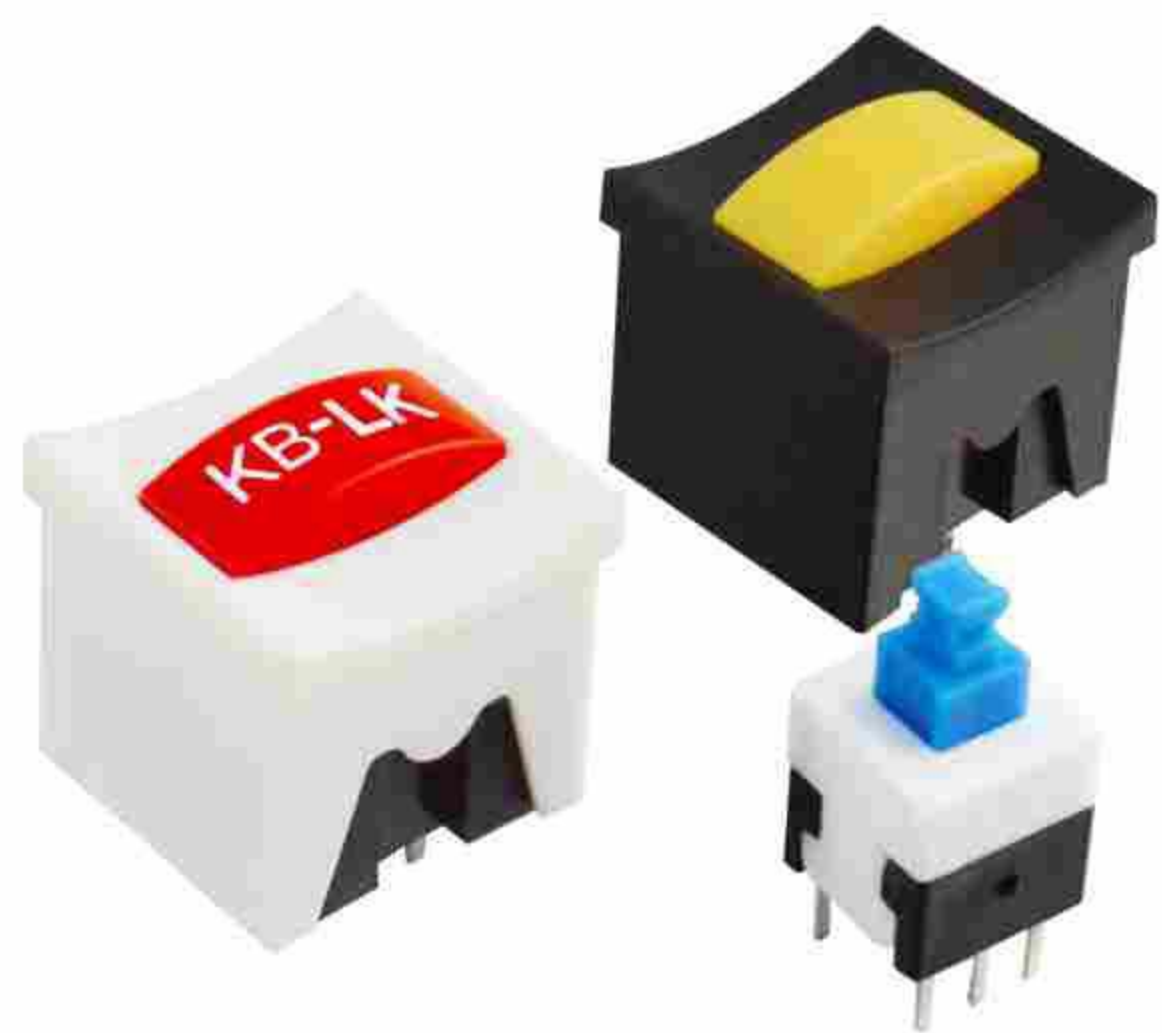
金属按钮开关

翘板开关

保险丝座

光电触摸开关

旋转开关

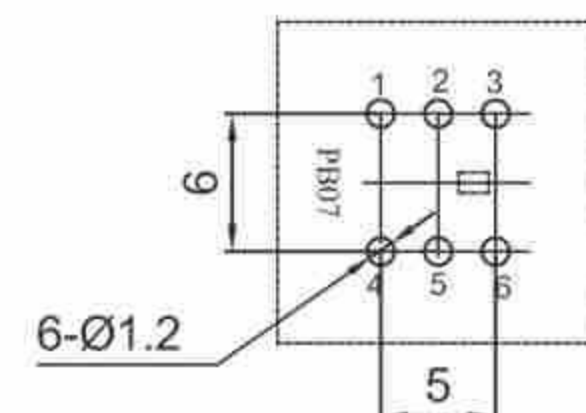
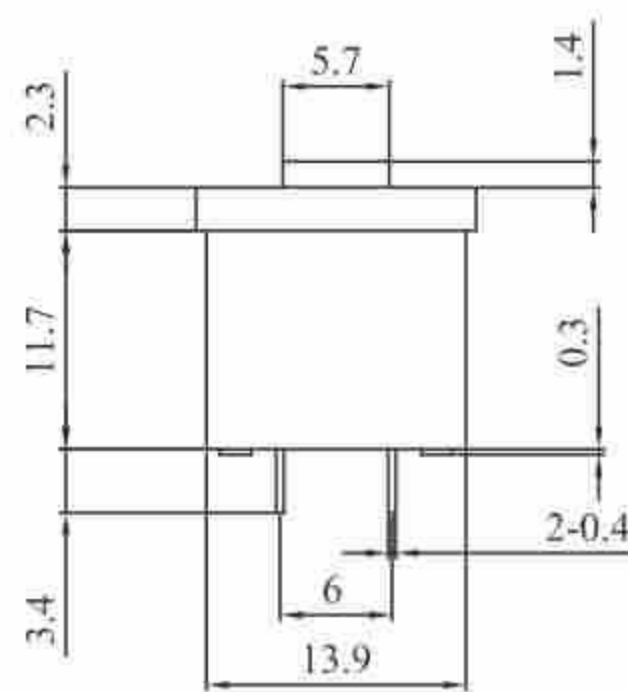
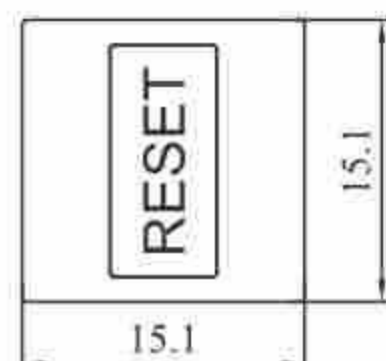


SPECIFICATIONS

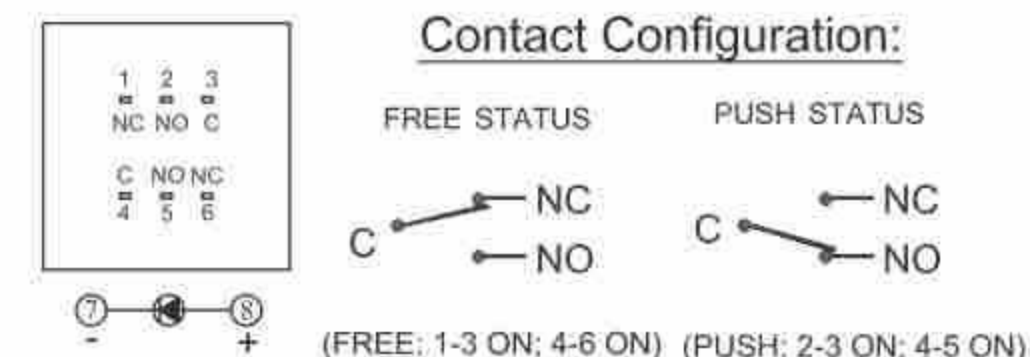
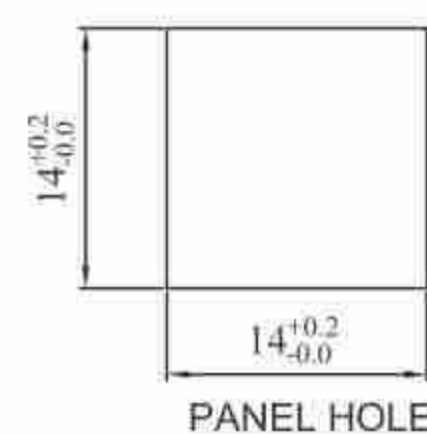
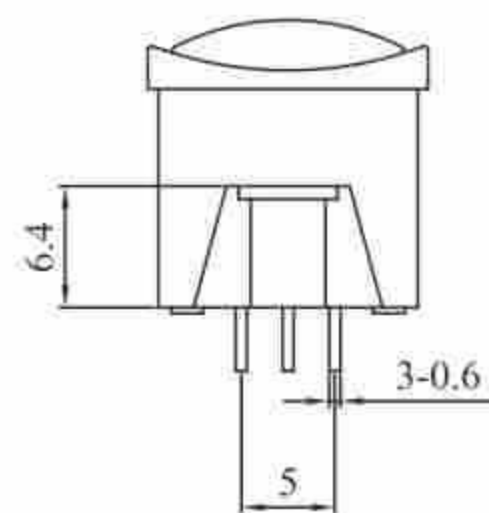
Current Rating	:100mA
Voltage Rating	:30VDC
Dielectric withstanding voltage	:250VAC for 1 minute
Contact Resistance	:100mΩ Max .(initial)
Insulation Resistance	:DC500V 100MΩ Min.
Operating Force	:200±100gf
Total Travel	:2.5±0.5mm
Operating Force	:200,000 Cycles Min
Soldear Specifications	:256°C for 5 Seconds
Operating Temperature	:-20°C~ +70°C



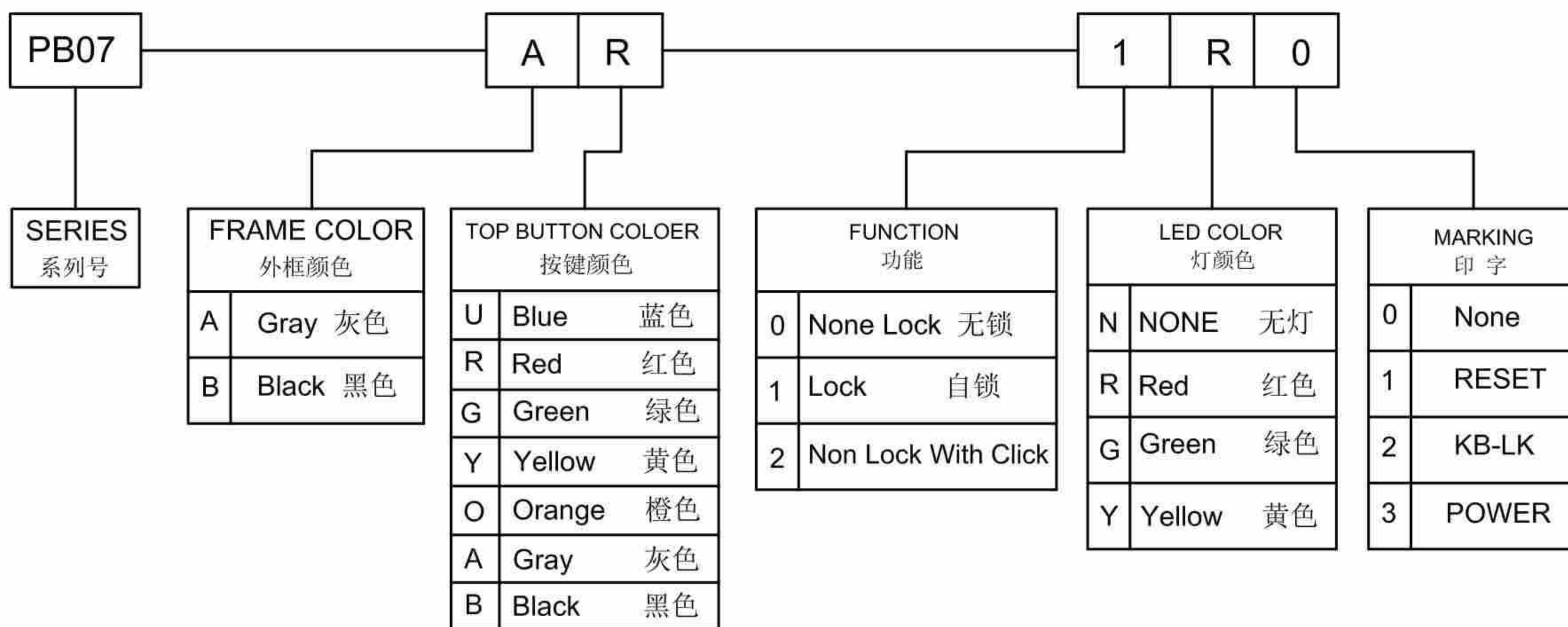
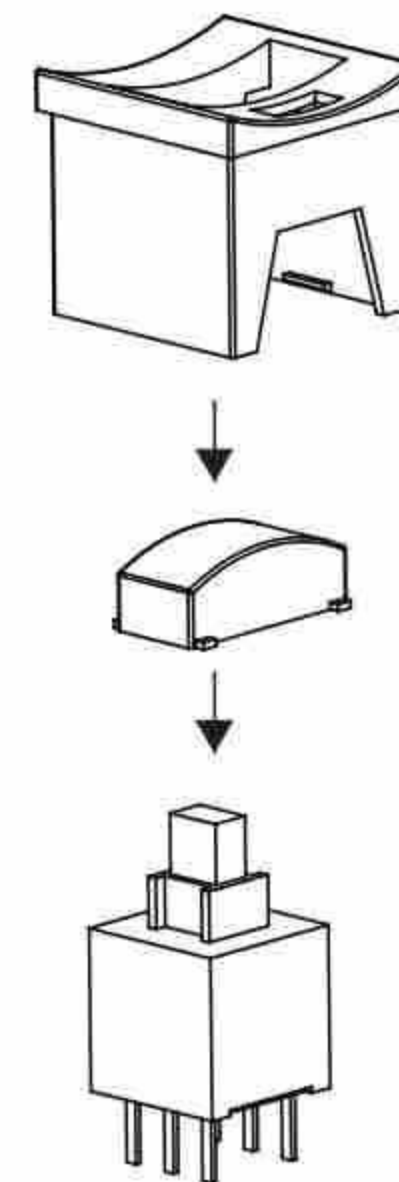
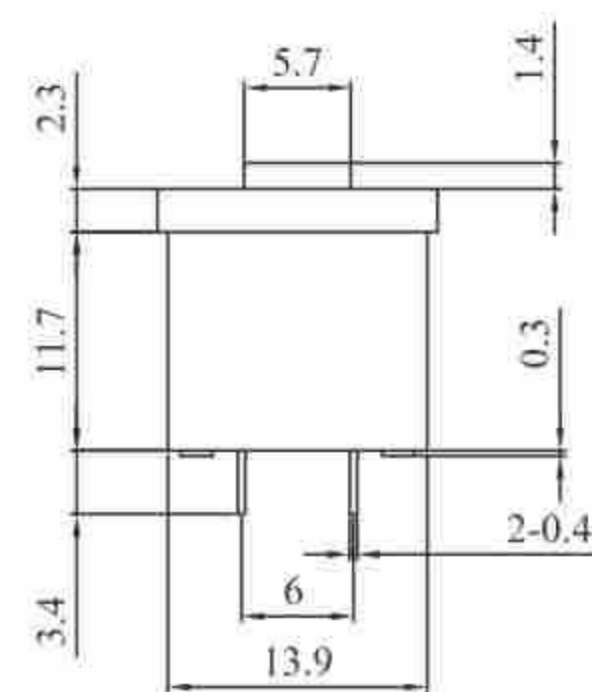
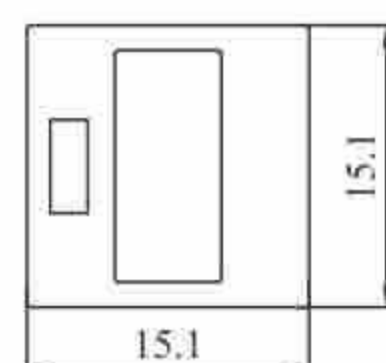
PB07-AU-1N1



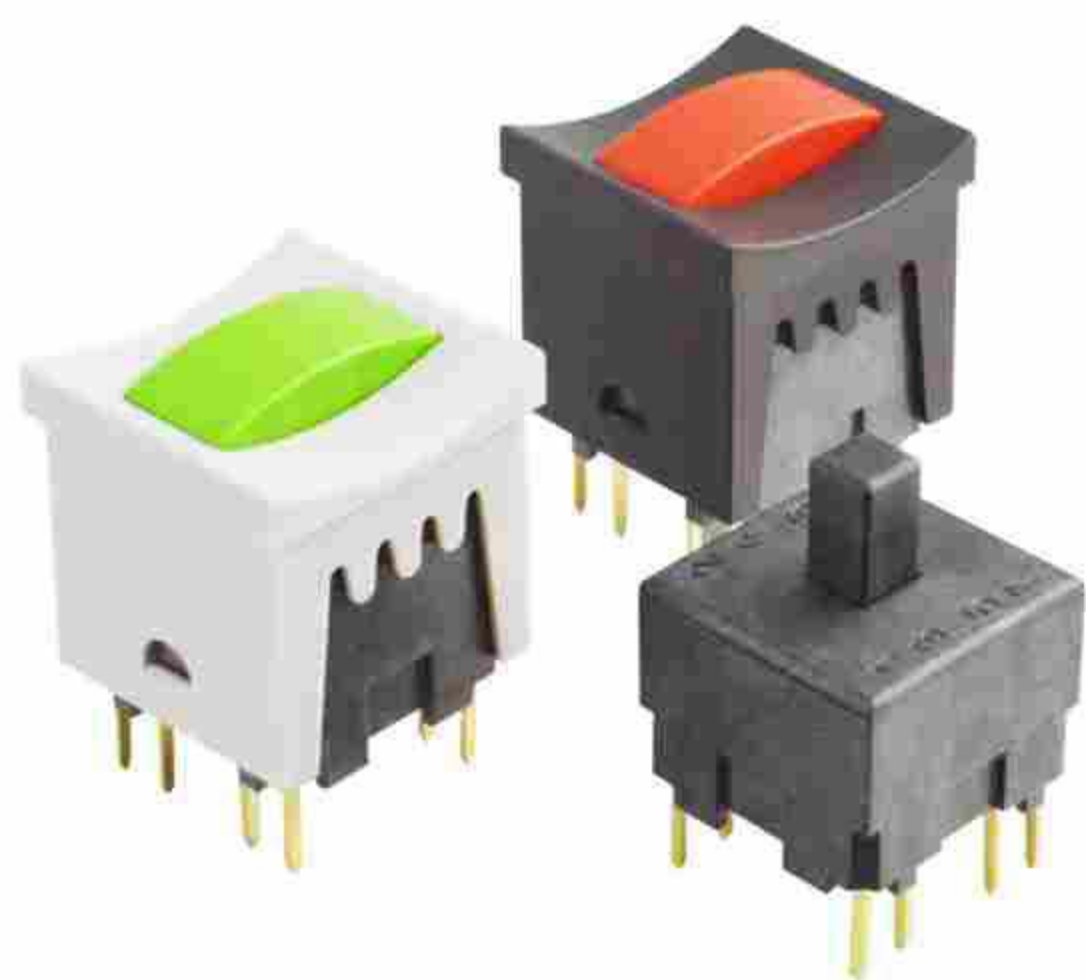
PCB HOLE(BOTTOM VIEW)



PB07-BR-OR2



PB07A SERIES PUSH BUTTON SWITCHES

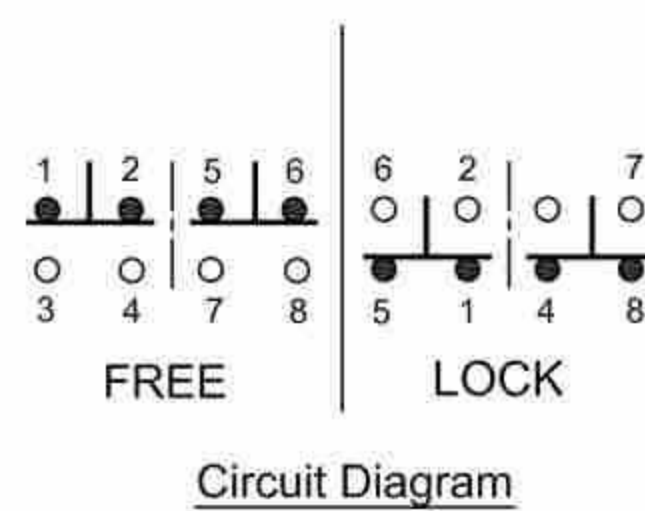
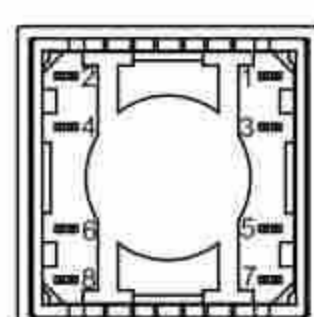
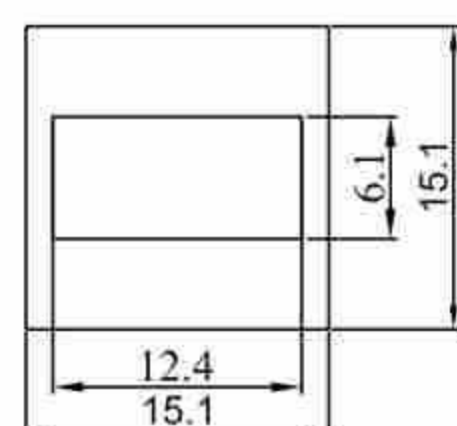
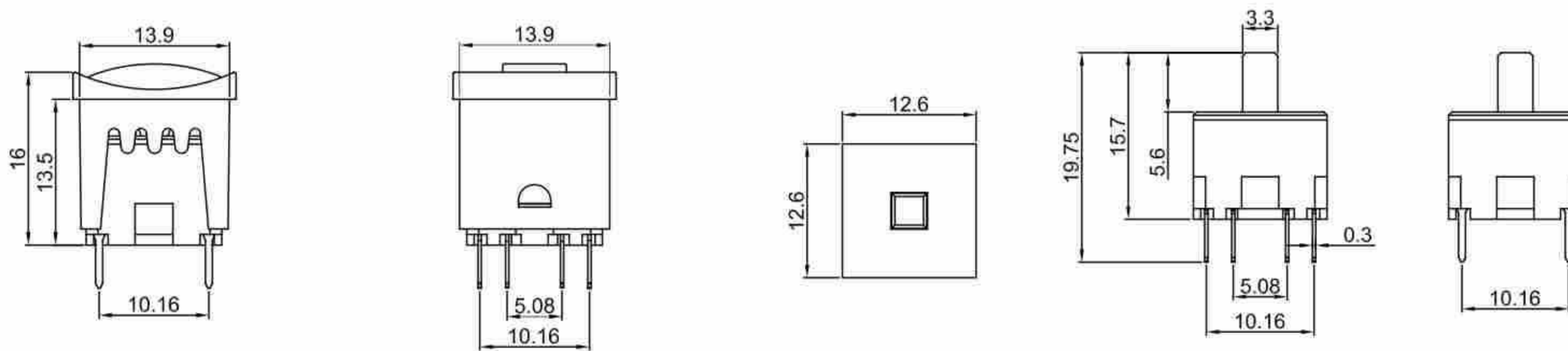


SPECIFICATIONS

Current Rating	:250mA/120V/9W AC /6W DC
Dielectric withstanding voltage	:1000VAC for 2 minute
Contact Resistance	:100mΩ Max
Insulation Resistance	:100MΩ Min.
Operating Force	:250±50gf
Total Travel	:1.8±0.4mm
Operating Force	:500,000 Cycles Min
Solder Specifications	:256°C for 5 Seconds
Operating Temperature	:-40°C~ +160°C



PB07A-N-NN-MNN



MATERIAL:

Outer Frame: ABS
Base: LCP
Actuator: ABS
Terminal: Brass, Gold plated



B07A-A-BG-AG0

