

PB09 SERIES PUSH BUTTON SWITCHES

带灯轻触开关

带灯按钮开关

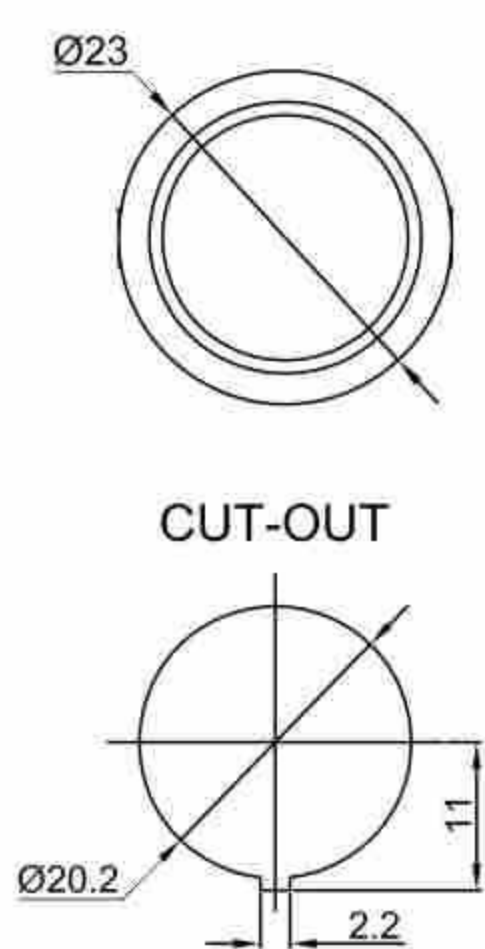


SPECIFICATIONS

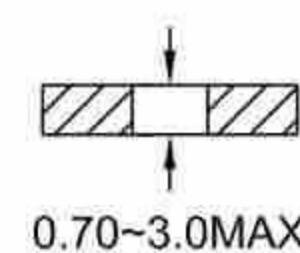
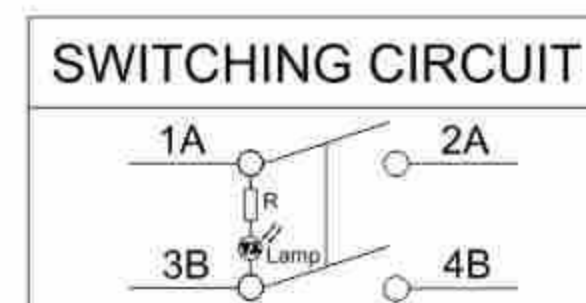
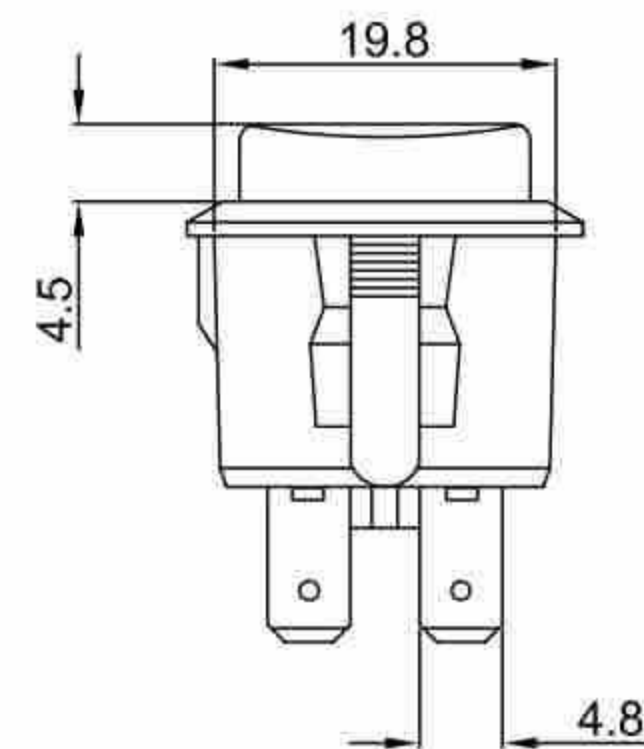
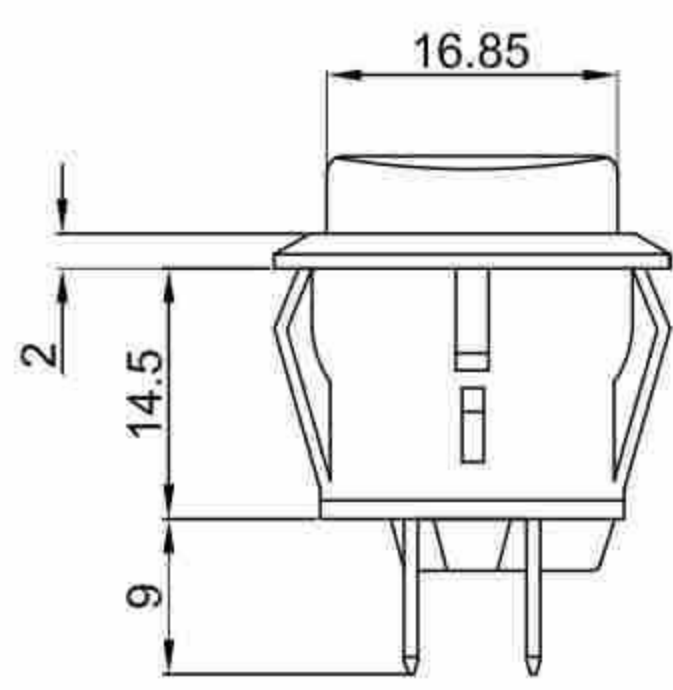
Rating	:10A 125V AC /6A 250VAC
Contact Resistance	:50mΩ Max
Insulation Resistance	:DC500V 100mΩMin
withstand Voltage	:1500VAC for 1 Minute
Operating Force	:700±200gf
Travel	:5.0±0.5mm
Life Cycle	:10,000Cycles Min
Function	:OFF-ON

按钮开关

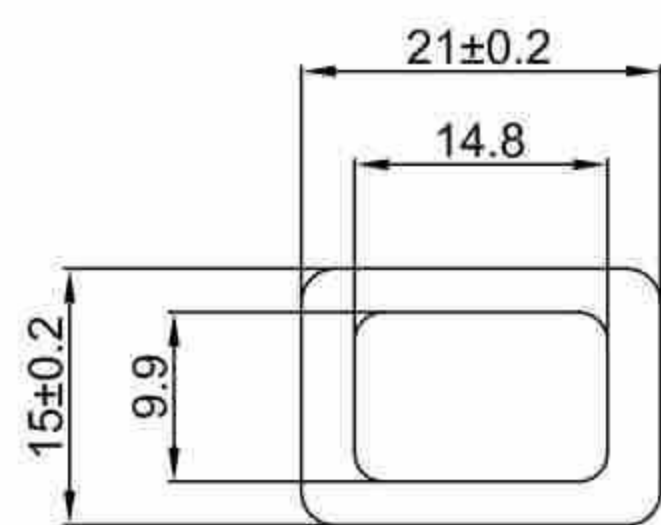
金属按钮开关



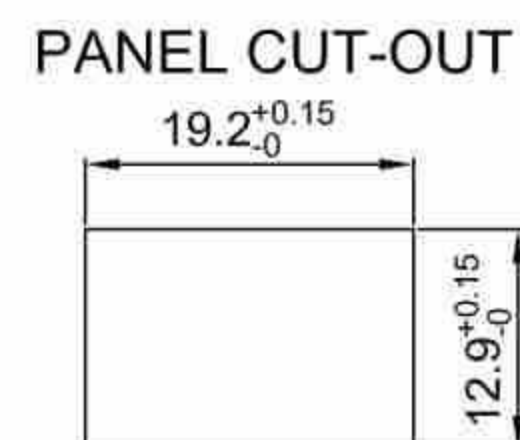
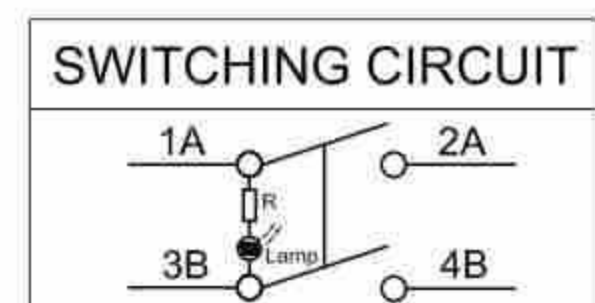
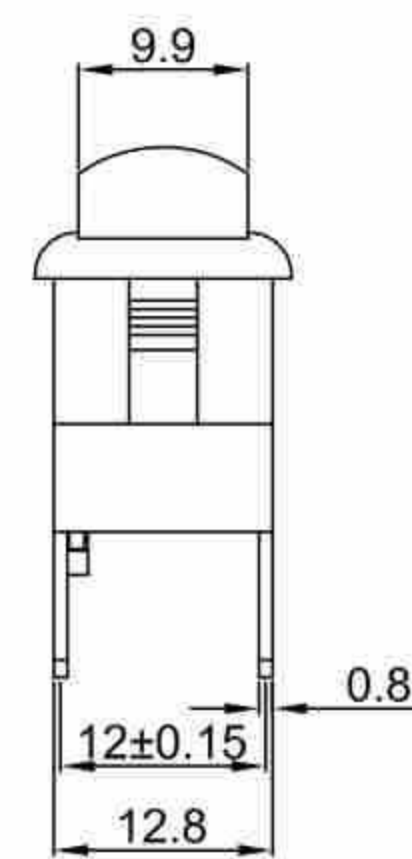
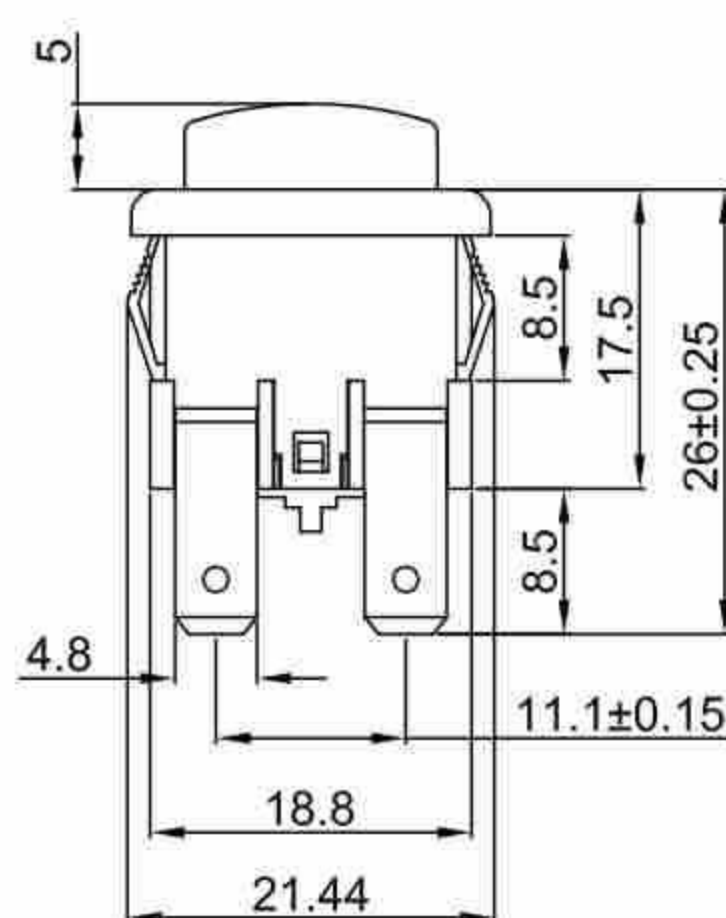
PB09-B-22M-0-R0E-BR-220



翘板开关



PB09-A-22Z-0-R0L-BT-220



保险丝座

光电触摸开关

旋转开关

