

# PB13 SERIES PUSH BUTTON SWITCHES



PB13-A1-BN-S



PB12-A1-UN-S



PB13-A3-RN-G



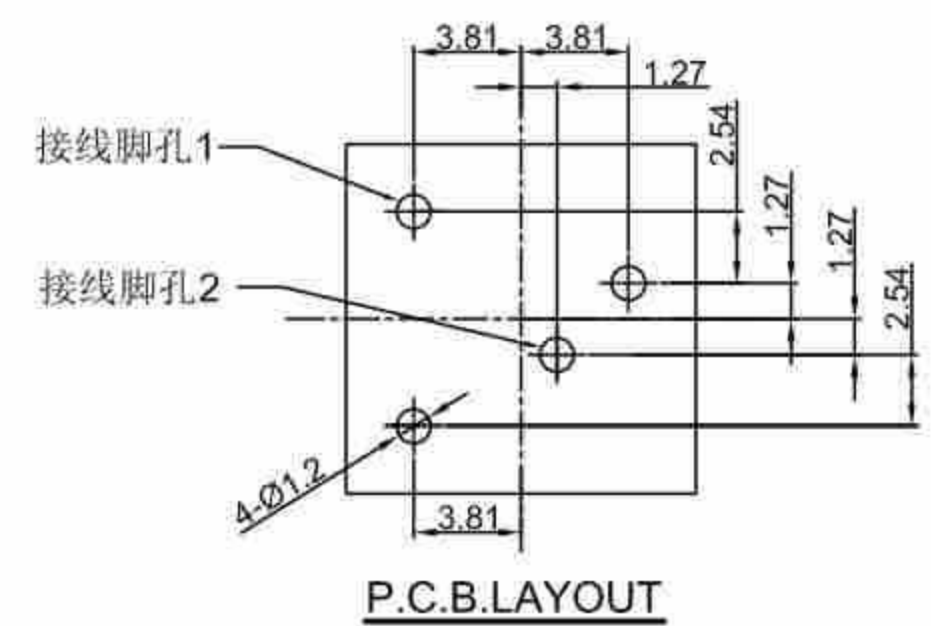
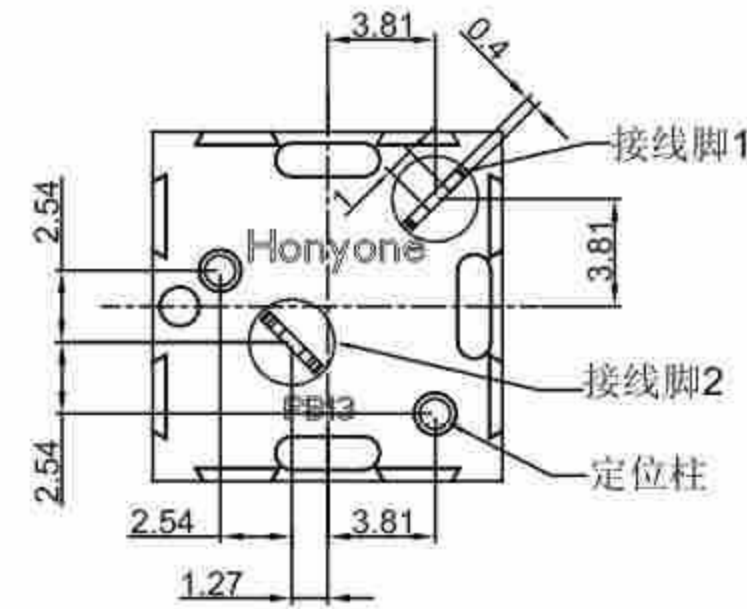
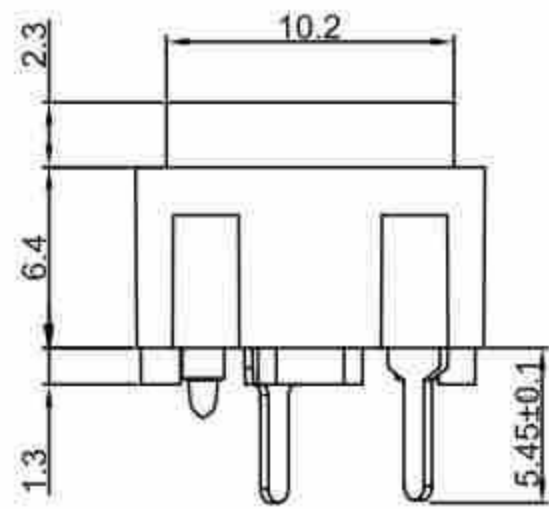
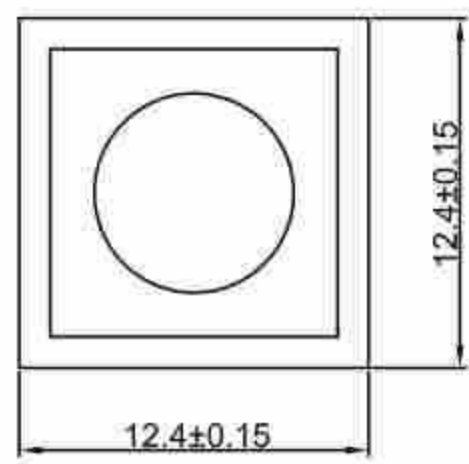
PB13-B1-RN-G

## SPECIFICATIONS

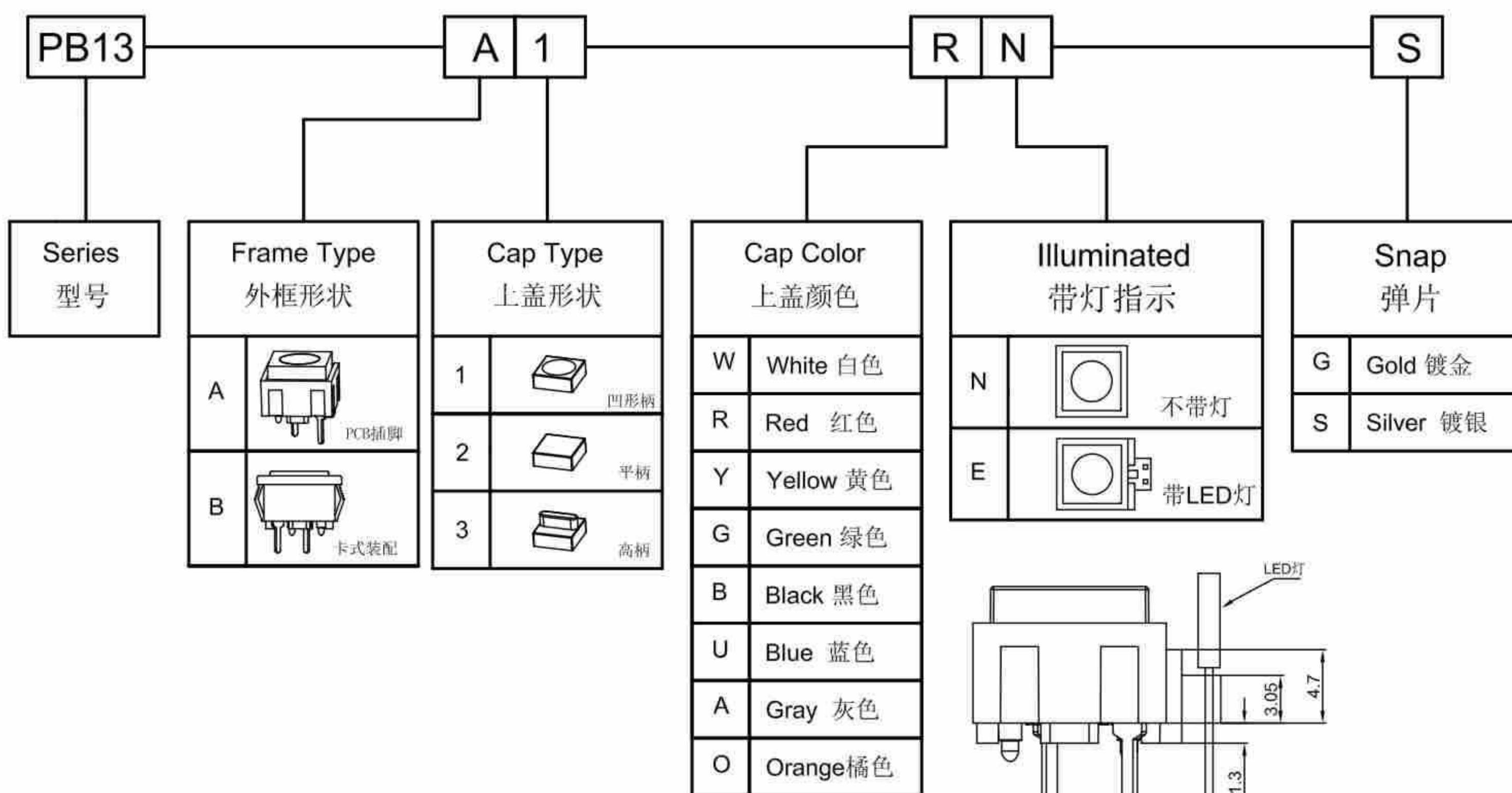
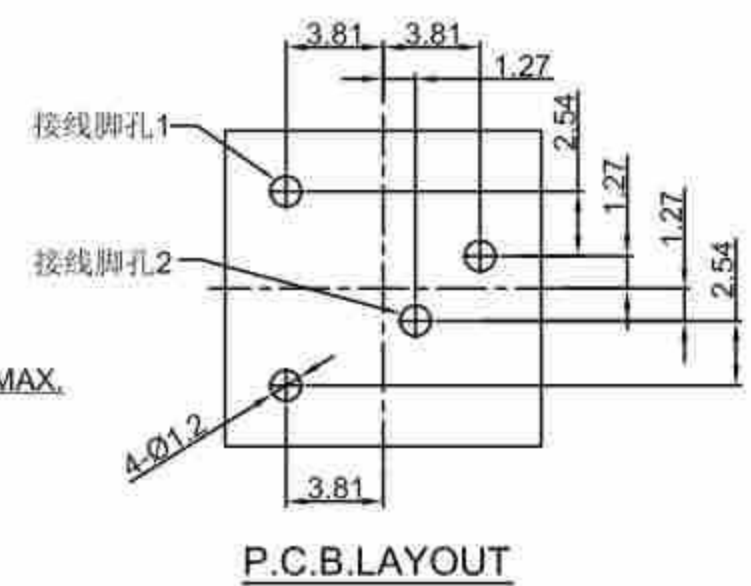
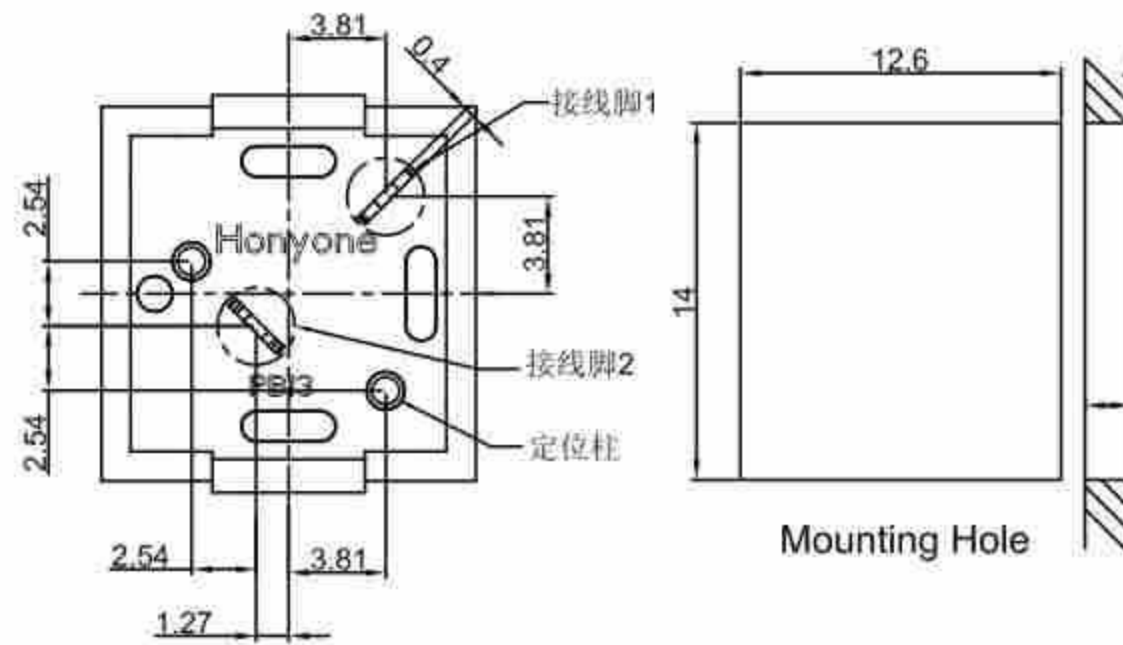
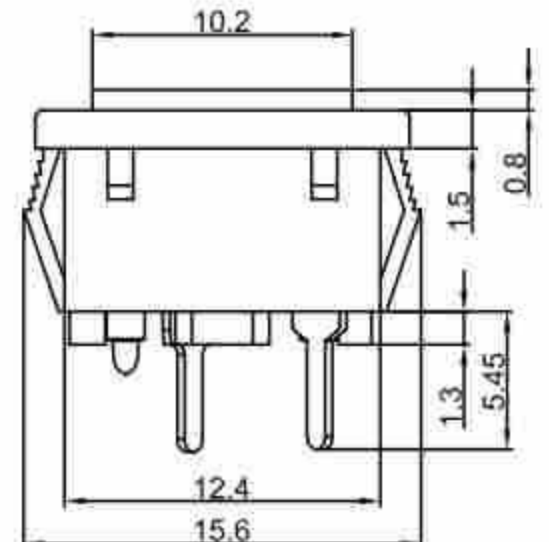
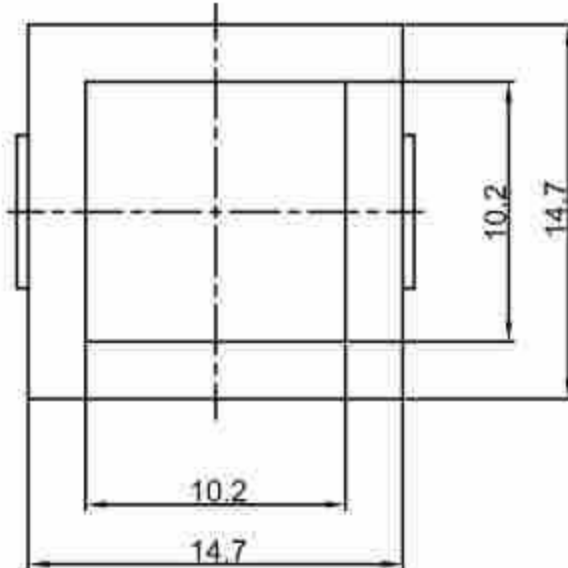
Rating	:0.5A 30VDC 0.25A 50VAC
Contact Resistance	:50mΩ Max
Insulation Resistance	:100MΩ Min.
withstand Voltage	:1000VAC for 1 Minute
Operating Force	:300±100gf or 400±100gf
Travel	:1.0±0.25mm
Life Cycle	:100,000Cycles
Function	:Momentary
Operating Temperature	:256°C for 5 Seconds



PB13-A1-RN-S



PB13-B-GN-S



带灯轻触开关

带灯按钮开关

按钮开关

金属按钮开关

翘板开关

保险丝座

光电触摸开关

旋转开关