

# PB21 SERIES LED PUSH BUTTON SWITCHES

带灯轻触开关

带灯按钮开关

按钮开关

金属按钮开关

翘板开关

保险丝座

光电触摸开关

旋转开关



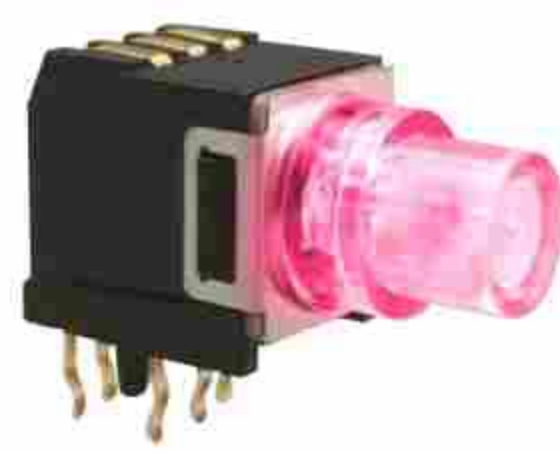
PB21-W

PB21-O

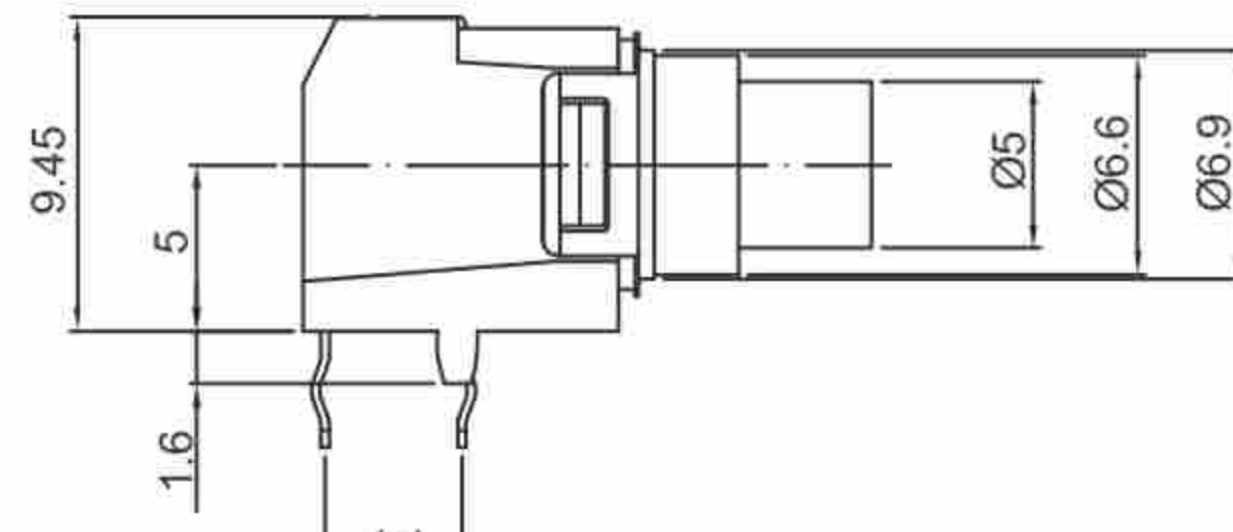
PB21-U

## SPECIFICATIONS

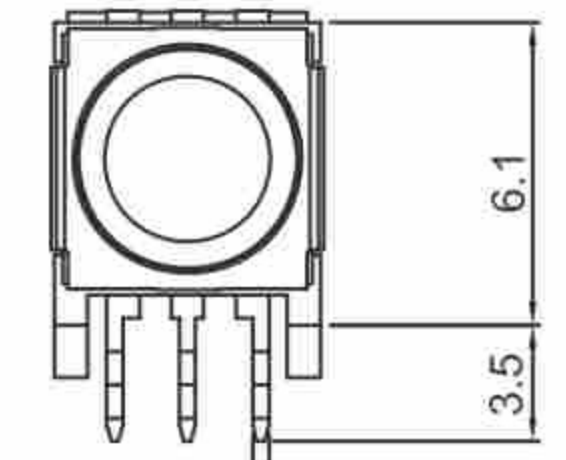
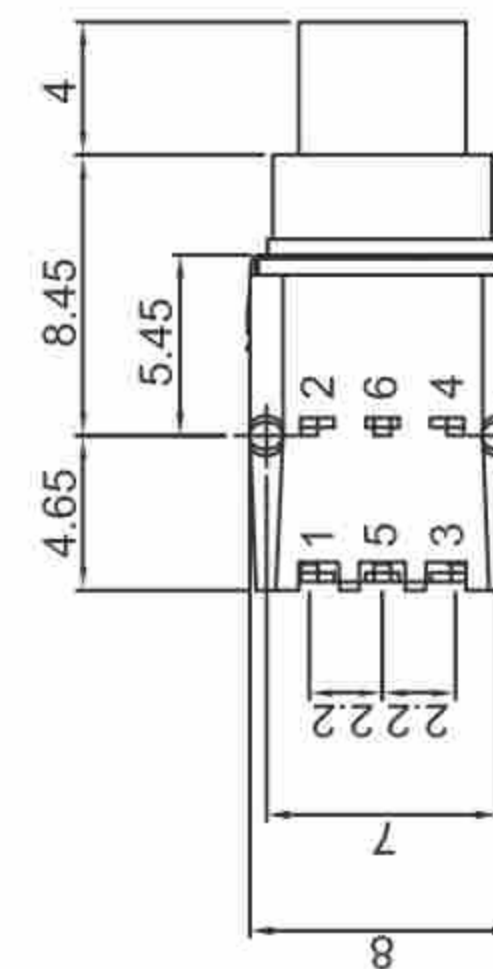
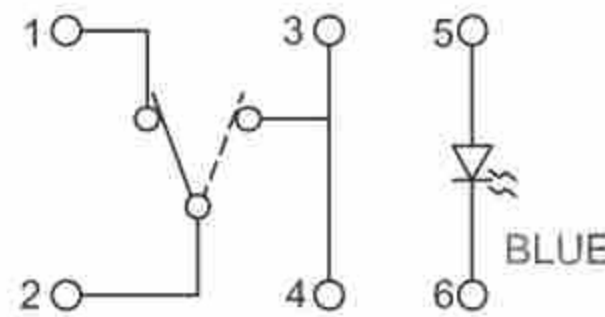
Circuit	: SPDT
Current Rating	: 0.1A
Voltage Rating	: 32VDC
Dielectric withstanding voltage	: 250VAC for 1 minute
Contact Resistance	: 100mΩ Max. (initial)
Insulation Resistance	: 100MΩ Min.
Operating Force	: 400±25gf
Total Travel	: 2.0±0.4mm
Operating Force	: 500,000 Cycles Min
Solder Specifications	: 260°C for 3 Seconds
Function	: Momentary
Operating Temperature	: -20°C ~ +70°C



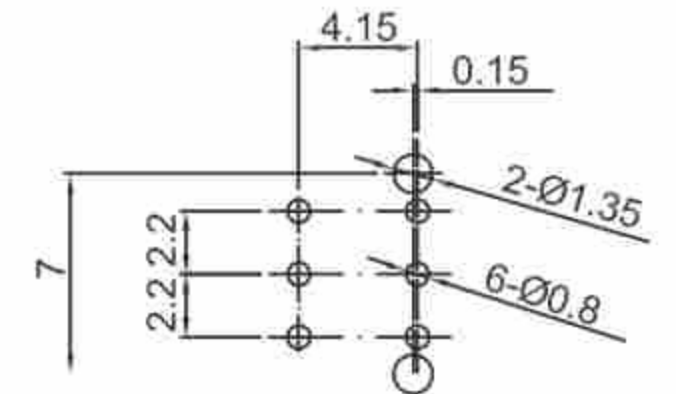
PB21-R



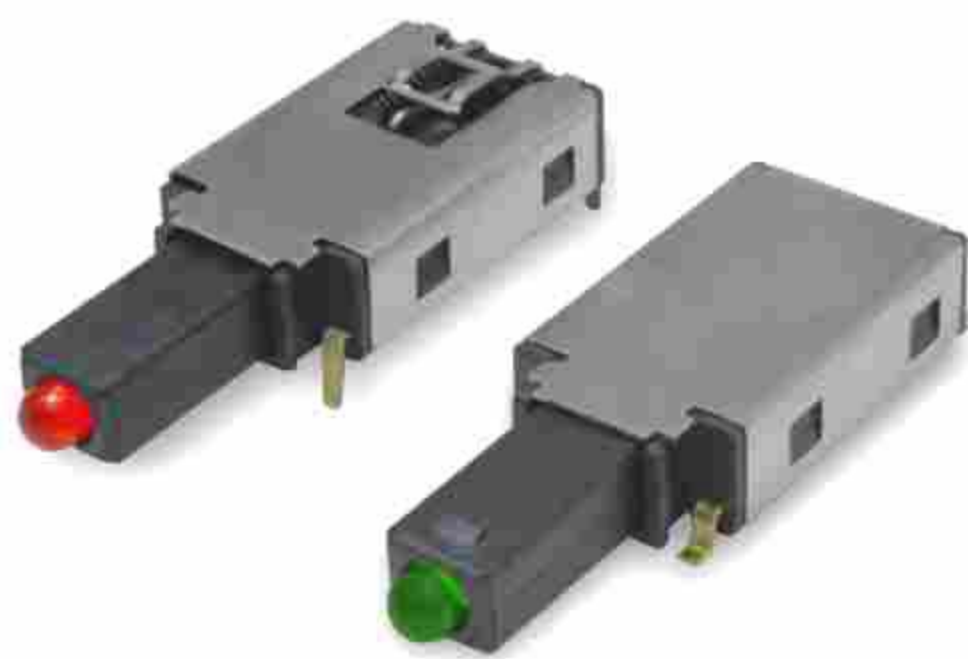
CIRCUIT



P.C.B. LAYOUT

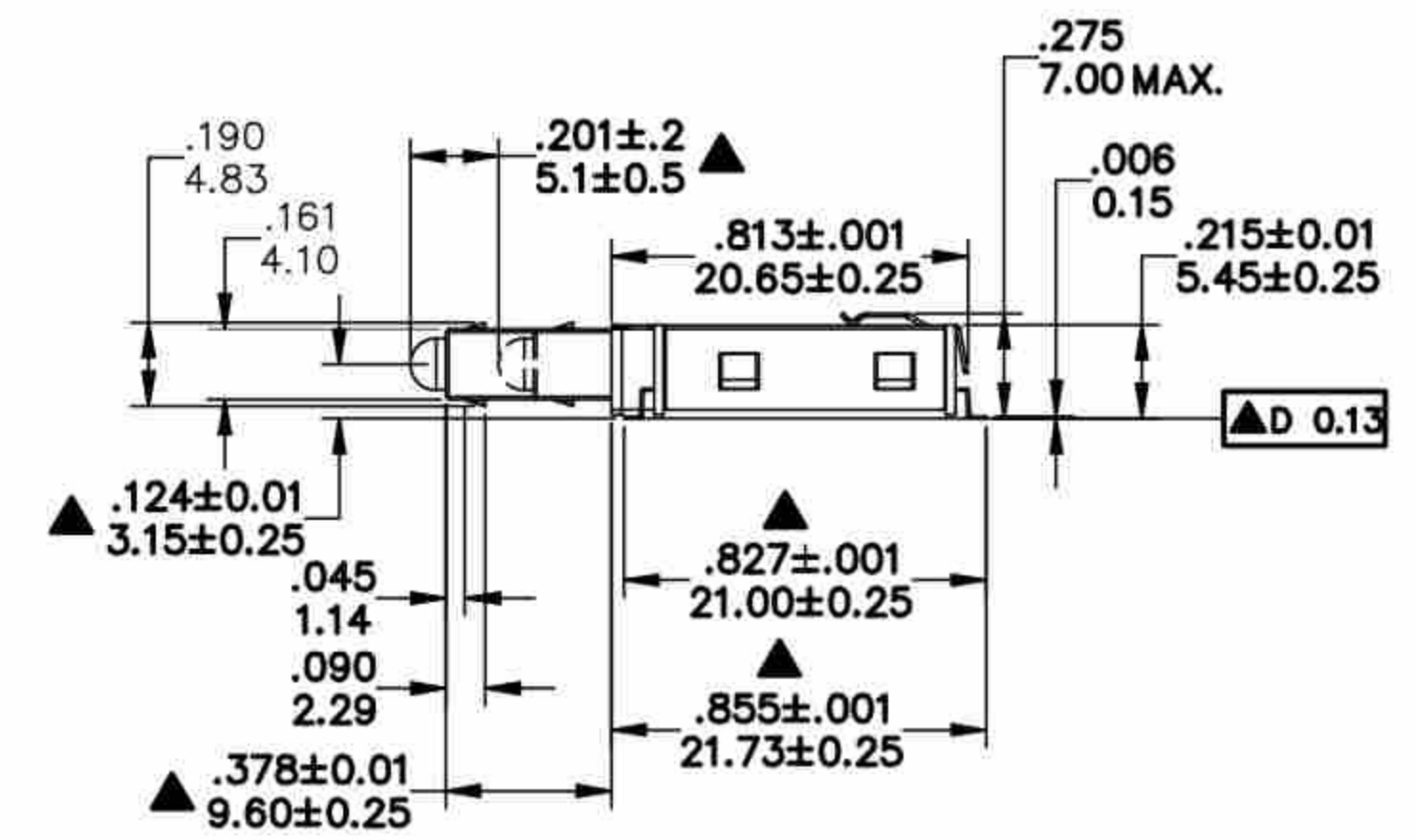
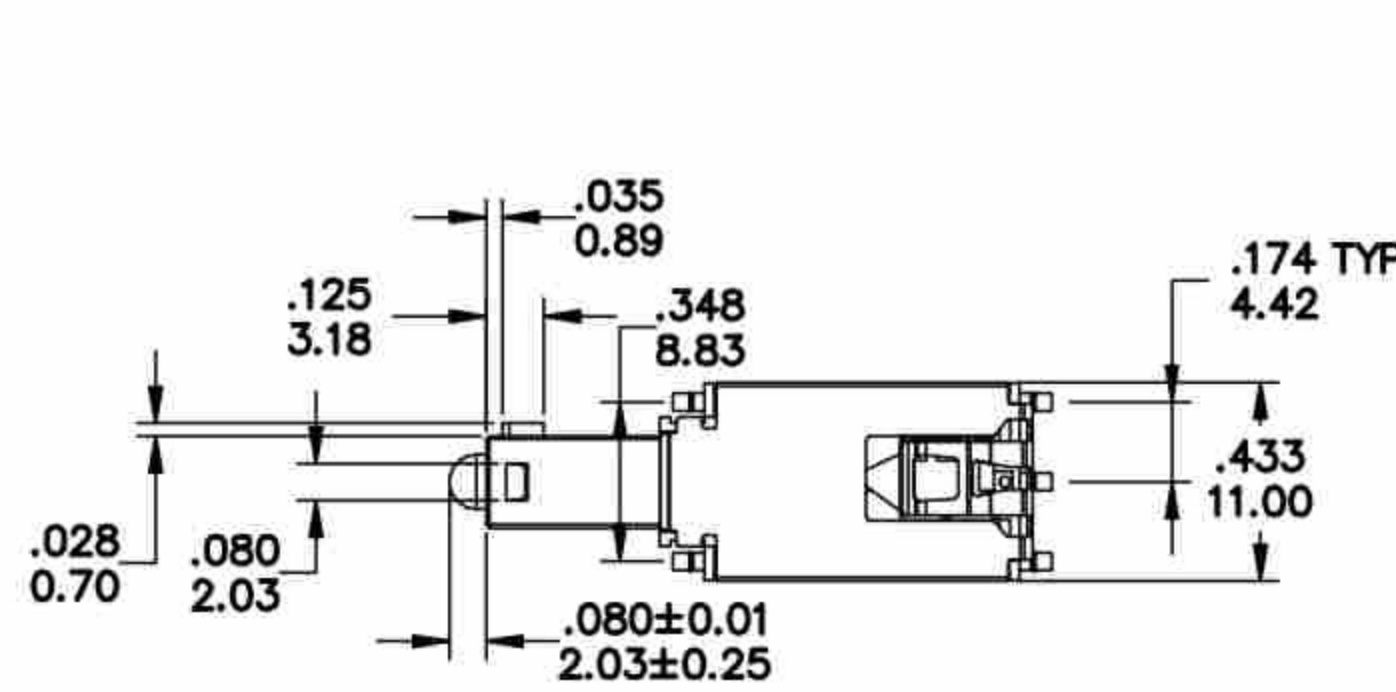


# PB31 SERIES LED PUSH BUTTON SWITCHES

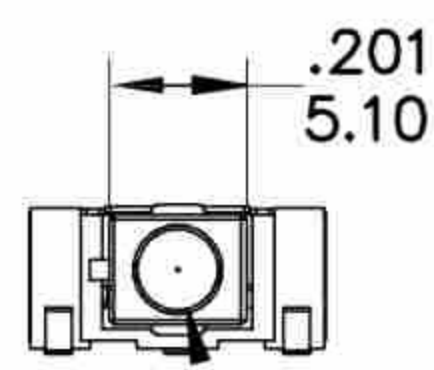


PB31-L-R

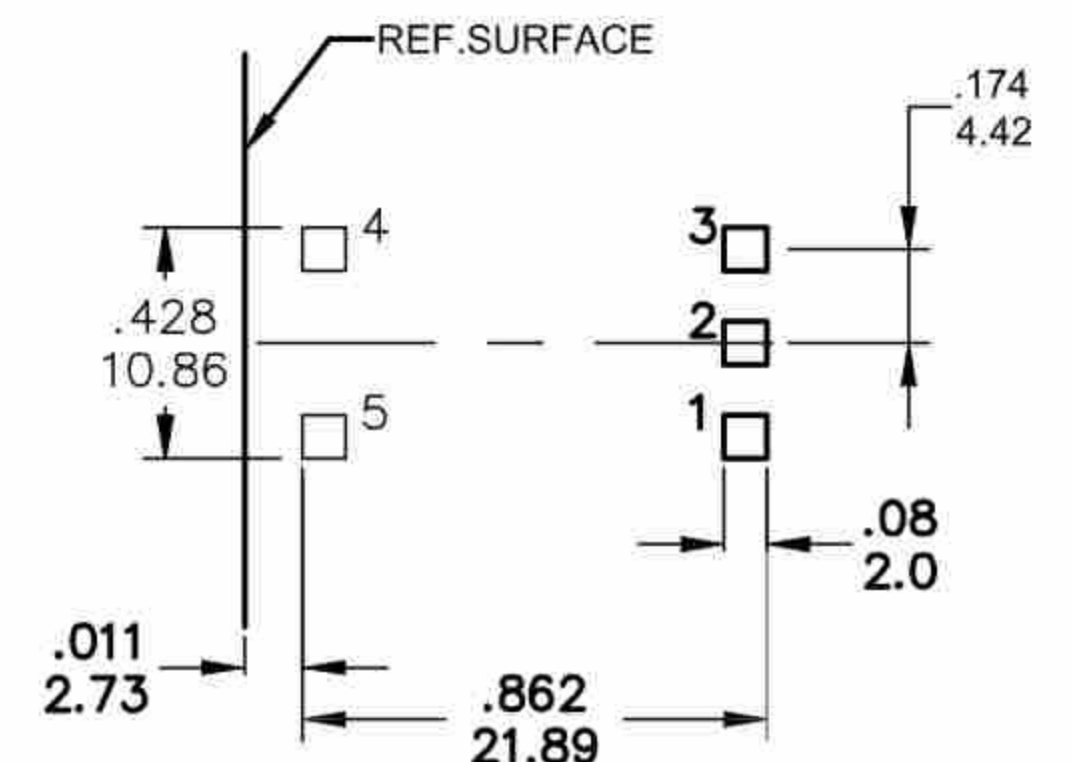
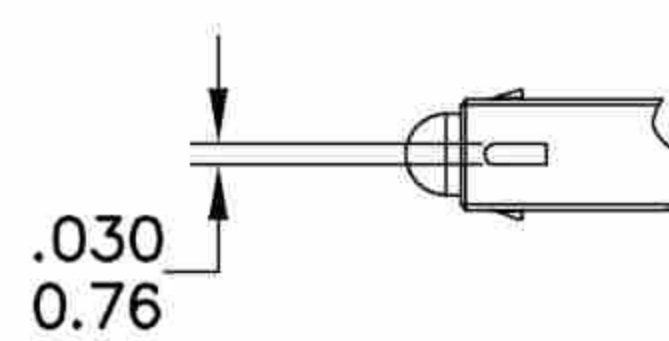
PB31-P-G



PB31-L-R



Ø1.18  
Ø3.00



PCB MOUNTING



# PB11 SERIES LED PUSH BUTTON SWITCHES



PB11-1-10-0NB



PB11-1-10-0R



PB11-1-10-0U



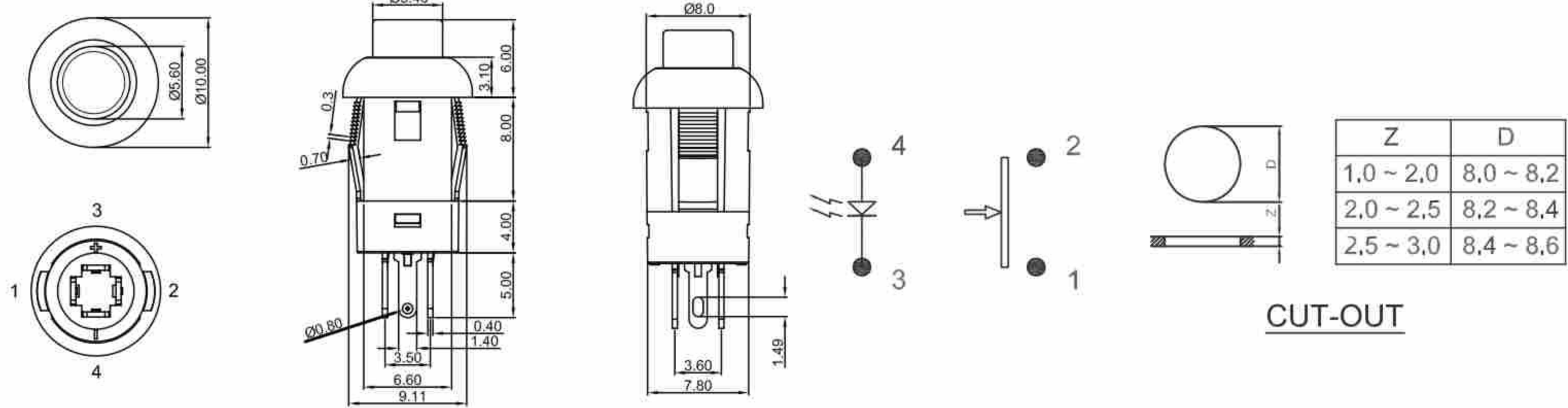
PB11-3-21-0R

## SPECIFICATIONS

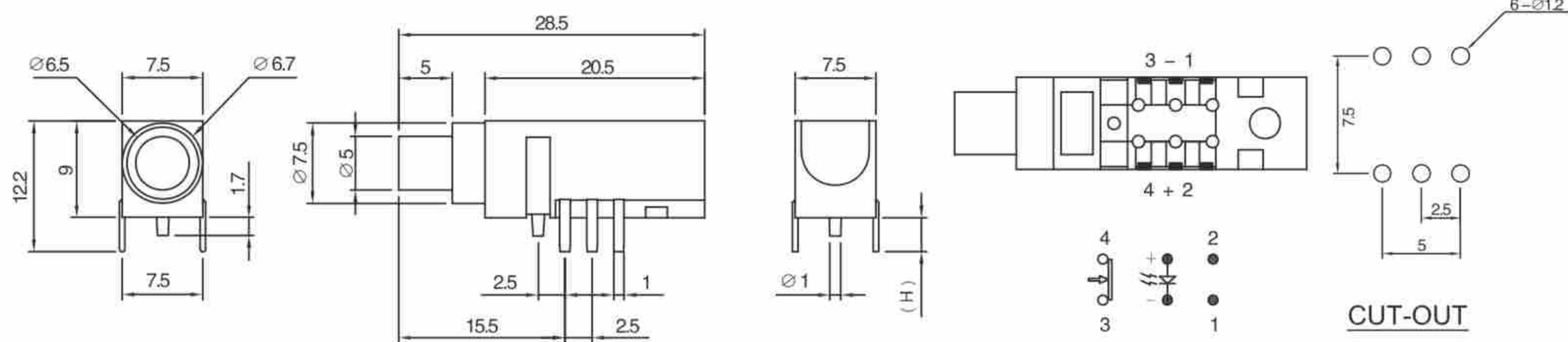
Rating	: 0.2A 36VDC
Current Rating	: 50mA
Contact Resistance	: 100mΩ Max. (initial)
Insulation Resistance	: 100MΩ Min.
Dielectric Strength	: AC 500 V 1minute
Operating life	: 10,000 Cycles Min
Operating Temperature	: -20°C ~ +85°C



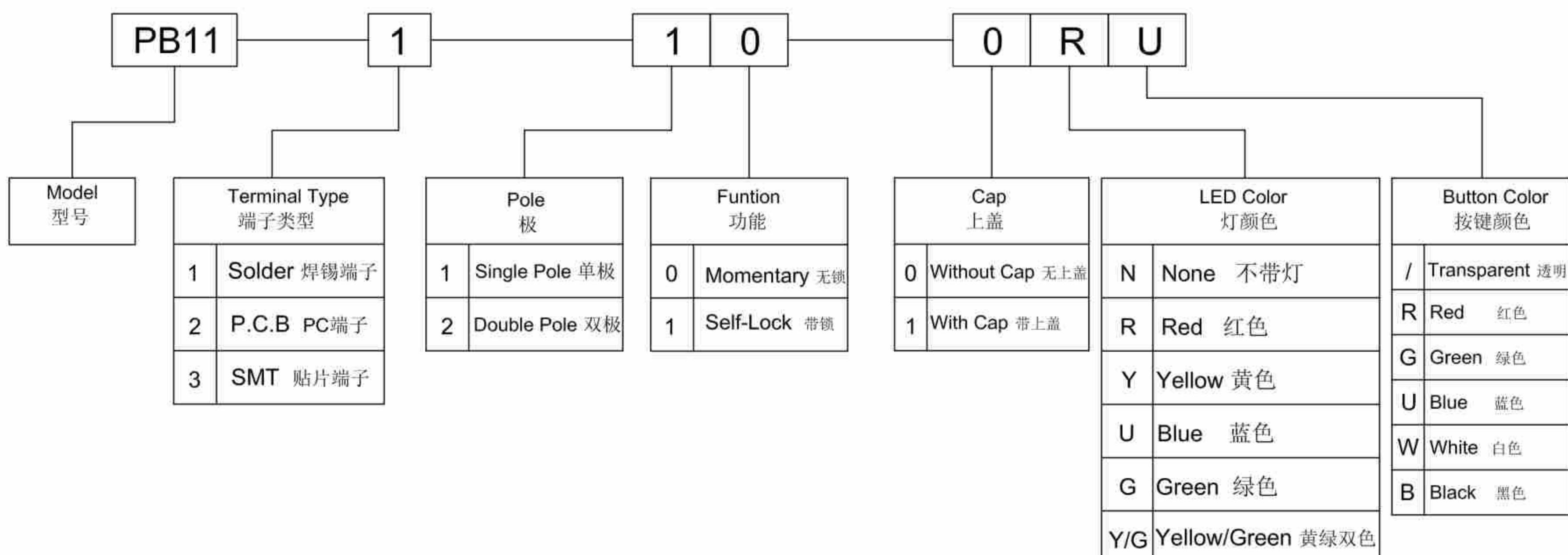
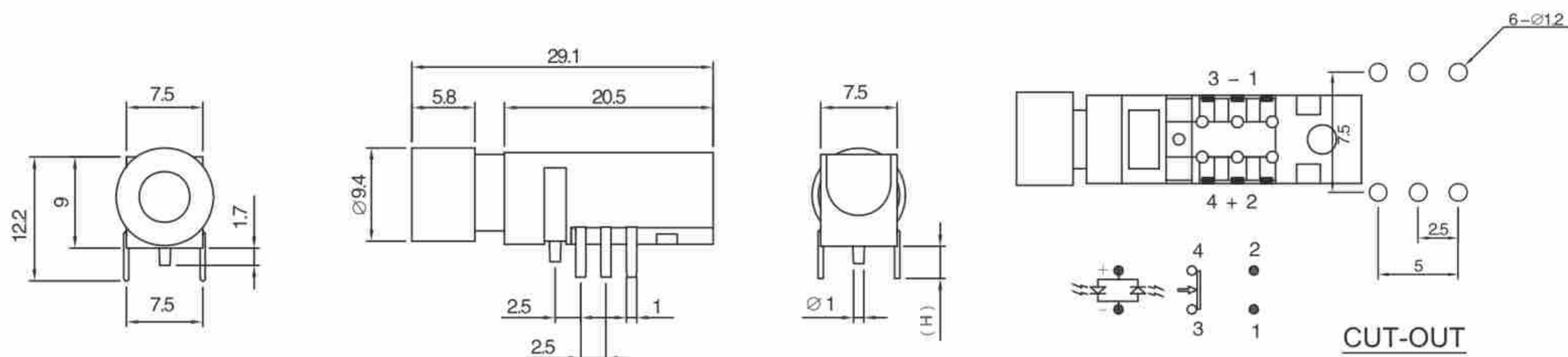
PB11-1-10-0W



PB11-2-21-0G



PB11-2-21-1RB



带灯轻触开关

带灯按钮开关

按钮开关

金属按钮开关

翘板开关

保险丝座

光电触摸开关

旋转开关



# PB36 SERIES LED PUSH BUTTON SWITCHES

带灯轻触开关

带灯按钮开关

按钮开关

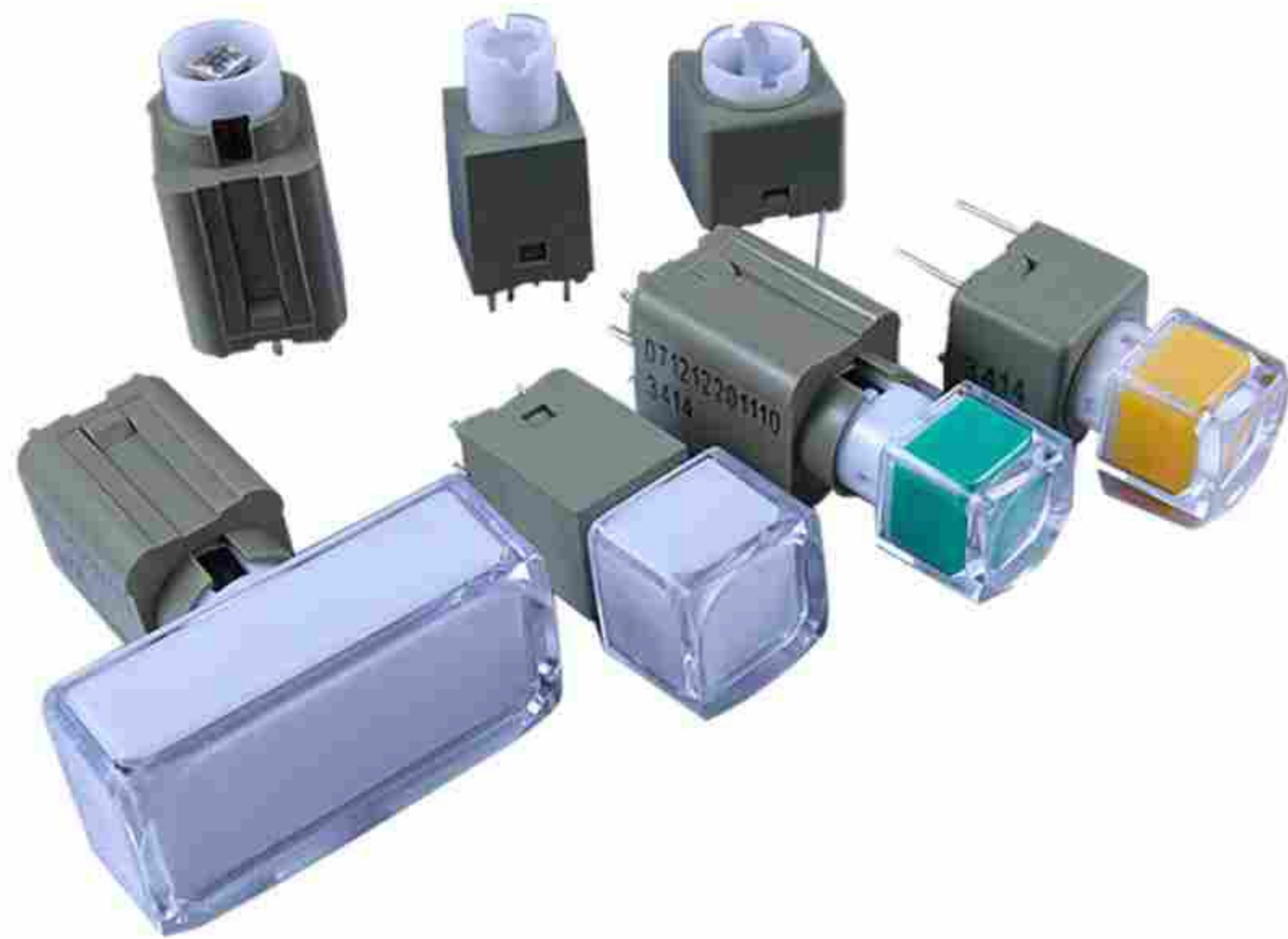
金属按钮开关

翘板开关

保险丝座

光电触摸开关

旋转开关

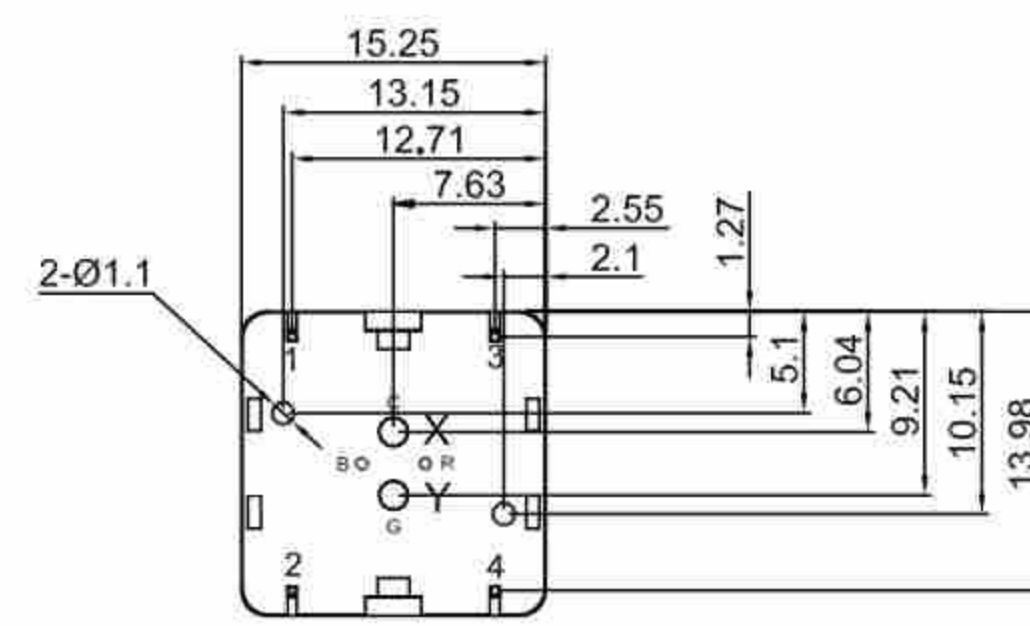
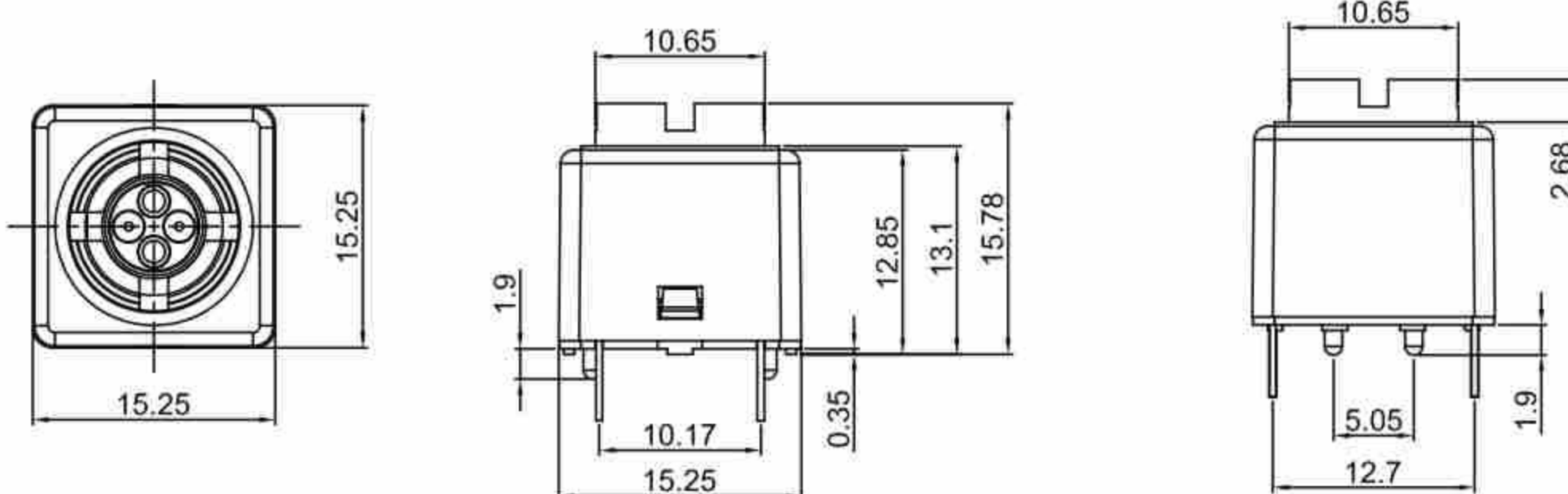


## SPECIFICATIONS

Circuit	: SPST
Current	: 500mA max
Switching Voltage	: 200VDC max
Contact Rating	: 10 Watts max
Breakdown Voltage	: 230 VDC
Initial Contact Resistance	: 150milliohms max
Insulation Across Contacts	: 10mega Ohms min
Capacitance@10kHz	: .2pF typical
Contact Bounce	: .6milliseconds max
Reed Life(With Proper Circuit)	: 50 million cycles min
Operating Temp.	: -40°C+90°C



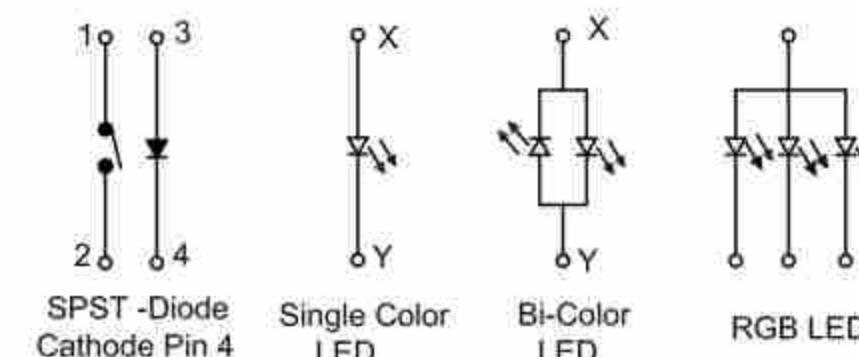
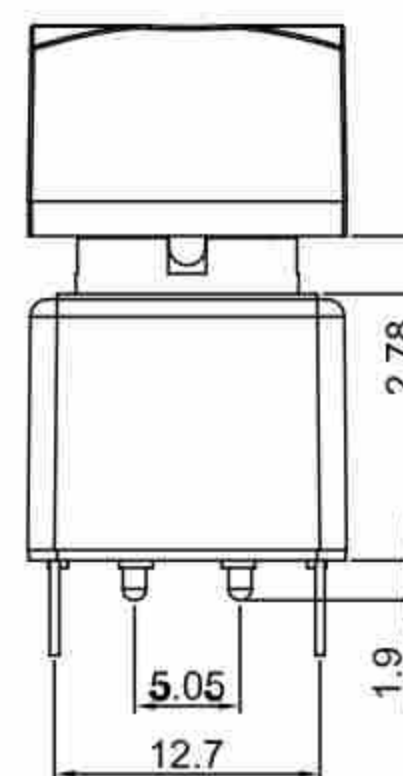
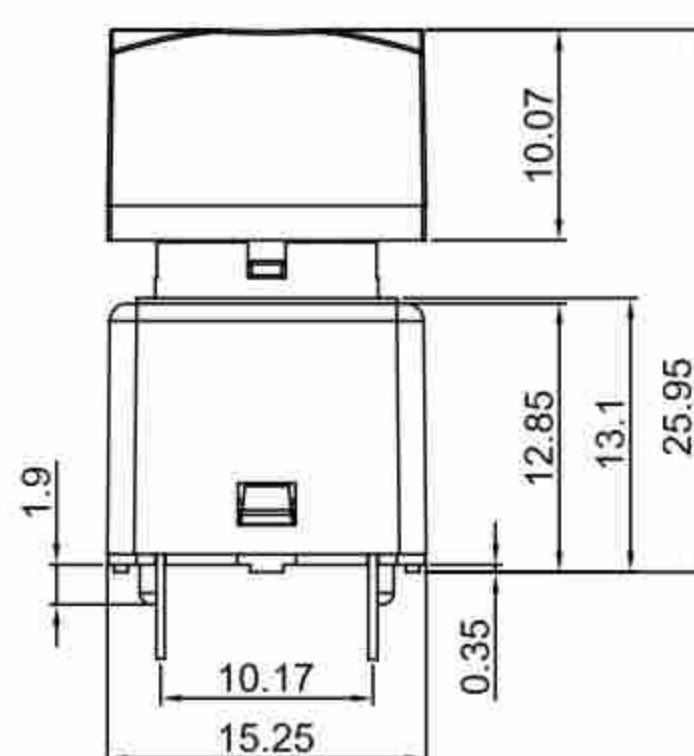
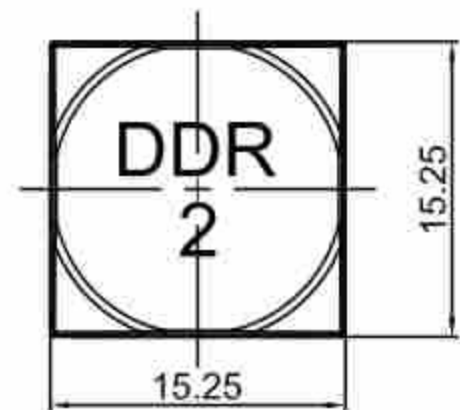
PB36-N-NN-N-NNN-11



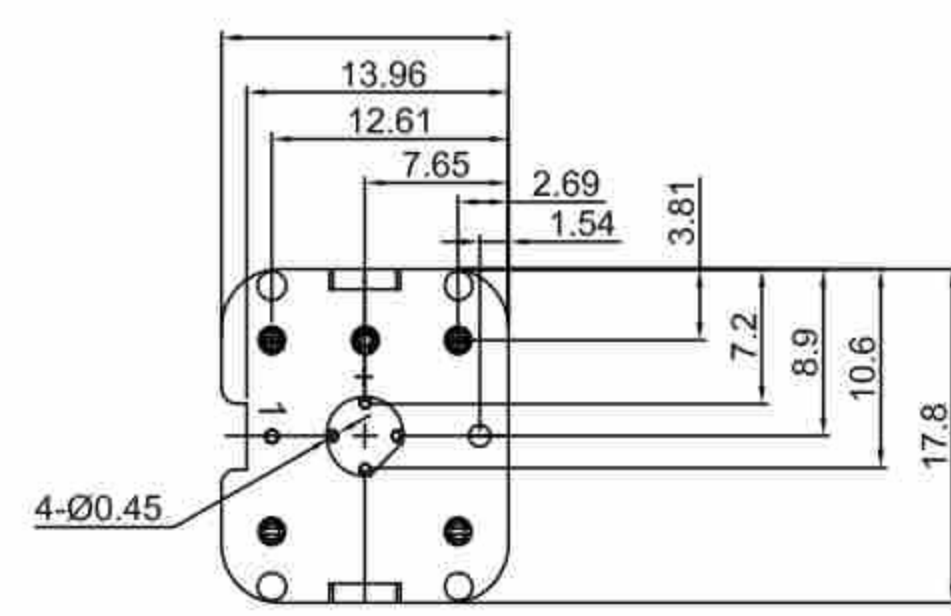
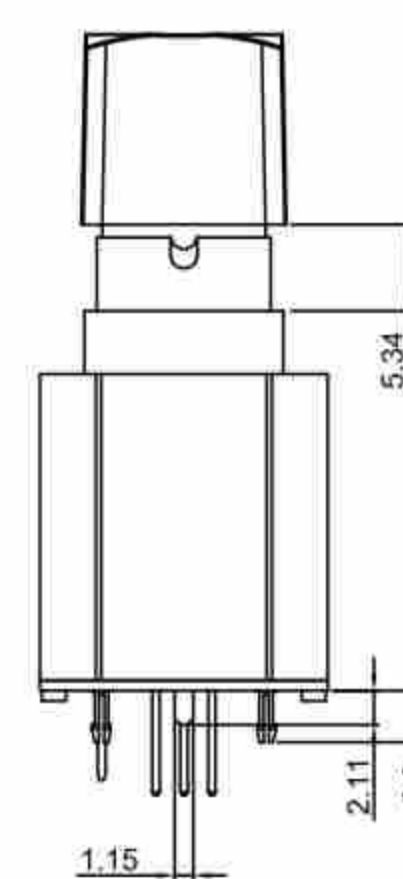
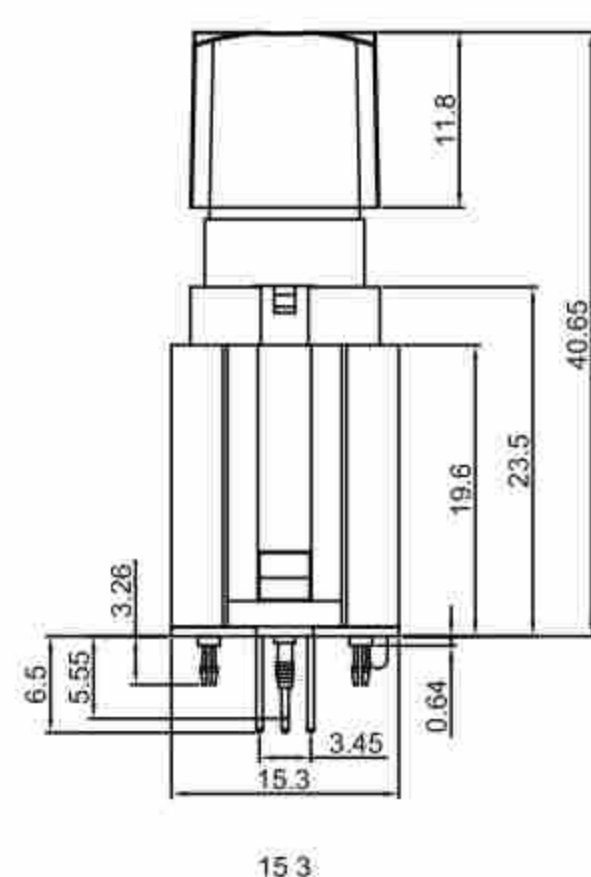
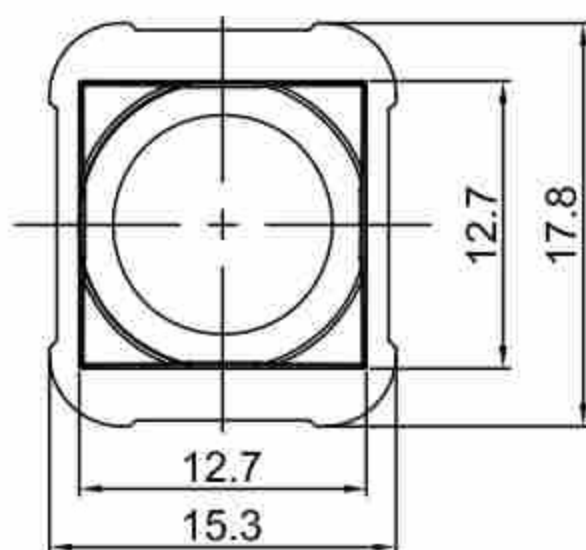
BOTTOM VIEW



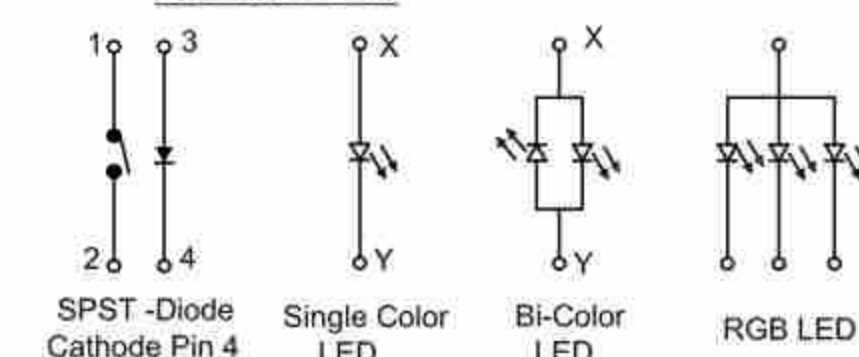
PB36-B-WY-Y-NNN-11



PB36-A-WG-G-NNN-32



BOTTOM VIEW



PB36	A	W T	R	N N N	1 1				
Model 型号	Cover the shape 上盖形状	Diffuser Plate Color 扩散片颜色	Cap Color 上盖颜色	LED Color 灯颜色	Pictorial Effect 图案效果	Pattern 图案	Pattern orientation 图案方向	Body Type 基座形状	Operating Force 操作力
N	Without Cap	W White 白色	T Transparent 透明	N Without LED	N 无图案 Without	N Without Transparent piece	N NONE NONE	1 行程 Travel 2.79mm	1 150gf
A	12.7mm Sq 方形		W White 白色	R Red 红灯	F 菲林片图案 Films Pattern	1 1	A 0°	2 行程 Travel 3.56mm	2 300gf
B	15.25mm Sq 方形		R Red 红色	Y Yellow 黄灯	L 浮雕图案 Laser carve Pattern	2 DDR 2	B 90°	3 行程 Travel 4.75mm	
C	17.8mm Sq 方形		G Green 绿色	G Green 绿灯	U UV图案 UV Pattern	3 MIX	C 180°		
D	19.05mm Sq 方形		Y Yellow 黄色	U Blue 蓝灯		4 STR	D 270°		
E	18.4x27.9mm 方形		U Blue 蓝色	W White 白灯		5 SRC			
F	18.4x38.5mm 方形			W2 White 超高亮白灯		: 可按需求制定			
				RG Red+Green 红+绿灯					
				RU Red+Blue 红+蓝灯					
				RGB Red+Green+Blue 红绿蓝灯					