

PB25 SERIES PUSH BUTTON SWITCHES



PB25-11M-CB



PB25-21Z-CR-R220



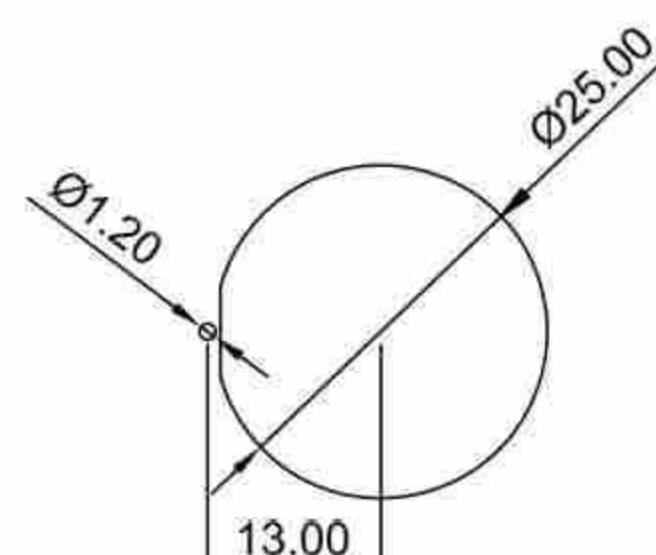
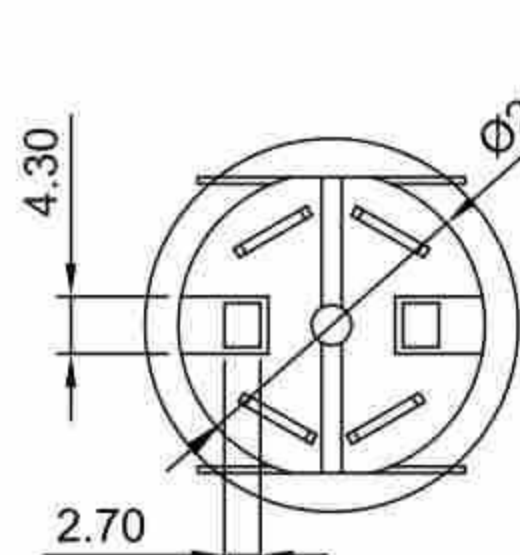
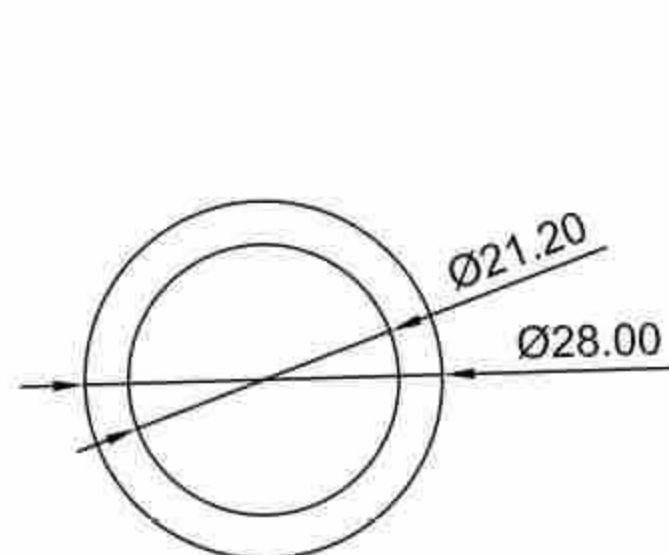
PB25-21Z-FU-U220

SPECIFICATIONS

Rating	:16(6) A 250VAC T125 1E4
	:10(4)A 250VAC T125 5E4
	:314HP 250VAC 1/2HP 125VAC
	:16A 125VAC T105
Contact Resistance	:50mΩ Max
Insulation Resistance	:100MΩ
withstand Voltage	:1000VAC for 1 Minute
Function	:OFF-(ON) ON-OFF



PB25-21Z-CG-G220



PB25-21Z-FR-R220

