

PB32 SERIES LED PUSH BUTTON SWITCHES

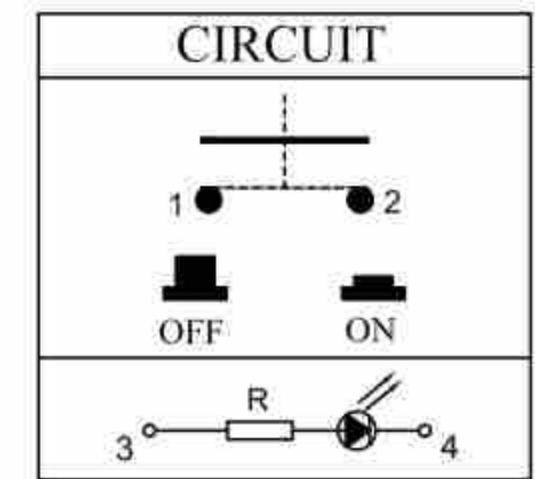
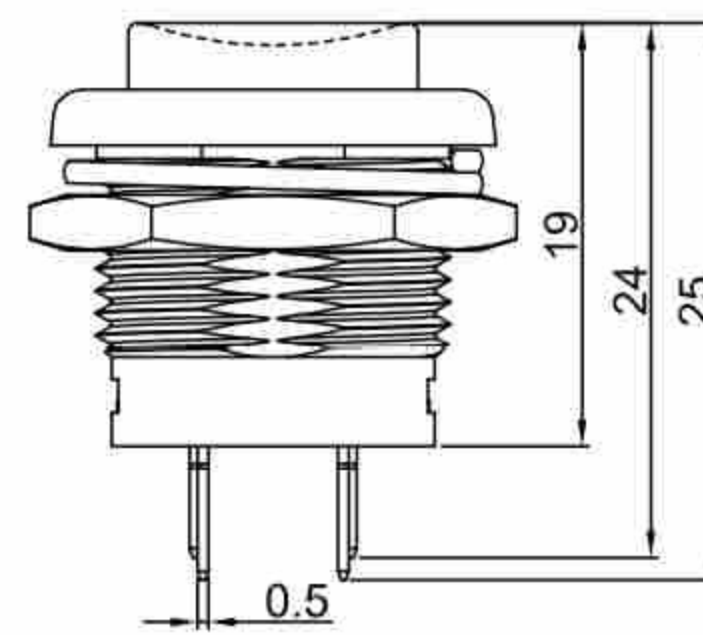
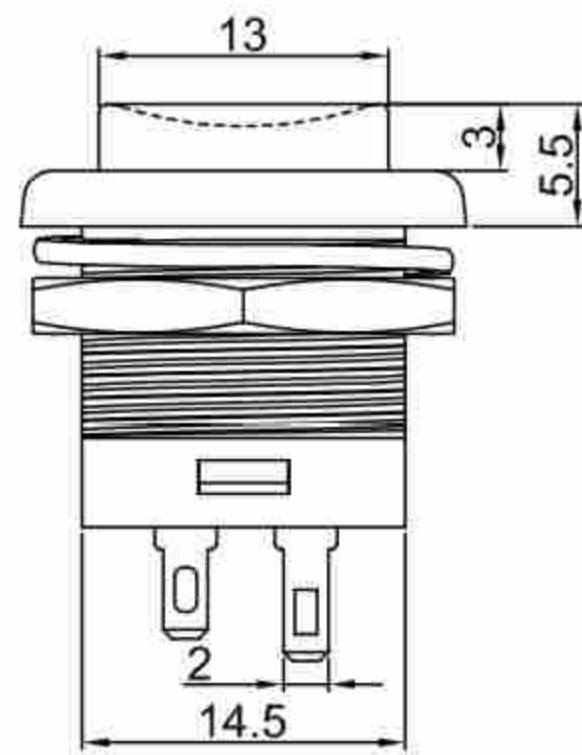
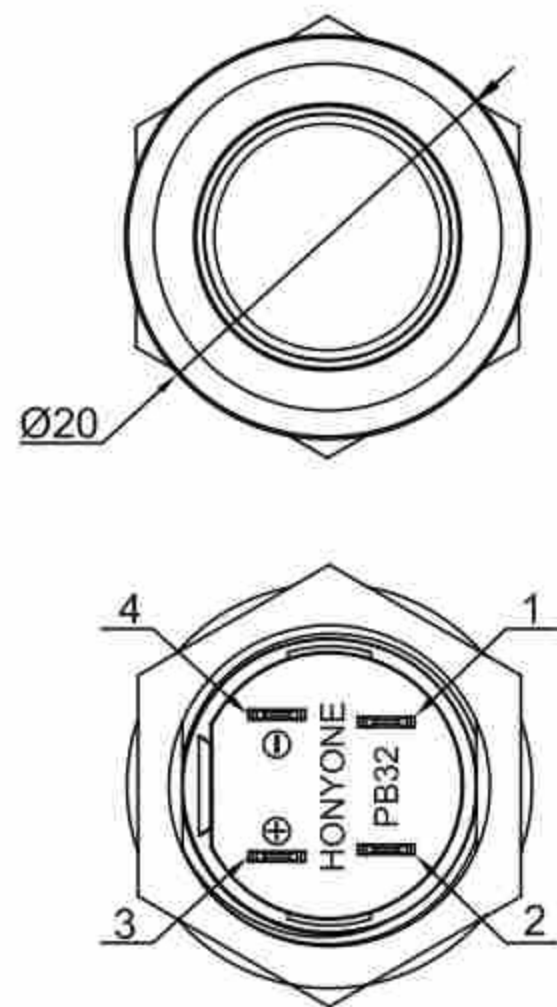


SPECIFICATIONS

Rating	:6A 125V AC 3A 250VAC
Contact Resistance	:50mΩ Max
Insulation Resistance	:100MΩ
withstand Voltage	:1000VAC for 1 Minute
Operating Force	:250±50gf
Travel	:2.4±0.4mm
Life Cycle	:50,000Cycles
Function	:OFF-(ON) ON-OFF



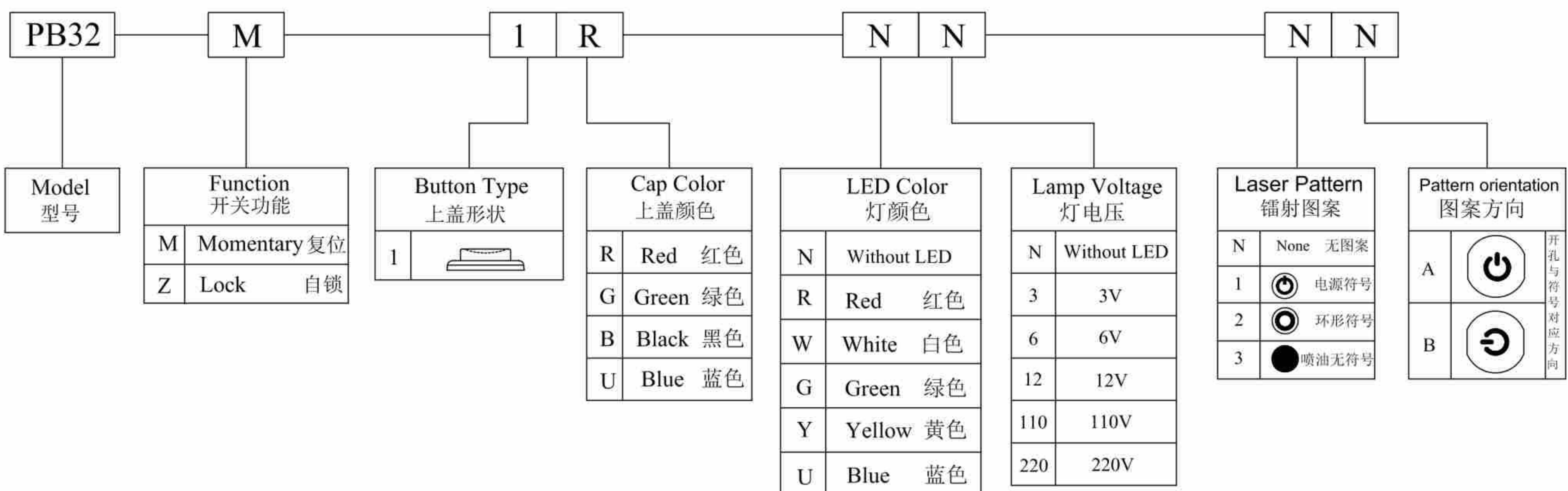
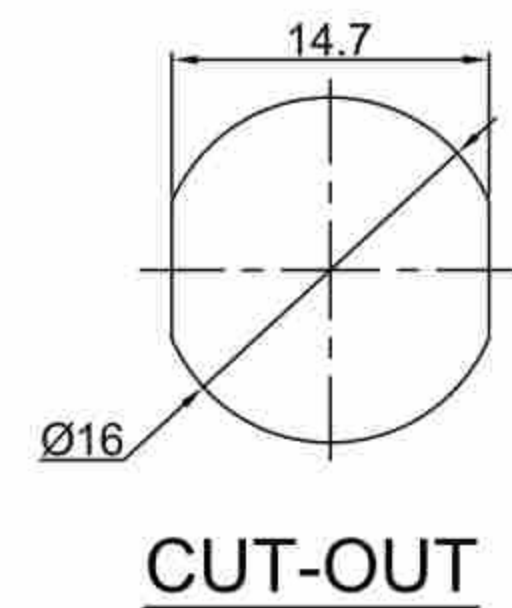
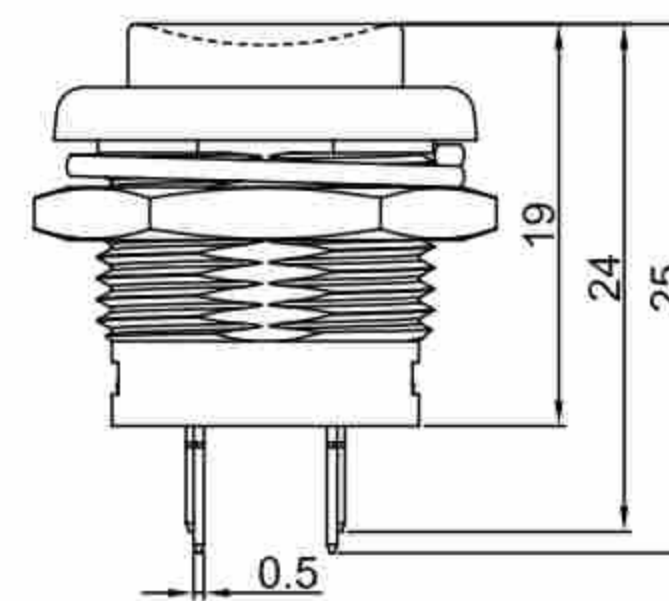
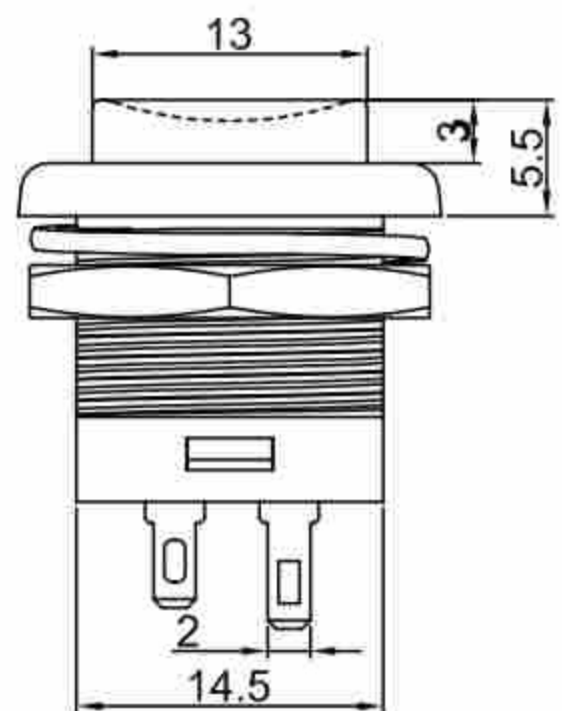
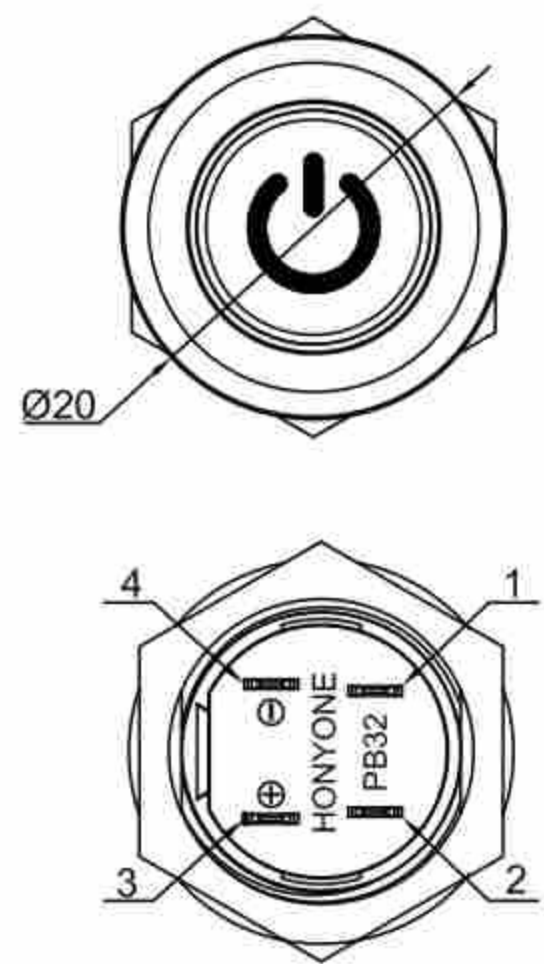
PB32-Z-1R-R2-NN



Panel Thickness: 5mm MAX.



PB32-M-1B-G3-1A



带灯轻触开关

带灯按钮开关

按钮开关

金属按钮开关

翘板开关

保险丝座

光电触摸开关

旋转开关

PB16 SERIES LED PUSH BUTTON SWITCHES

带灯轻触开关

带灯按钮开关

按钮开关

金属按钮开关



PB16-M-R-GG



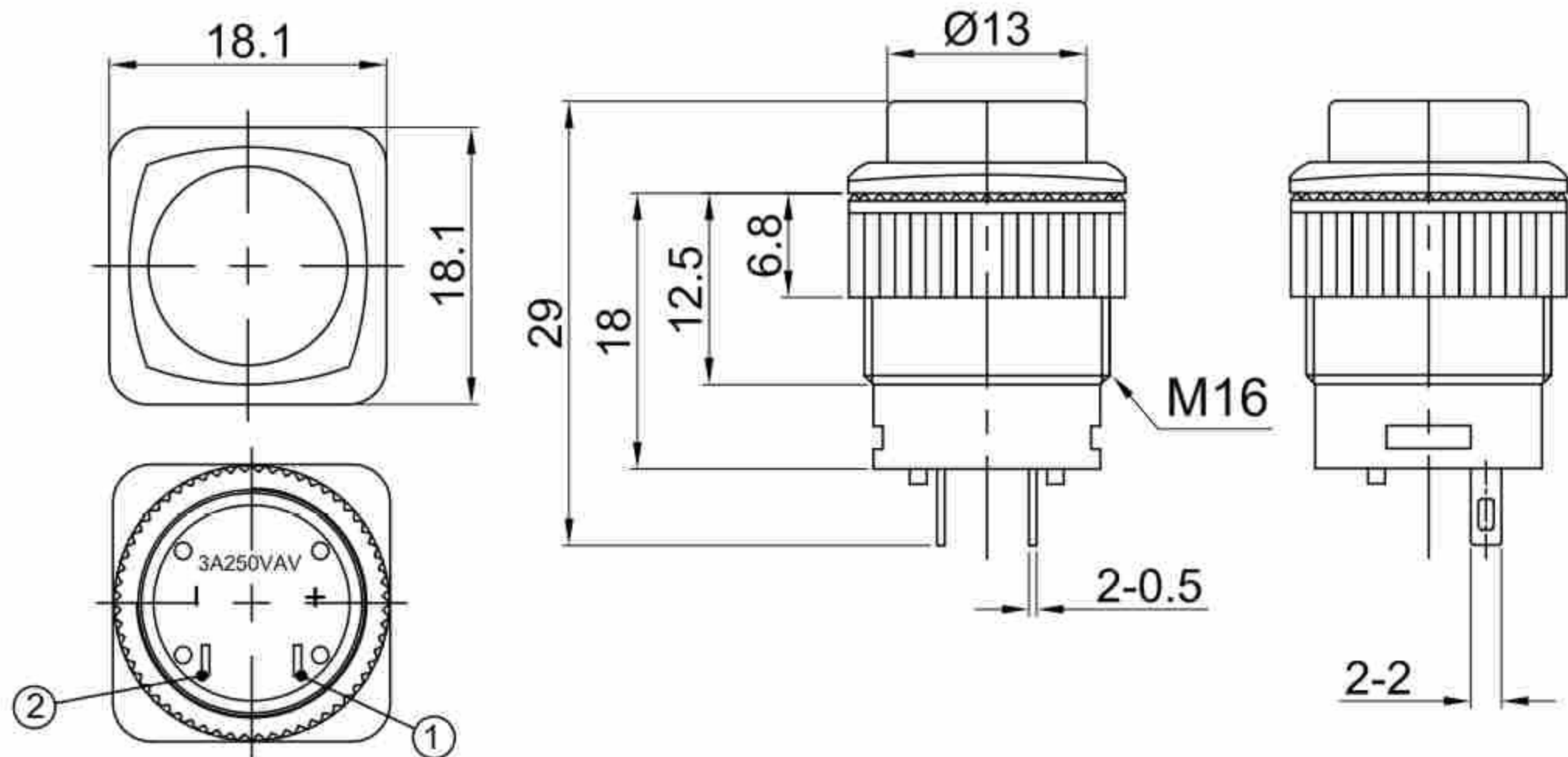
PB16-A-R-RR



PB16-M-F-RR

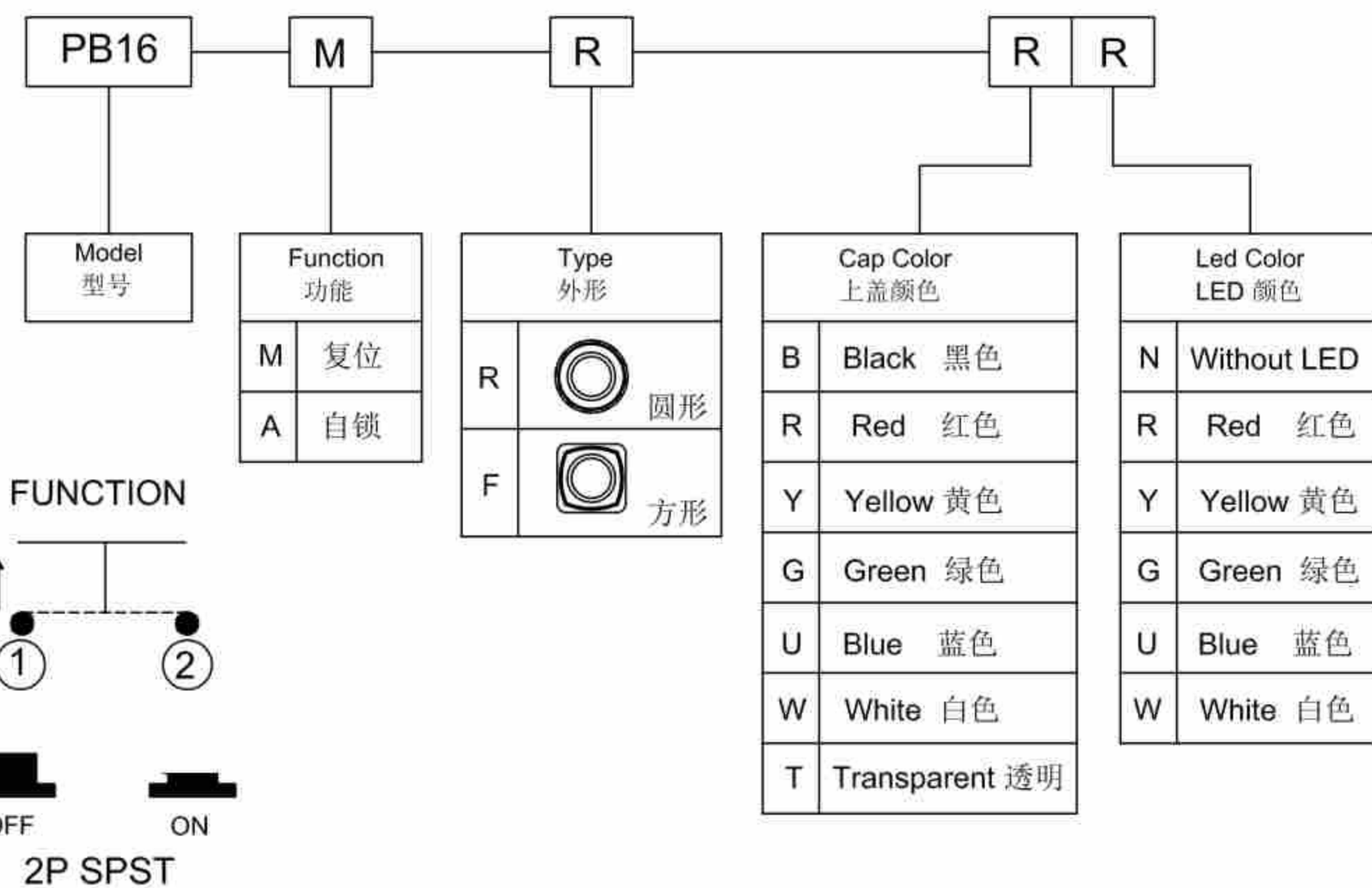


PB16-A-F-OO



SPECIFICATIONS

Circuit	: SPST
Switch voltage rating	: 1.5A 250VAC, 3A 125VAC
Dielectric withstanding voltage	: 1500VAC for 1 minute
Contact resistance	: 20m Ω Max. (Initial)
Insulation resistance	: 100M Ω Min.
Electrical Life	: 25,000 cycles Min
Function	: OFF-ON
Operating temperature	: -25°C ~ +85°C



PBS SERIES LED PUSH BUTTON SWITCHES

翘板开关

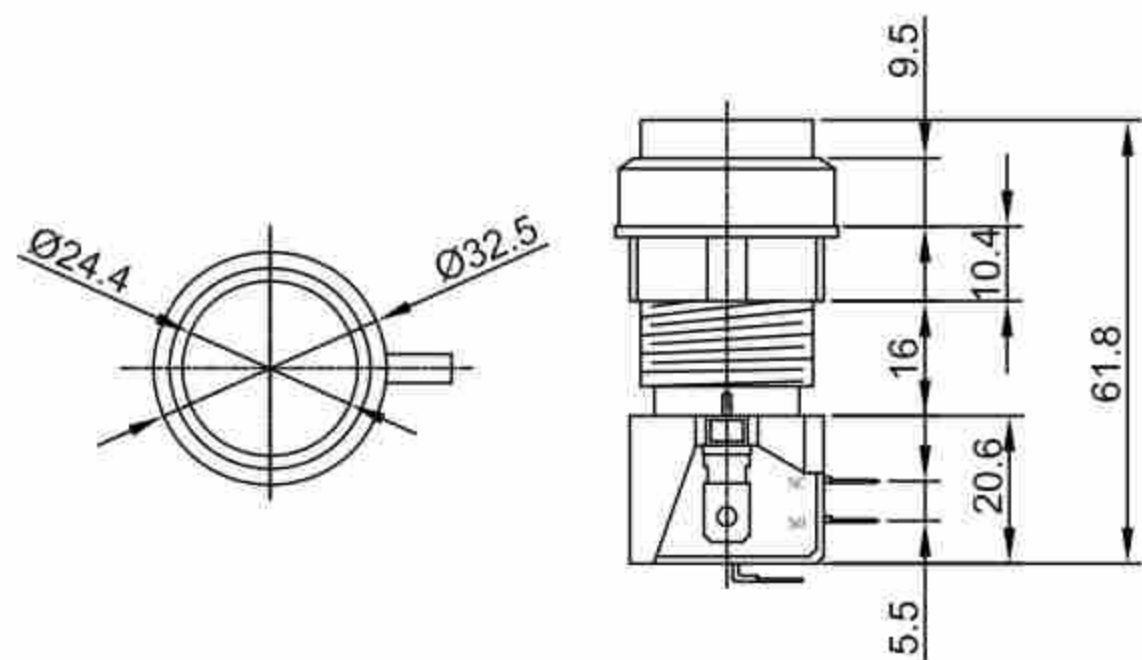
保险丝座

光电触摸开关

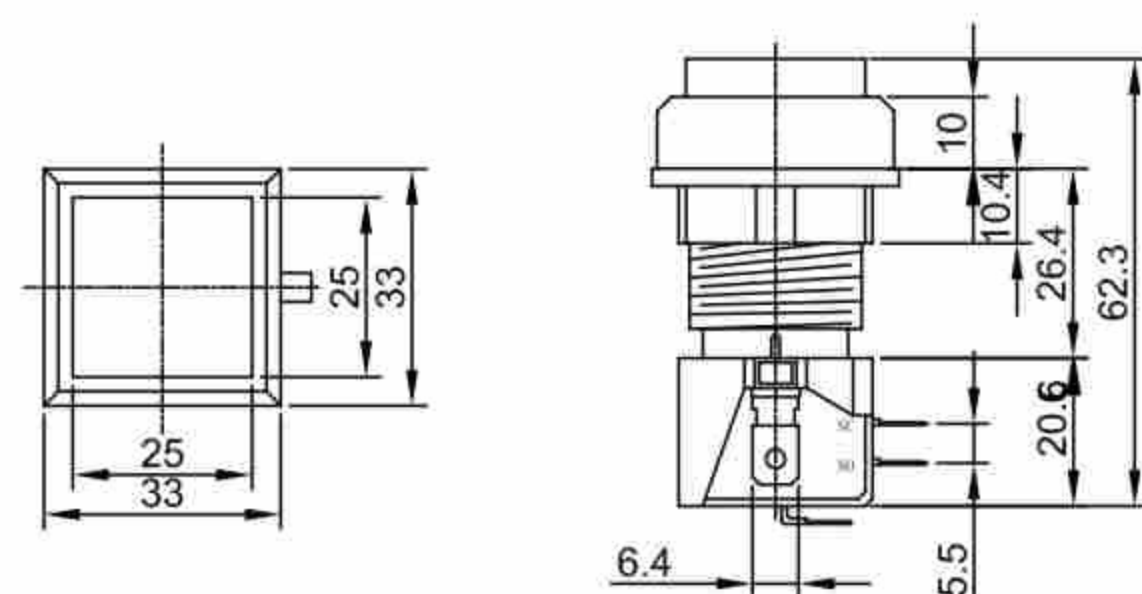
旋转开关



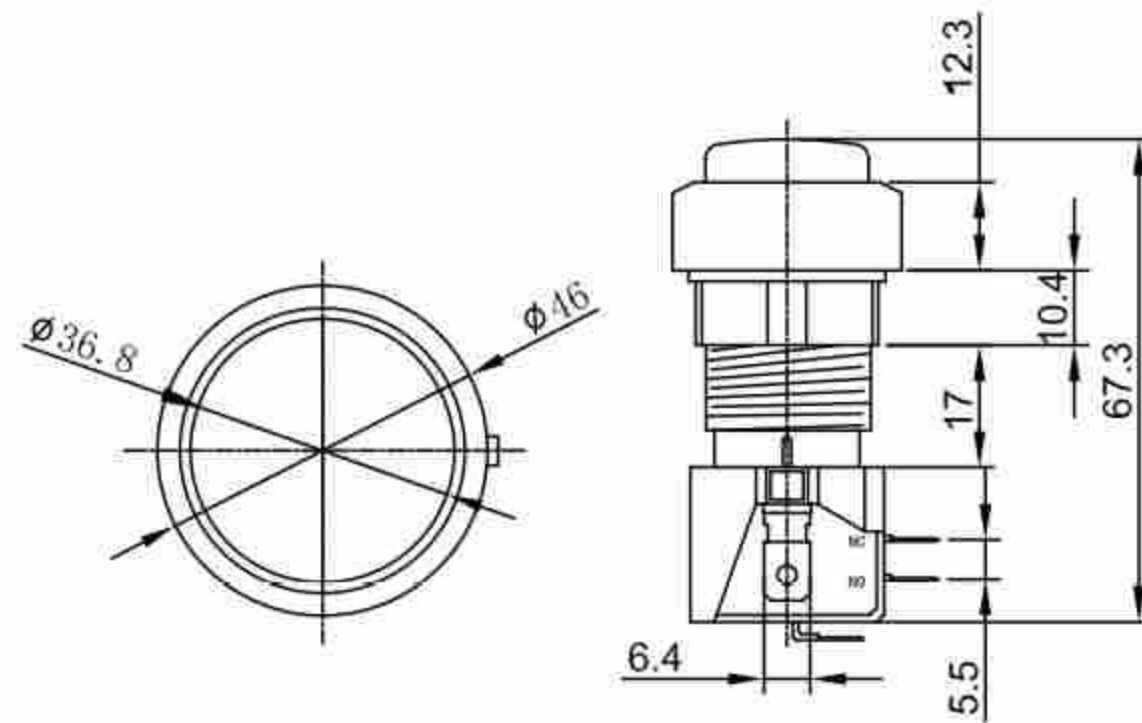
PBS 小圆按钮



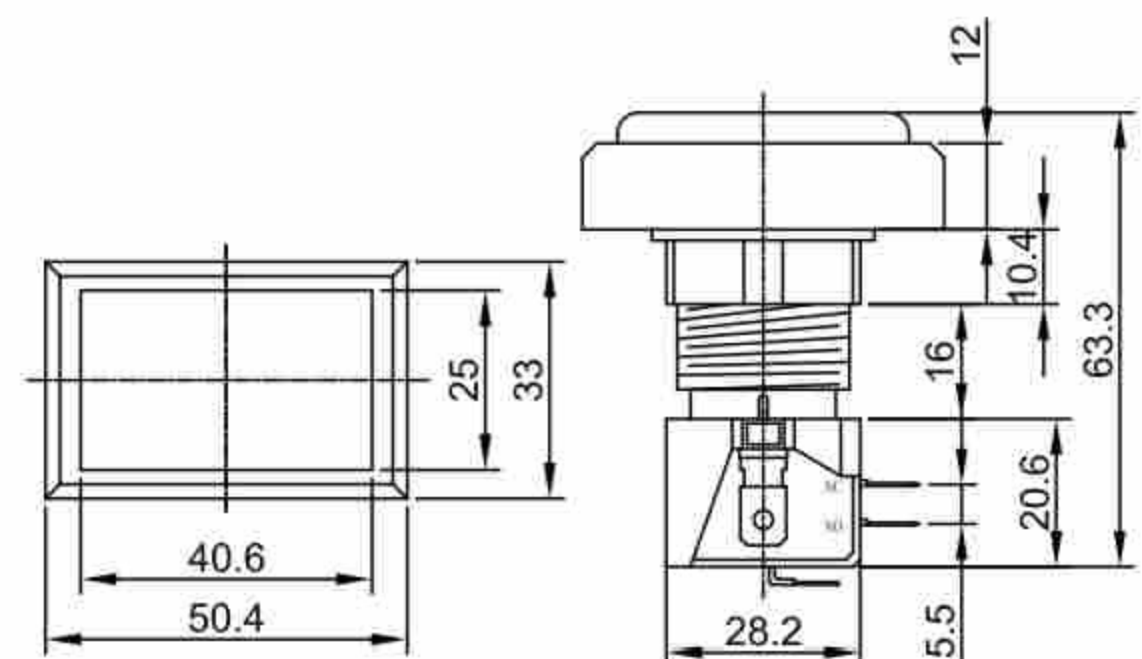
PBS 方按钮



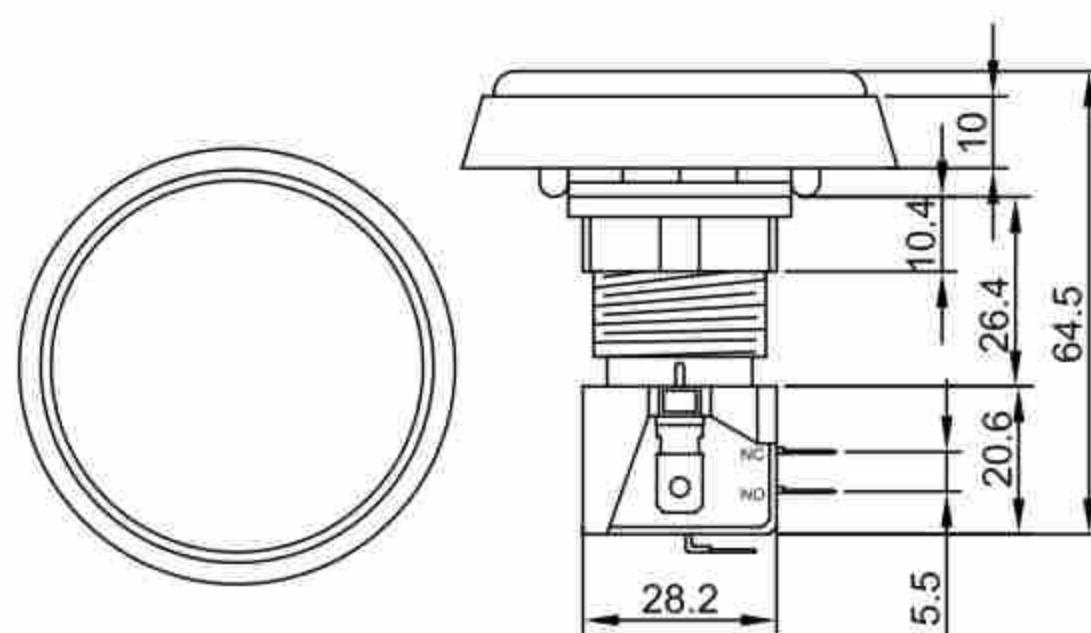
PBS 中圆按钮



PBS 长方按钮



PBS 大圆按钮



PBS 三拼按钮

