

带灯轻触开关

带灯按钮开关



按钮开关

金属按钮开关

翘板开关

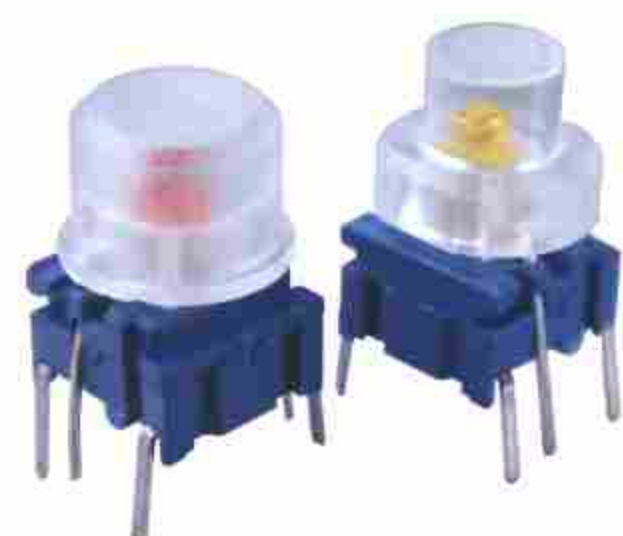
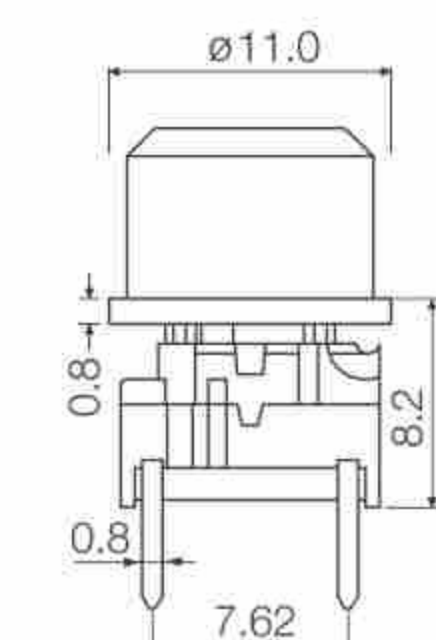
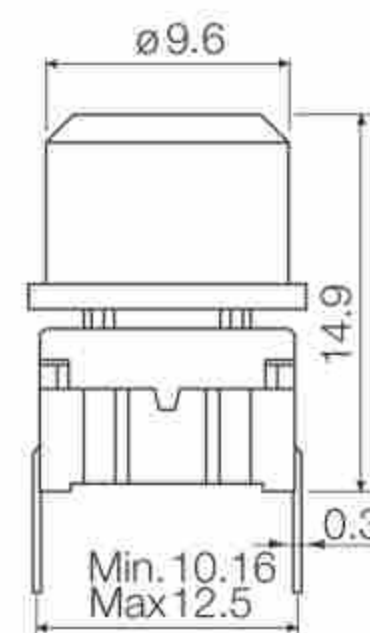
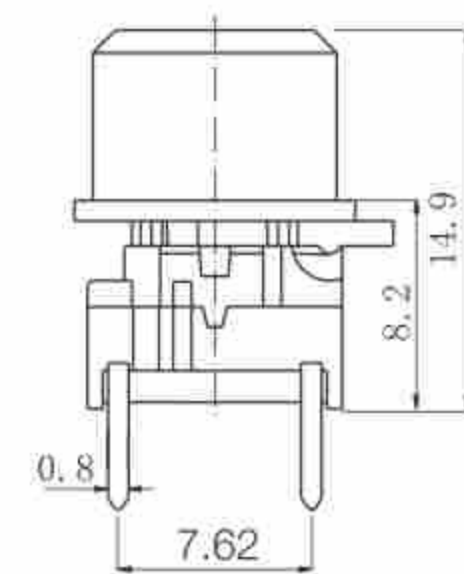
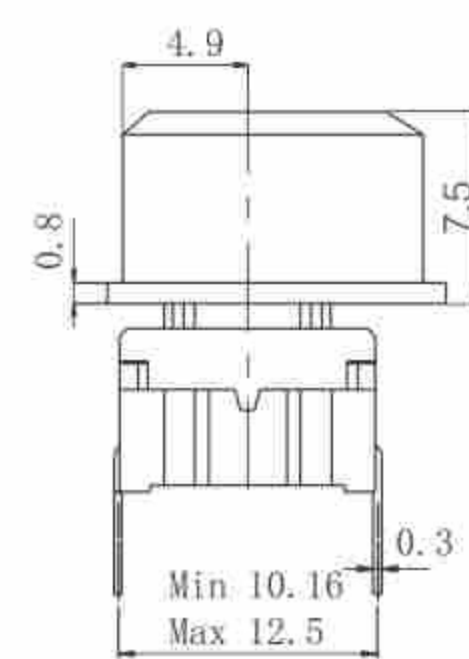
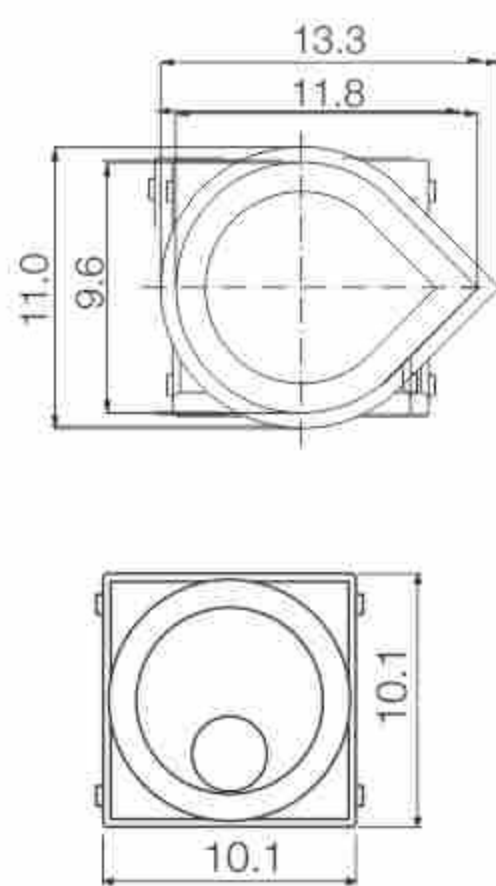
保险丝座

光电触摸开关

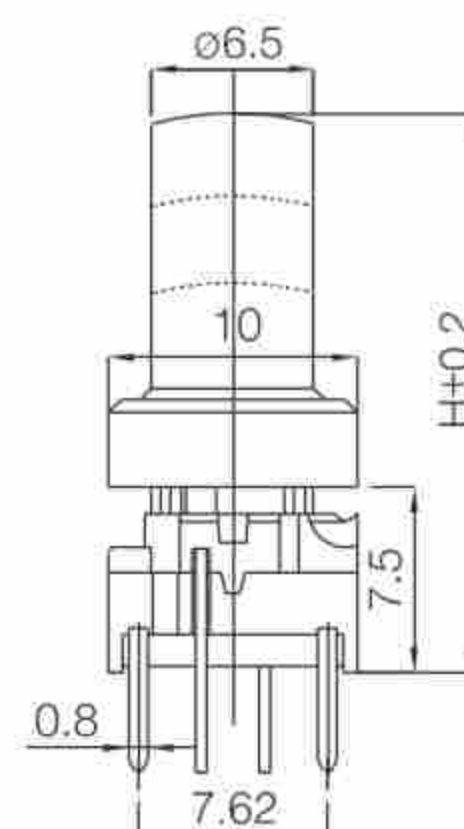
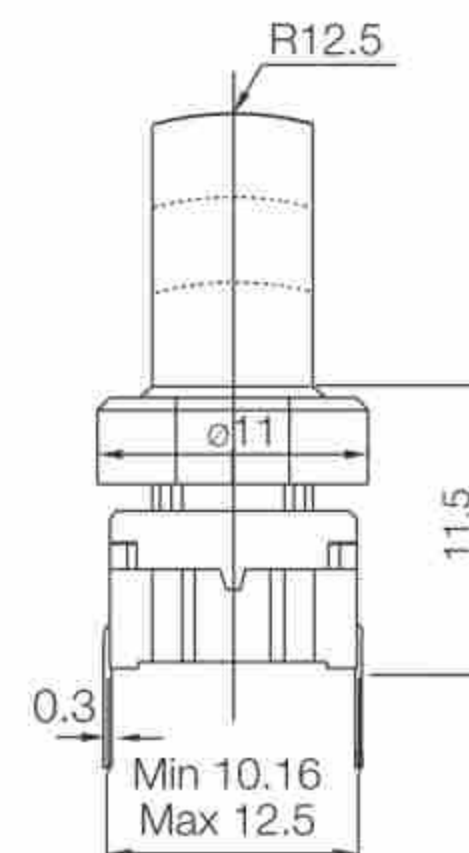
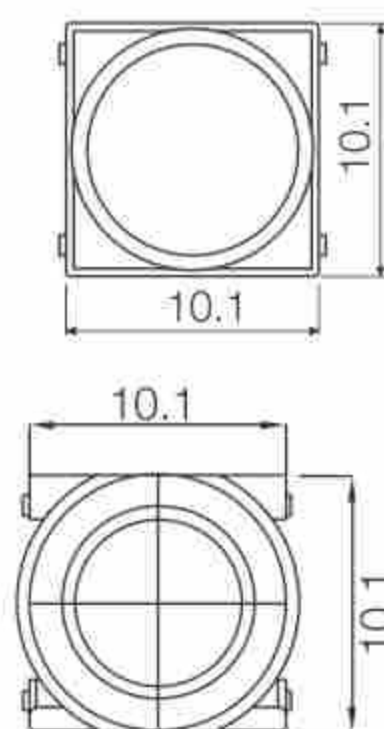
旋转开关



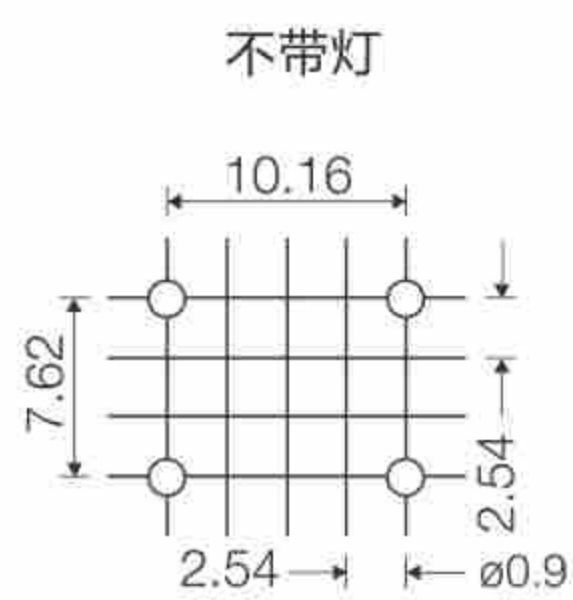
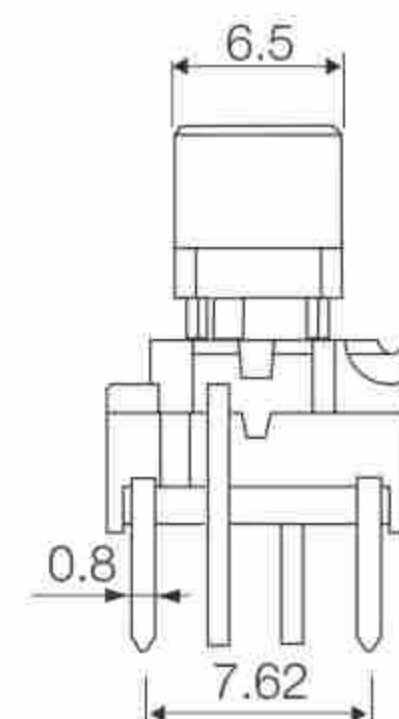
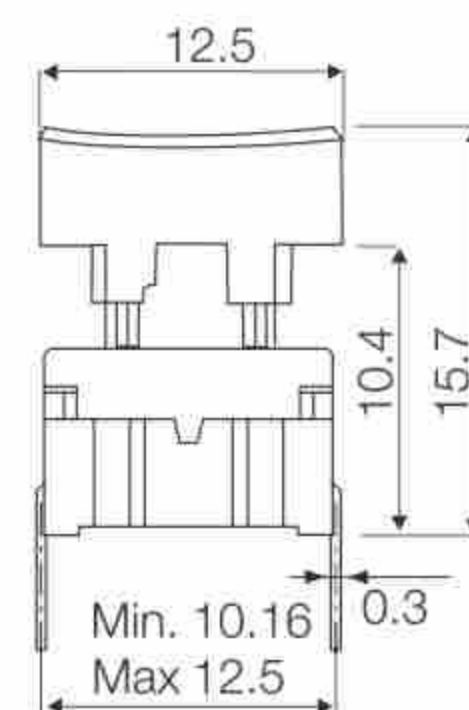
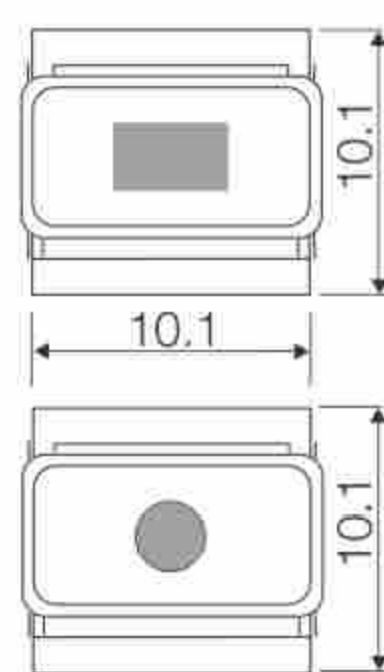
PB87-5U-NS



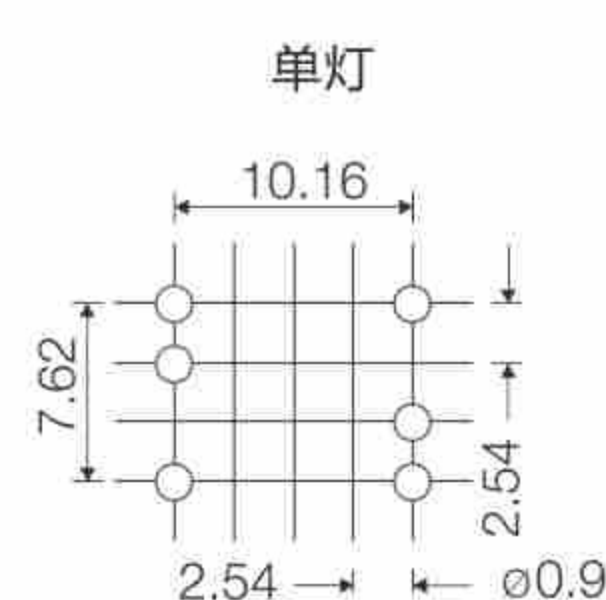
PB87-6T-RS



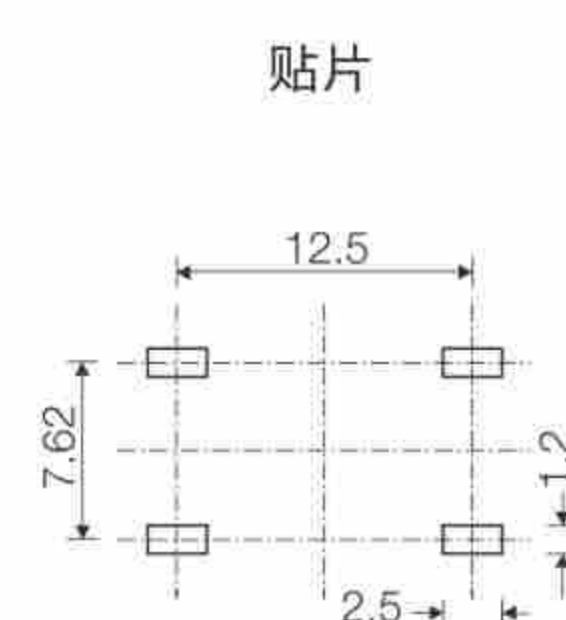
PB87-8A-RP



P.C.B Layout

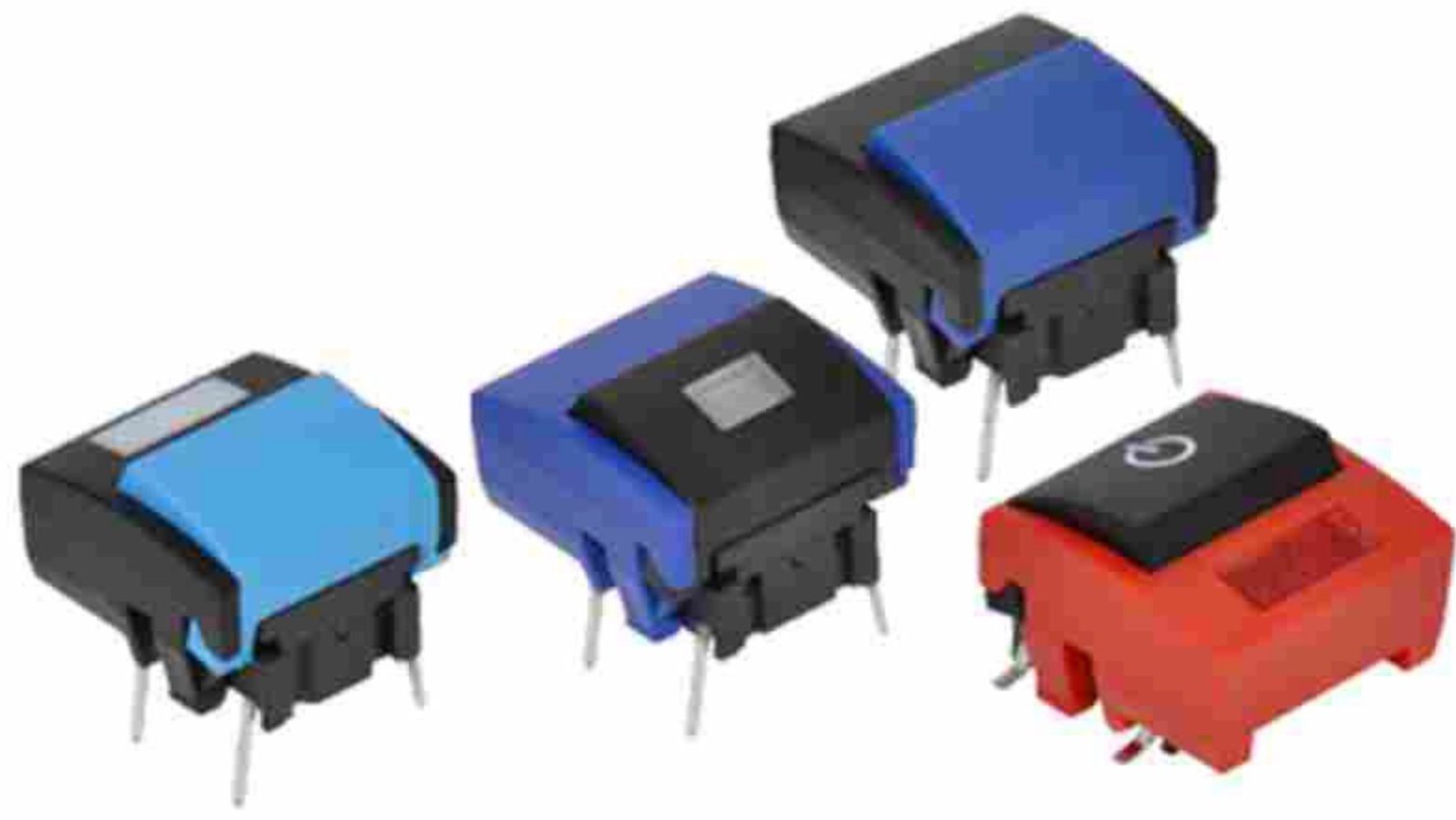


P.C.B Layout



P.C.B Layout



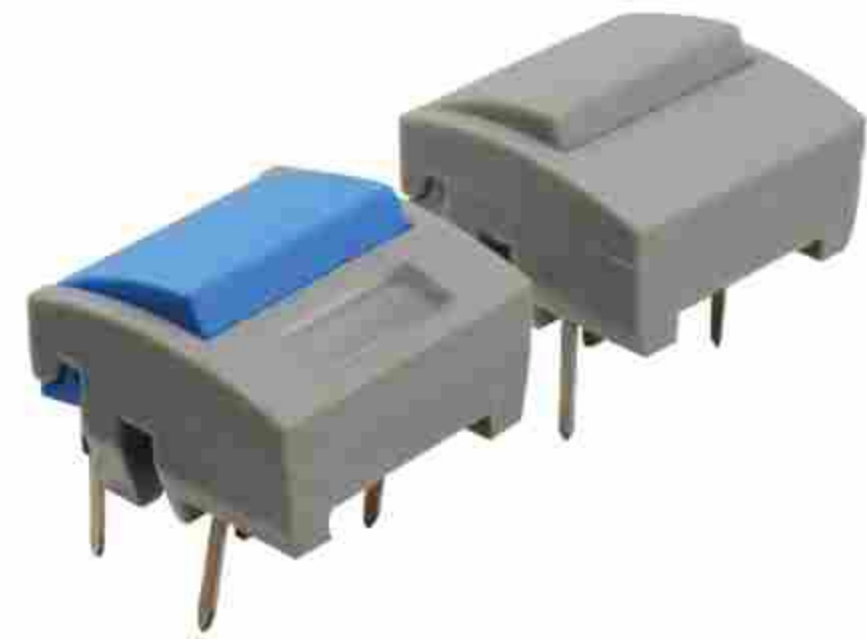
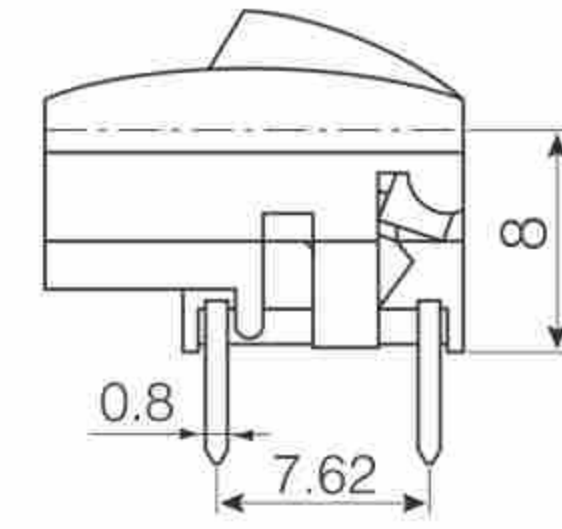
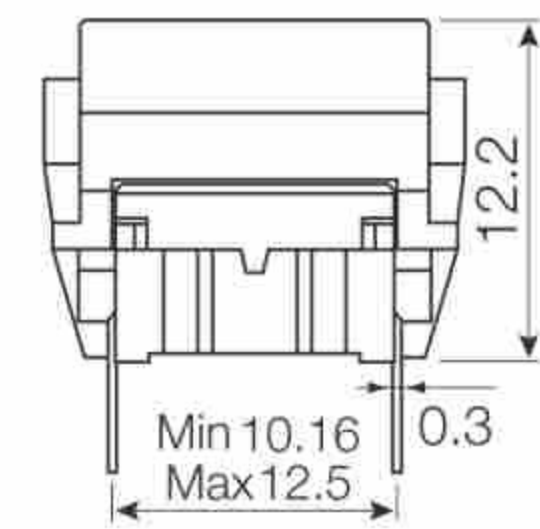
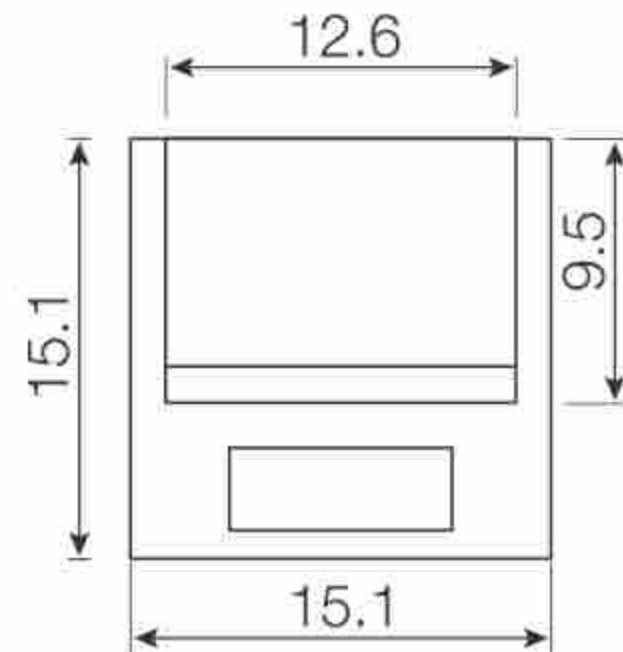
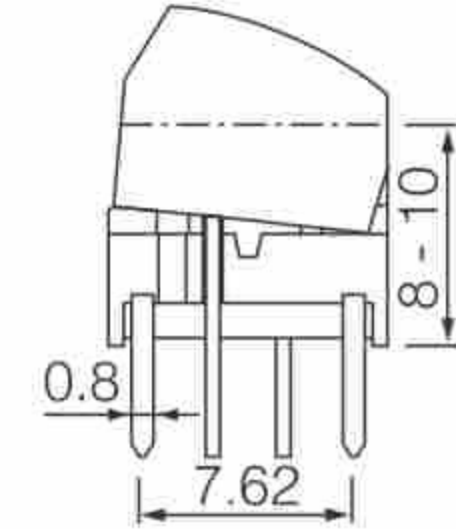
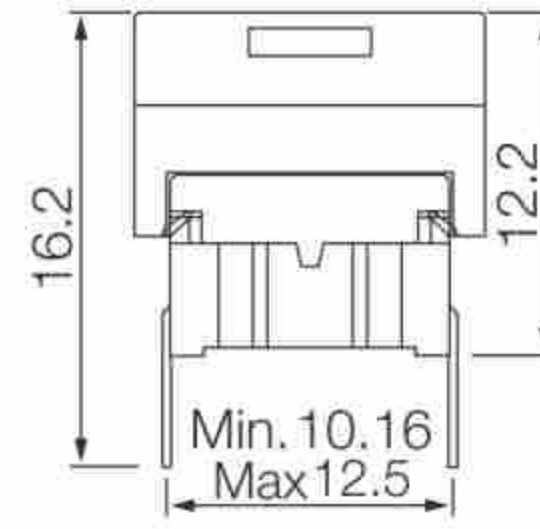
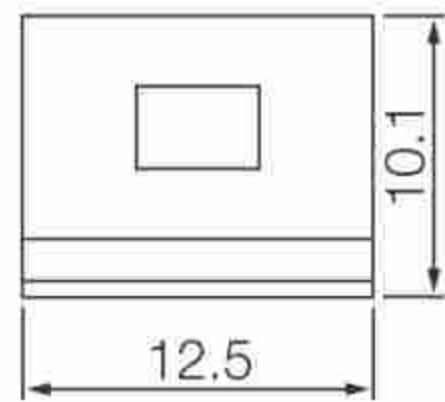


## SPECIFICATIONS

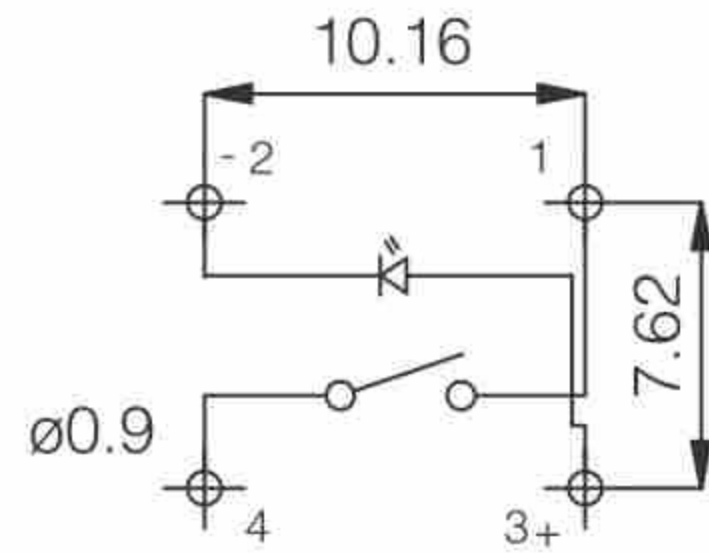
Through-hole or SMD  
 50mA/24VDC  
 Single pole/momentary  
 10.000.000 operations life time  
 IP67 sealing  
 Temperature range:  
 low temp: -40/+115°C  
 high temp: -40/+160°C  
 LED: -30/+85°C



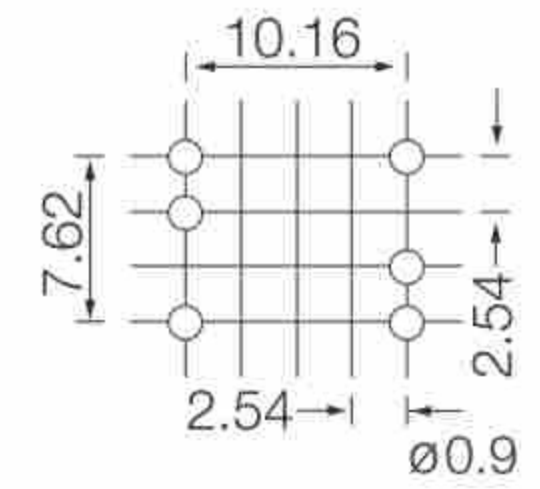
PB87-1A-NS PB87-2B-RS



PB87-4U-RS PB87-3A-NS



CIRCUIT



P.C.B Layout

