

PS16 SERIES PUSH BUTTON SWITCHES

带灯轻触开关

带灯按钮开关



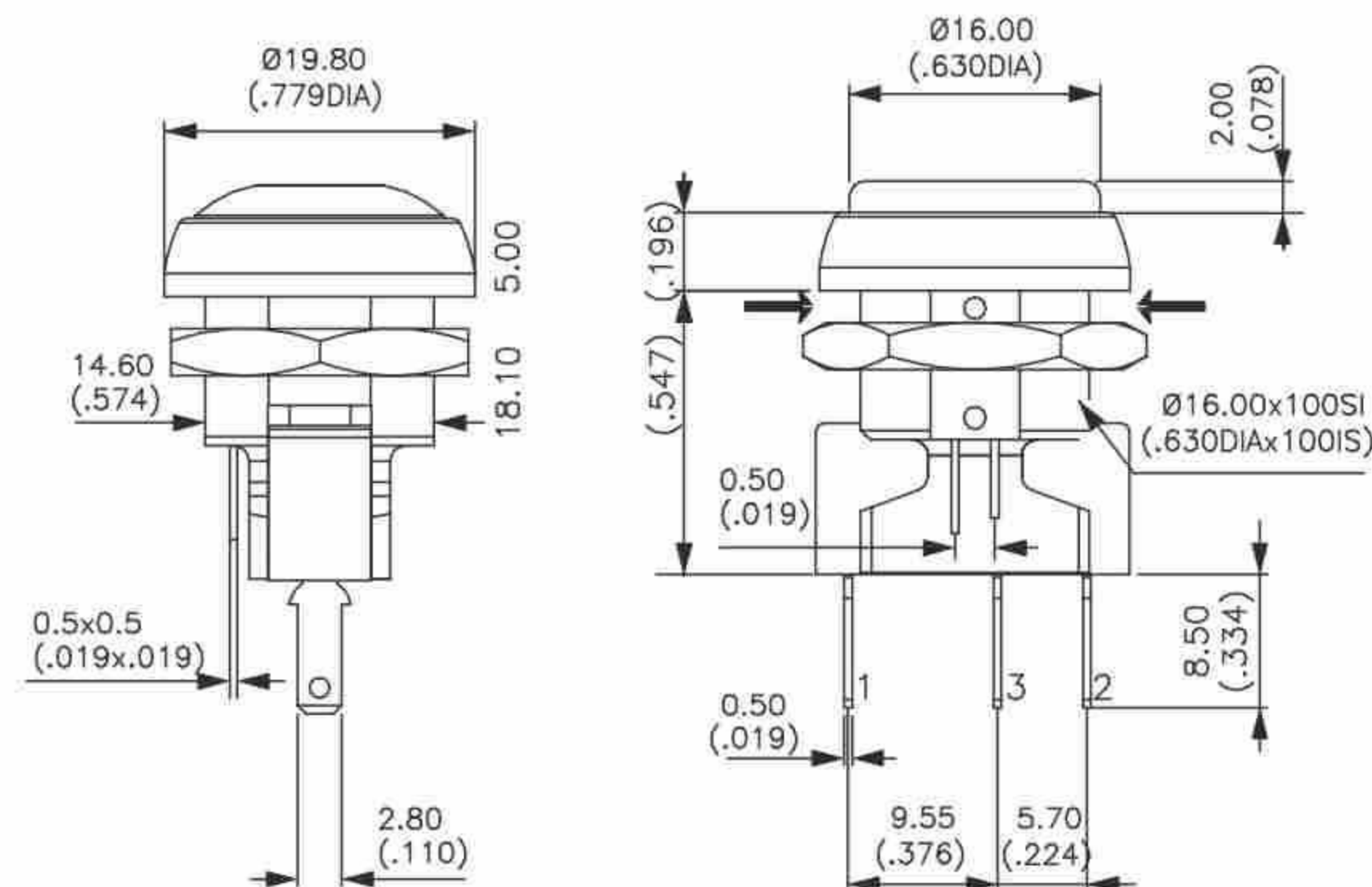
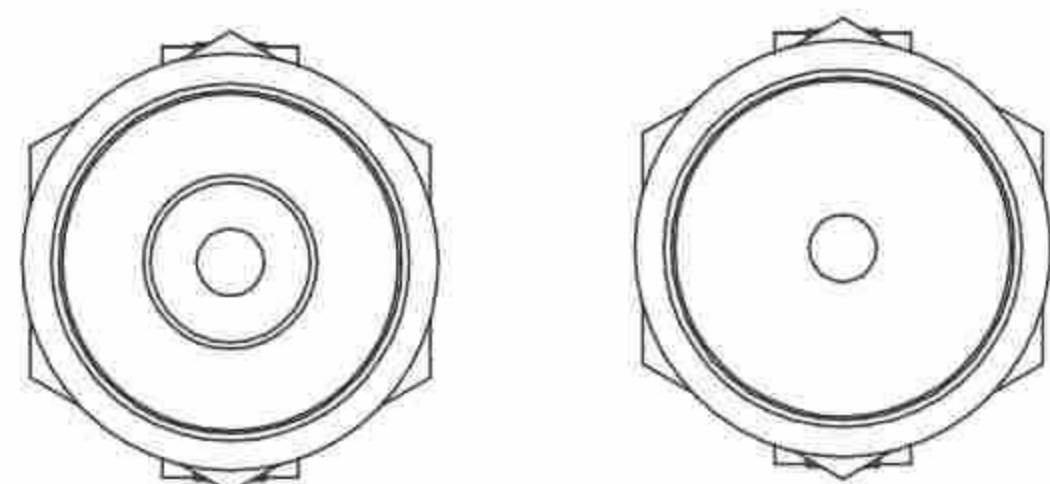
SPECIFICATIONS

| | |
|-----------------------|-----------------------|
| Rating | :6A 125V AC 3A 250VAC |
| Contact Resistance | :50mΩ Max |
| Insulation Resistance | :100MΩ |
| withstand Voltage | :1000VAC for 1 Minute |
| Operating Force | :250±50gf |
| Travel | :2.4±0.4mm |
| Life Cycle | :50,000Cycles |
| Function | :OFF-(ON) ON - OFF |

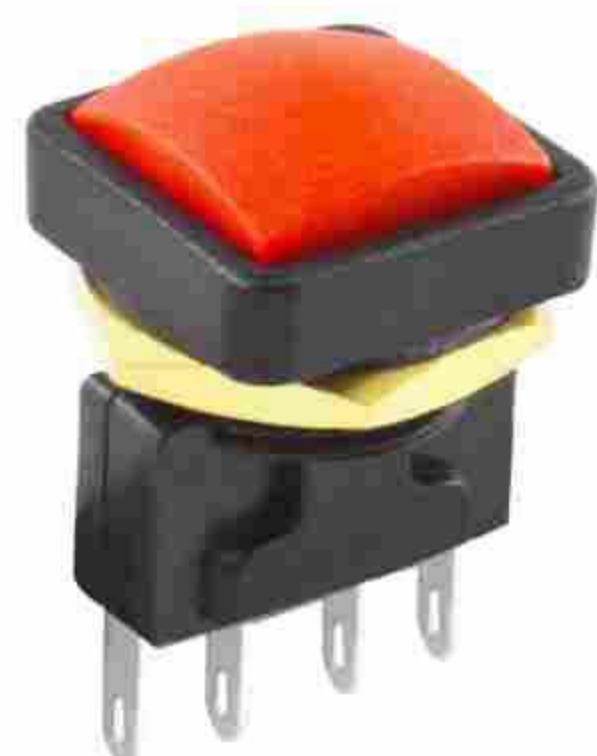
按钮开关



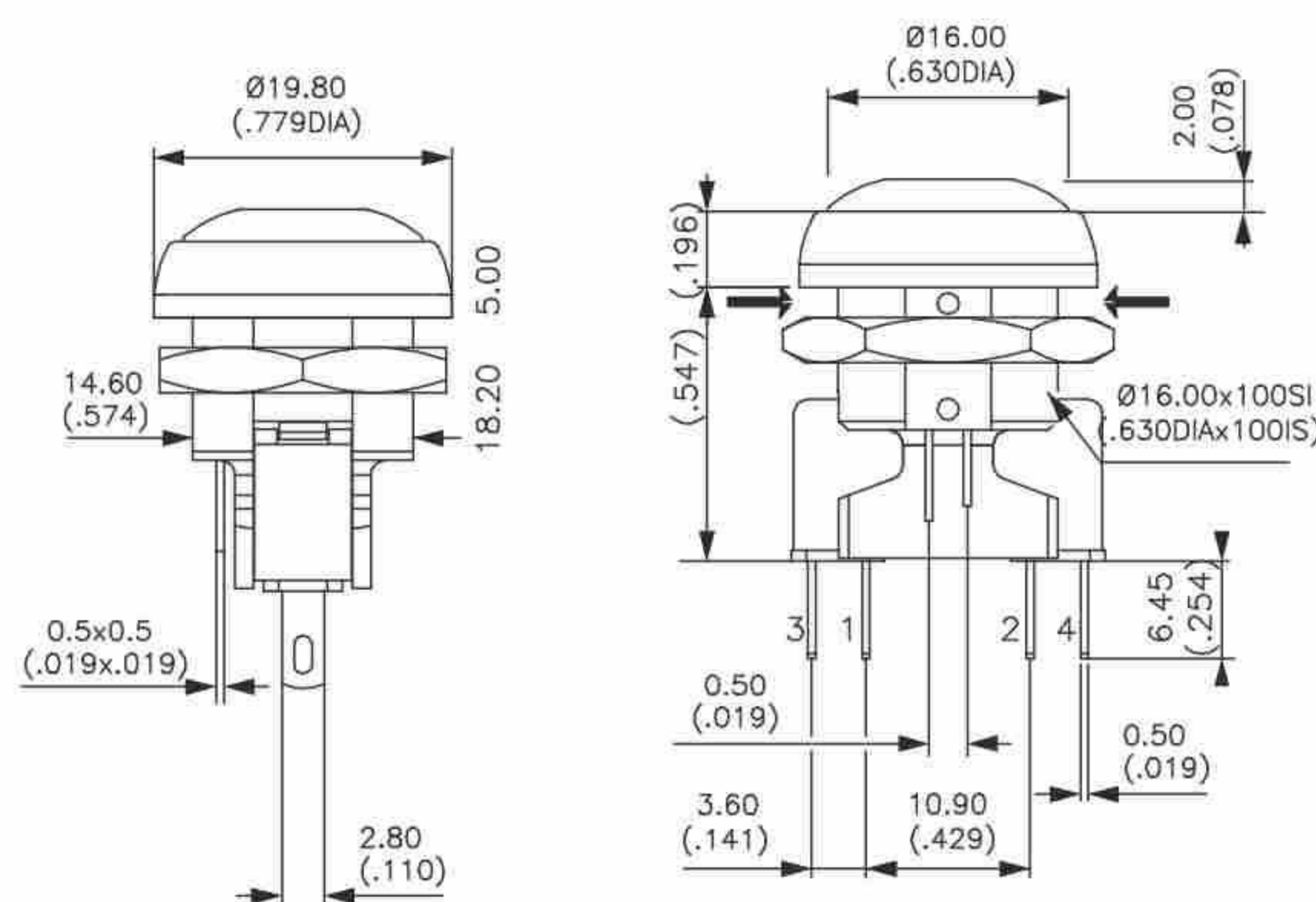
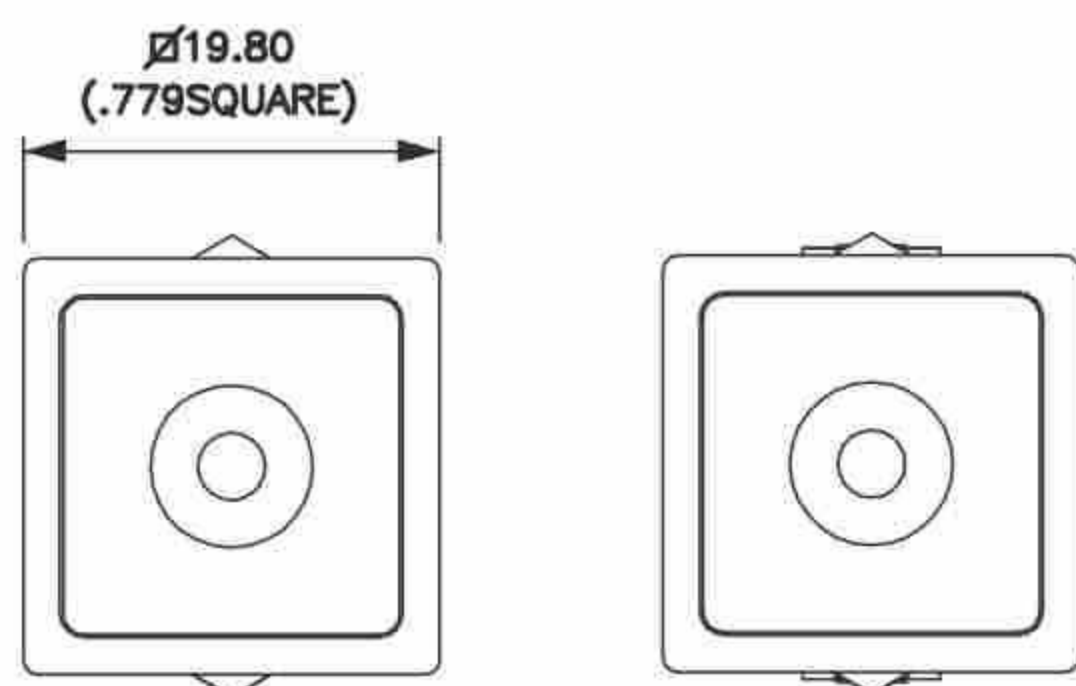
PS16-RB-FGN-1



金属按钮开关

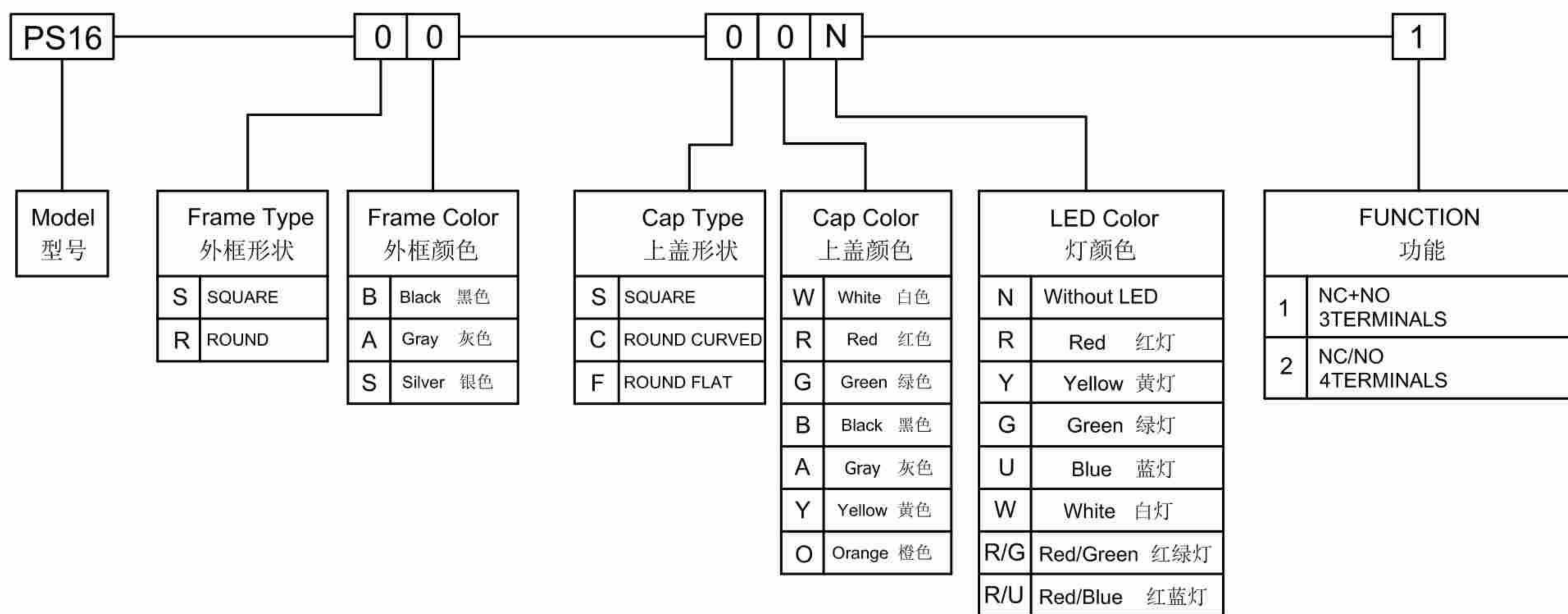


PS16-SB-CRN-2



翘板开关

保险丝座



光电触摸开关

旋转开关