

WR-1 PUSH BUTTON SWITCHES



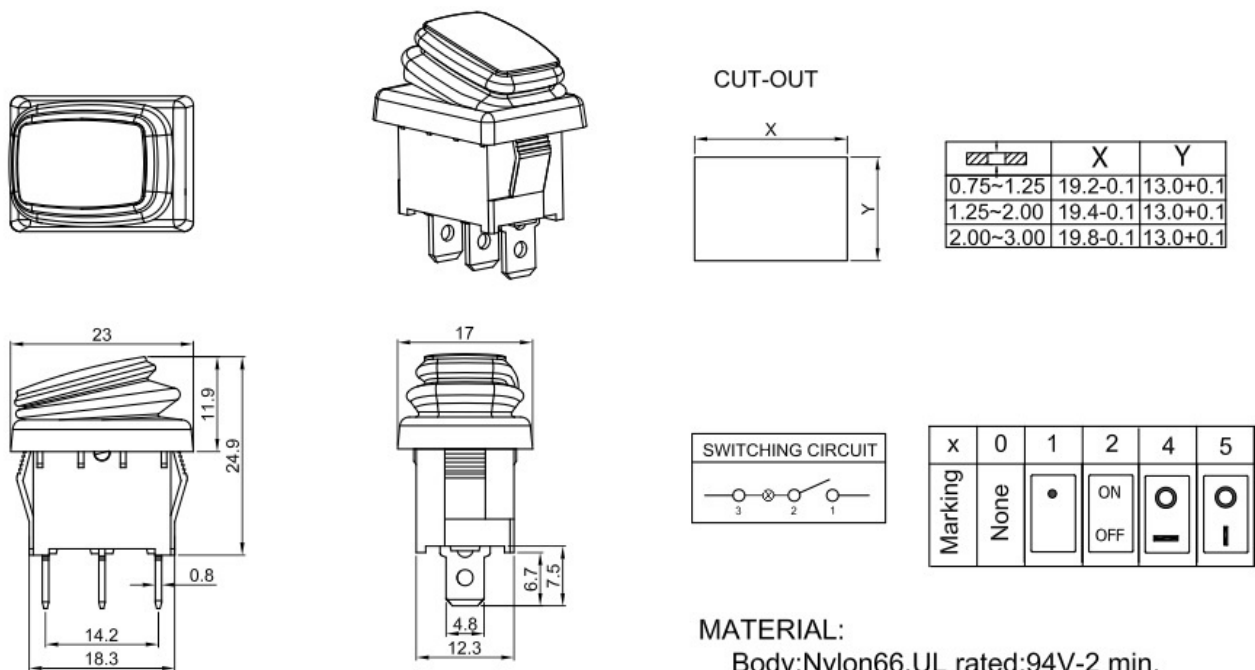
PRODUCT SPECIFICATION:

Rating: 12A 125V AC
 10A 250V AC
 Degree of protection: IP65;
 Contact Resistance: 50mΩ Max. ;
 Insulation Resistance: DC 500V 100MΩ Min. ;
 Dielectric Strength: AC 1500V 1 minute
 Operating Force: 600±150gf
 Mechanical Life: 50,000 cycles
 Load Life: 10,000 cycles
 Operating Temperature: 0°C~85°C

Application:

Computer Peripherals 电脑外设
 Telecommunications network 电信网络
 TV Set-top box 电视机顶盒
 Lamp Lighting 灯具照明
 Consumer Electronics 消费类电子
 Household appliances 家用电器
 Car Rail Transportation 汽车轨道交通
 Electronic toys 电子玩具
 Power Tools Series 电动工具类
 Industrial automation 工业自动化

DRAWING



MATERIAL:

Body: Nylon66, UL rated: 94V-2 min.
 Actuator: PC.
 Terminal: Brass, silver or tin plated.

WR1 HOW TO ORDER

WR1 开关型号编码规则

