

# WR-5 PUSH BUTTON SWITCHES



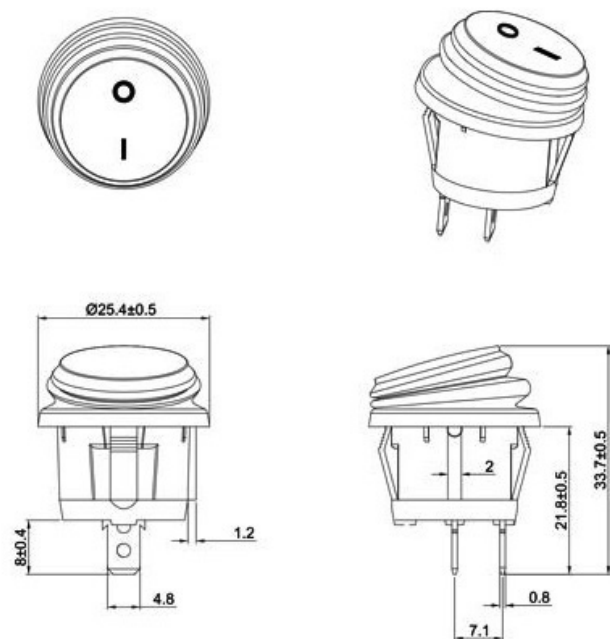
## PRODUCT SPECIFICATION:

Rating: 12A 125V AC;  
 10A 250V AC(ENEC CQC) ;  
 Contact Resistance: 20mΩ Max. ;  
 Insulation Resistance:DC 500V 100MΩ Min. ;  
 Dielectric Strength:AC 1500V 1 minute  
 Operating Force:450±200gf  
 Mechanical Life:50,000 cycles  
 Load Life:10,000 cycles  
 Operating Temperature: -20°C~+85°C  
 Protection type depending on mounting: IP65

## Application:

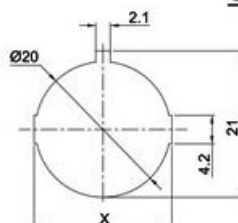
Computer Peripherals 电脑外设  
 Telecommunications network 电信网络  
 TV Set-top box 电视机顶盒  
 Lamp Lighting 灯具照明  
 Consumer Electronics 消费类电子  
 Household appliances 家用电器  
 Car Rail Transportation 汽车轨道交通

## DRAWING

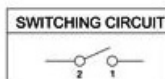


Rating: 12A 125V AC  
 10A 250V AC(ENEC CQC) ;  
 Contact Resistance: 20mΩ Max. ;  
 Insulation Resistance:DC 500V 100MΩ Min. ;  
 Dielectric Strength:AC 1500V 1 minute  
 Operating Force:450±200gf  
 Mechanical Life:50,000 cycles  
 Load Life:10,000 cycles  
 Operating Temperature: 0°C~85°C  
 Level of Protection: IP65

## CUT-OUT



	X
0.75~1.25	20.2
1.25~2.00	20.4
2.00~3.00	20.6



## WR5 HOW TO ORDER

WR5		1 1 0		C 5 N		B B		110	
Model 型号	Function 功能	Terminal type 端子种类	Actuator shape 柄形状	Marking 印字	Illuminated 带灯指示	Body color 基座颜色	Actuator color 柄颜色	Illuminated 带灯指示	
11	ON-OFF 2P	0	C	0 None	N None 不带灯	B Black 黑色	B Black 黑色	None	
12	ON-ON 3P	1	T	1	L Neon 氖灯	A Gray 灰色	R Red 红色	12	12V
13	ON-OFF-ON 3P	2	R	2	E LED	W White 白色	A Gray 灰色	110	110V
14	OFF -(ON) 2P		P	3	W Tungsten lamp 钨丝灯		W White 白色	220	220V
15	ON-(OFF) 2P		H	4			Y Yellow 黄色		
16	(ON)-ON 3P			5			U Blue 蓝色		
				6			G Green 绿色		
				7					
				B					