

WR SERIES ROCKER SWITCHES

带灯轻触开关

带灯按钮开关

按钮开关

金属按钮开关

翘板开关

保险丝座

光电触摸开关

旋转开关



WR-210-P5N-BB



WR-210-P5L-BW



WR-210-P5L-BR



WR-210-P5L-BG

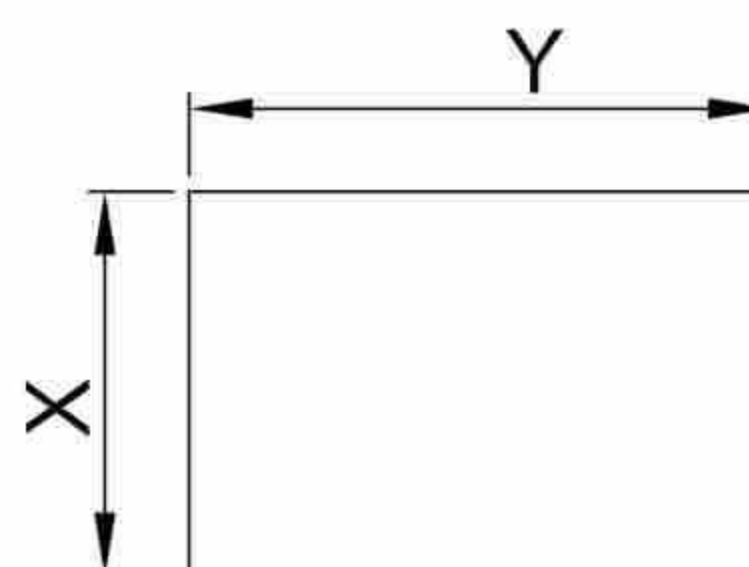


WR-210-P5L-BO

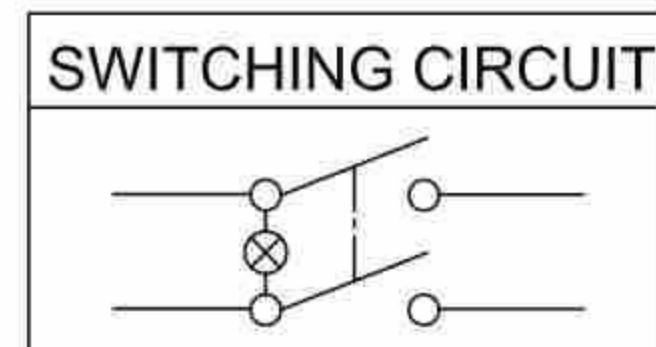
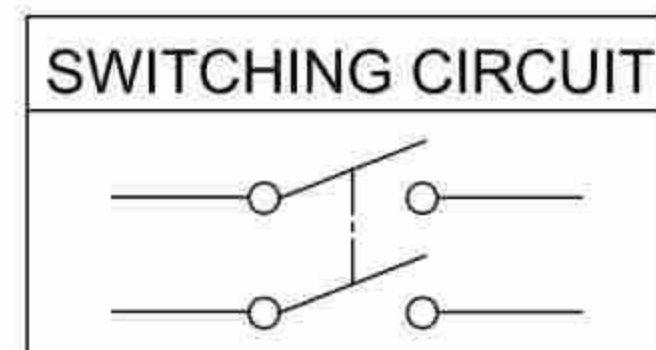
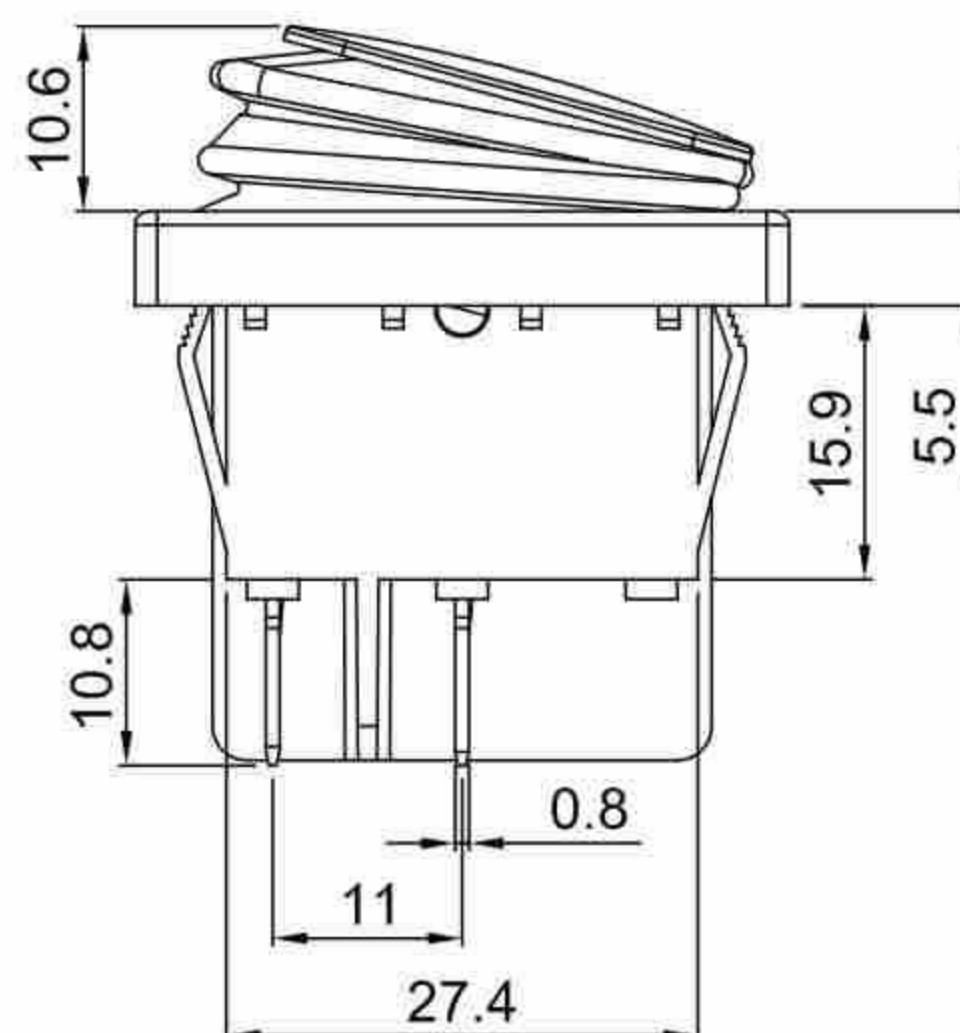
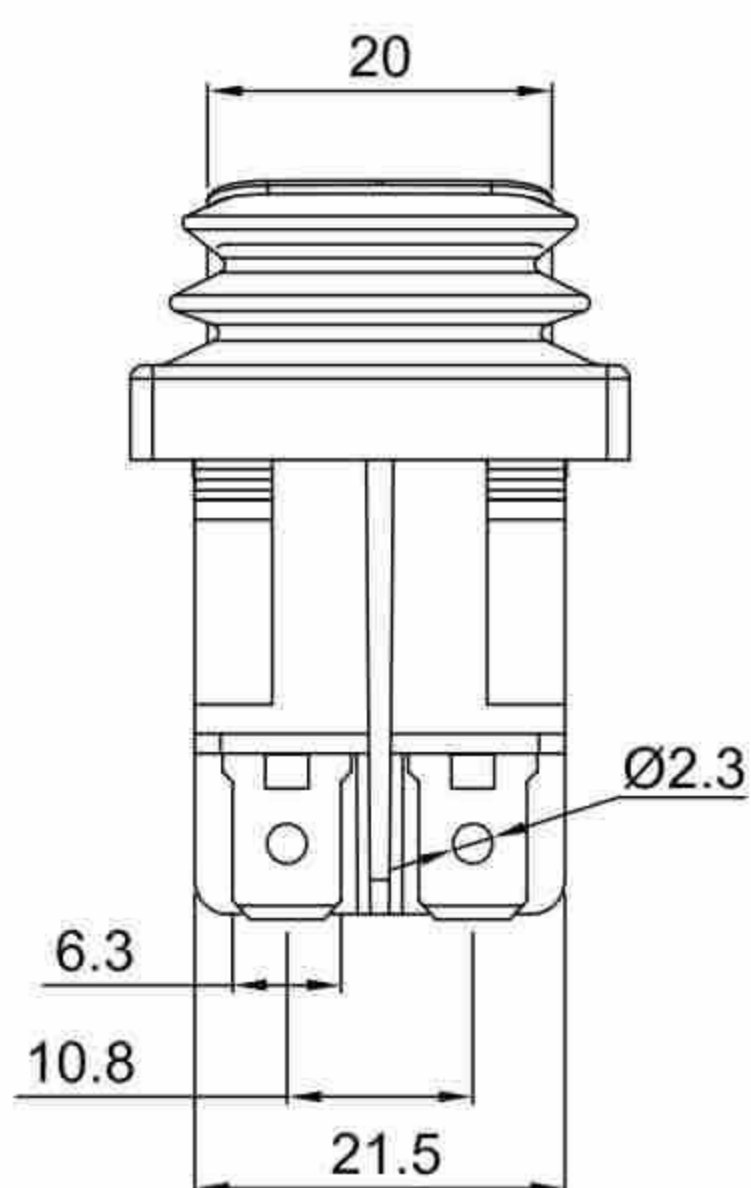
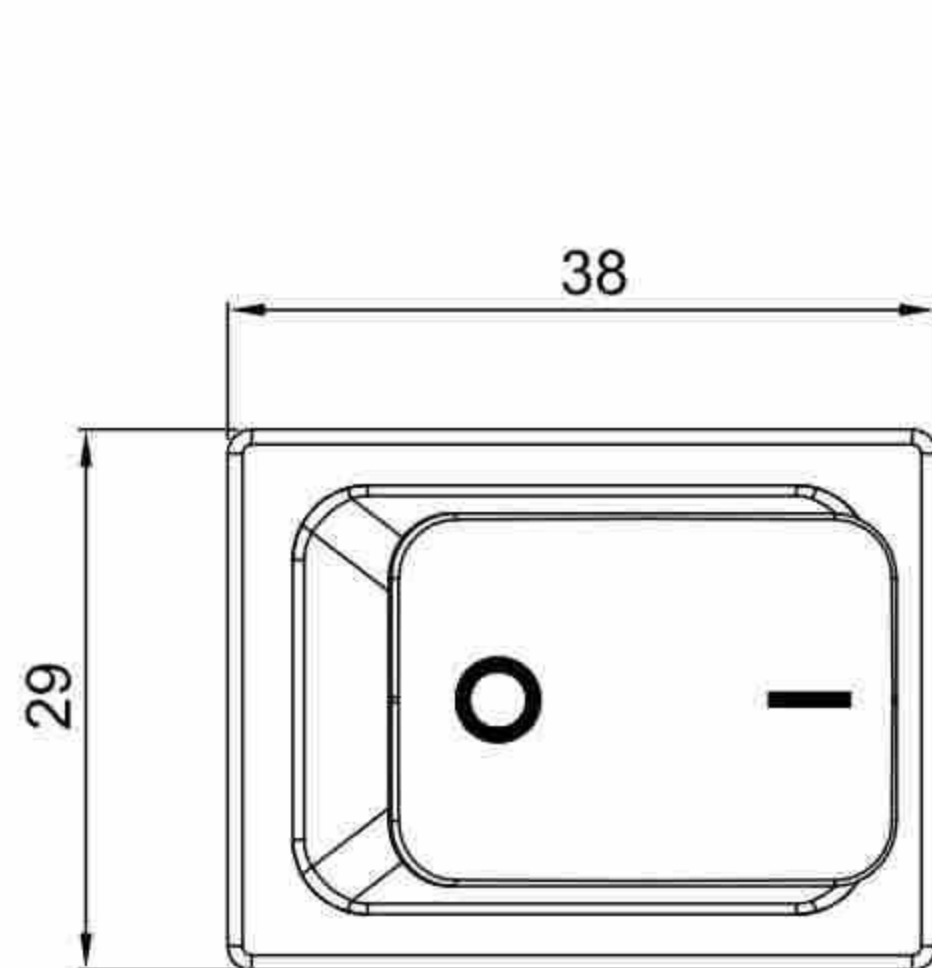
SPECIFICATIONS

Rating	:20A 125V AC (UL CUL) 22A 250V AC (ENEC CB CQC)
Contact Resistance	:50MΩMax
Insulation Resistance	:DC 500V 100MΩMin
Dielectric Strength	:AC1500V 1 minute
Operating Force	:600±150gf
Mechanical Life	:Over 30,000cycles
Electrical Life	:Over 10,000cycles
Operating Temperature	:-20°C~+85°C
Safety Approval	:C

CUT-OUT



	X	Y
0.75~1.25	22.0+0.1	30.0+0.1
1.25~2.00	22.0+0.1	30.2+0.1
2.00~3.00	22.0+0.1	30.4+0.1



Model 型号	Function 功能	Terminal type 端子种类	Actuator shape 柄形状	Marking 印字	Illuminated 带灯指示	Body color 底座颜色	Actuator color 柄颜色	Current Rating 电流	Light Voltage 灯电压
WR									
210									
P5N									
BB									
110									
21	ON-OFF 4P	0	P	0 None	N None 不带灯	B Black 黑色	B Black 黑色	- 16A	None
22	ON-ON 6P	0	P	1	L Neon 氖灯	A Gray 灰色	R Red 红色	BB 20A	12 12V
23	ON-OFF-ON 6P	3	P	2	E LED	W White 白色	G Green 绿色		110 110V
24	OFF-(ON) 4P	3	P	3			Y Yellow 黄色		220 220V
25	ON-(OFF) 4P	3	P	4			U Blue 蓝色		
26	(ON)-ON 6P	3	P	5			W White 白色		
27	(ON)-OFF-(ON) 6P	3	P	6			O Orange 桔色		
28	(ON)-OFF-ON 6P	3	P	7			T Transparence 透明		
				8					
				9					
				A					
				B					
				C					
				D					