

ONPOW26

Product Overview

ONPOW26 series products use the center seat sliding toggle design, fast and reliable installation. Modular combination structure, easy maintenance and flexible combination; head protection level up to IP65. Light-emitting module for integrated structure, more compact size.

Specs Products include buttons, knobs, key knobs, push-pull spin-release emergency stop knobs, mushroom knobs. $\Phi 22$ mounting aperture, widely used.

Performance The switch is made of high quality flame retardant material, with good insulation performance, low contact resistance and vibration resistance. Product safety lock conforms to IEC60947-5-5,6-2 standard. Product structure conforms to IEC60947-5-5,6.3.2 standard; emergency stop products conform to IEC60947-5-1, Annex K, IEC60947-5-5,5-2 standard.

Structure The switching element adopts "double-breakpoint slow-action, self-cleaning" structure, and the building block combination method. 1~8 switch elements can be combined in any way to meet the requirements of various specific control circuits. The switch adopts independent "piece" design, small volume, short length, more flexible combination; concealed The wiring terminal is more safe and reliable.

Protective Degree Protection class IP40, can customized to IP65



Switch Ratings

Rated Insulation Voltage(Ui)		500V					
Terminal Current (Ith)		10A Temperature rise does not exceed the current allowed by the maximum rating					
Rated Voltage		24V	48V	110V	220V	380V	500V
Rated Current	AC 50/60Hz	Resistive load	10A	—	10A	6A	—
		Inductive load	10A	—	6A	3A	1.8A
	DC	Resistive load	8A	4A	2.2A	1.1A	—
		Inductive load	4A	2A	1.1A	0.6A	—
Contact material		Silver alloy					

Minimum adaptable load: 3VAC/DC 5mA (available range depends on the use environment and load type)

Installation Dimensions and circuit diagram

Installation Dimensions

Circuit Diagram

The switch code is 11.
1,2 are normal closed;
3,4 are normal opened;

Type	A	B	C	Remark
Normal, Key-lock	50	40		1. Unit: mm 2. A and B both refer to the minimum size
Selector	50	40	$\Phi 22$	
Mushroom	50	50	$\Phi 25$	
Big Mushroom	70	70	$\Phi 30$	

Performance Characteristics

Operating temperature	-25 ~ + 55°C (no freezing) keep the air flowing around illuminated push button
Operation Humidity	45~85%RH (no condensation)
Use altitude	Installation location should not exceed 2000m above sea level
Contact Resistor	$\leq 50m\Omega$
Insulation Resistor	$\geq 100M\Omega(500VDC)$
Maximum withstand voltage	3000V, AC 50Hz, 1min
Vibration Resistance	50Hz, Amplitude 1.0mm
Mechanical Life	Momentary knob ≥ 1 million times
	key knob, emergency stop button $\geq 200,000$ times
	Latching knob, selection knob $\geq 500,000$ times
Electrical Life	$\geq 50,000$ times
Connection	Screw terminal, connecting ability: Min : $1 \times 0.5mm$
	Max: $2 \times 1.5mm^2$ (with connecting link) Max: $1 \times 2.5mm^2$ (without connecting link)
Operating force	8N(1NO1NC), 14N(2NO2NC)
Operation Travel	Approx. 5.5 mm (button)
Pollution Degree	3 degrees

Lamp Ratings

LED Life	Rated Current	Voltage fluctuation	Lamp Circuit Diagram
40000 hours	24V approx. 15mA 110V approx. 2mA	DC: $\pm 10\%$ AC: $2\Phi\%$	<p>Use inner protection resistors and no positive or negative distinction.</p>

ONPOW26 Series model description

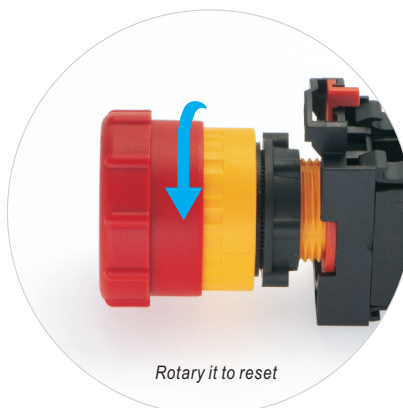
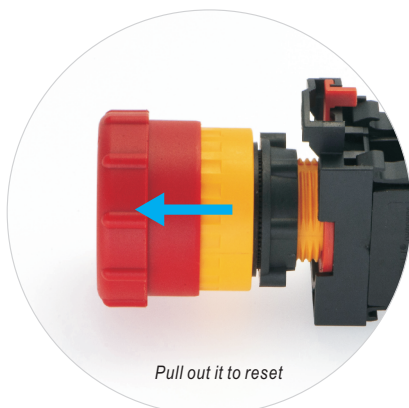
ONPOW26-□■◆●/△/▲/※

Symbol	Symbol name	Specify
	Contact structure	11(1NO1NC) / 10(1NO) / 01(1NC) / 20(2NO) / 02(2NC)
		22(2NO2NC) / 40(4NO) / 04(4NC) / 31(3NO1NC) / 13(1NO3NC)
		30(3NO) / 03(3NC) / 21(2NO1NC) / 12(1NO2NC)
	Operation type	No letter means ordinary self-repeating button / Z: self-locking button / P: metal flat button / E: ring with light / X: knob / Y: key / M: mushroom button / MB: Mushroom button type B / TSA: Emergency stop button type A / TSB: Emergency stop button type B / TSC: Emergency stop button type C Selector button and key button
	Selector Knob and Key Knob Operation position	2: Two position / 3: Three position
	Selector Knob and Key Knob operation Type	1 maintain / 2 half return / 3 self return
	Lamp color	R: Red / G: Green / Y: Yellow / B: Blue / W: White / N: Black
	Lamp voltage	6V / 12V / 24V / 110V / 220V / Other voltage can be customized / 220VC (can be customized) AC 220V capacitor step-down
	IP Degree	FP: IP67 / P: IP65 / No letter means IP40

There are two ways to release the emergency stop button

Press the actuator to lock, pull out or rotate it to reset.

Pull out or rotate the actuator can reset operation, so it is more safe and convenient.



Complies with international standards Security lock structure

Even if it is inadvertently touched, the button contact of the switch will not be disconnected, until the structure of the operation unit is locked.

This feature complies with IEC60947-5-5, 6-2 standard, and can prevent emergency stop.

Direct open circuit action function

Even if the contact is fused, the circuit can be cut off by pressing the button hard to open the contact.

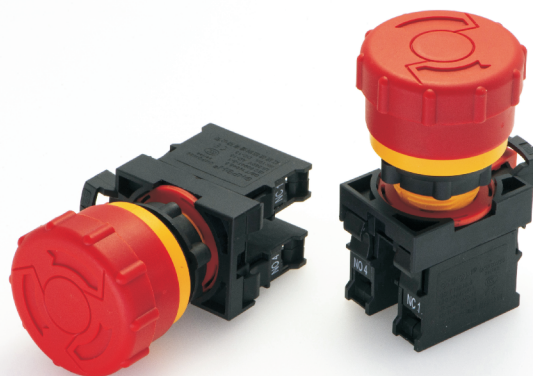
Comply with IEC60947-5-1, Enclosure K, IEC60947-5-5, 5-2)

Safety button design


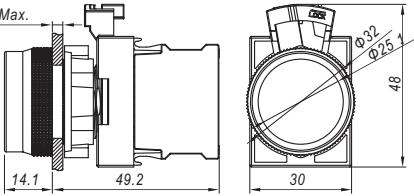

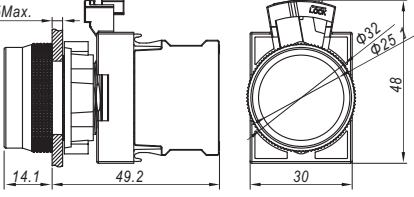

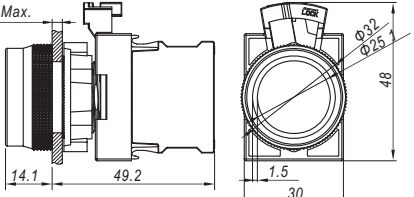

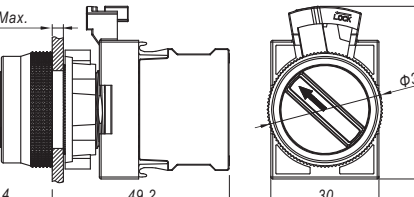
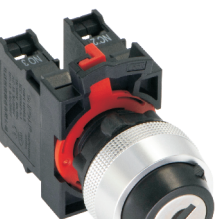
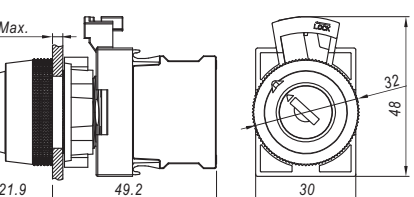
The operation head has a structure to prevent foreign matters from being sandwiched between the button and the panel.

The operation head structure is designed to prevent the button from being forcibly removed at the front of the panel.


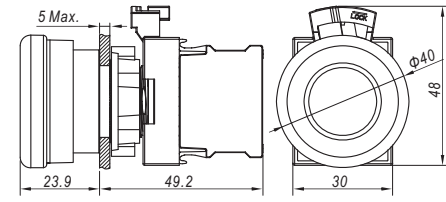

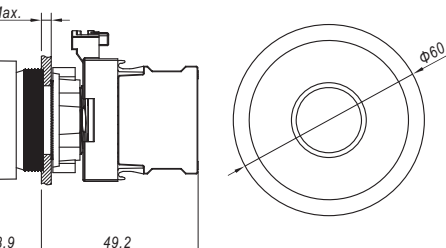

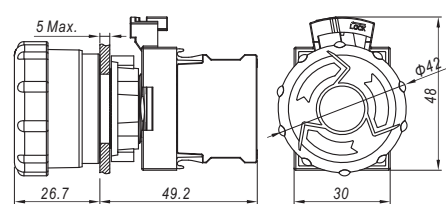

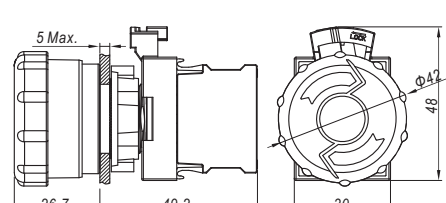

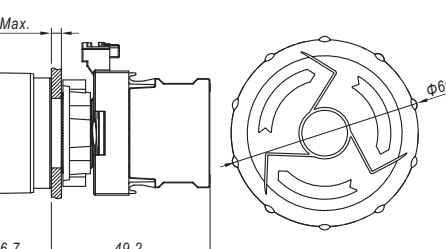
Comply with IEC60947-5-5, 6.3.2)



ONPOW26

Product Picture	Description	Dimension
 <p>Flat Head Pushbutton ONPOW26-□■P/※</p>	<p>Contact 11: 1NO1NC / 10: 1NO / 01: 1NC Other switch combinations refer to the model description</p> <p>Operation type Z: Latching / No letter means momentary</p> <p>IP degree※ P:IP65 / No letter means IP40</p>	 <p>5Max. 14.1 49.2 30 48 Φ32 Φ25</p>
 <p>Flat Head Pushbutton (can be illuminated) ONPOW26-□■/△/▲/※</p>	<p>Contact 11: 1NO1NC / 10: 1NO / 01: 1NC Other switch combinations refer to the model description</p> <p>Operation type Z: Latching / No letter means momentary</p> <p>LED color R G Y B W N</p> <p>LED voltage 6V / 12V / 24V / 110V / 220V</p> <p>IP degree※ P:IP65 / No letter means IP40</p>	 <p>5Max. 14.1 49.2 30 48 Φ32 Φ25</p>
 <p>Ring type push button (can be illuminated) ONPOW26-□■E/△/▲/※</p>	<p>Contact 11: 1NO1NC / 10: 1NO / 01: 1NC Other switch combinations refer to the model description</p> <p>Operation type Z: Latching / No letter means momentary</p> <p>LED color R G Y B W N</p> <p>LED voltage 6V / 12V / 24V / 110V / 220V</p> <p>IP degree※ P:IP65 / No letter means IP40</p>	 <p>5Max. 14.1 49.2 30 48 1.5 Φ32 Φ25</p>
 <p>Selector switch (can be illuminated) ONPOW26-□X/◆◇/△/▲/※</p>	<p>Contact 11: 1NO1NC / 20: 2NO / 02: 2NC Other switch combinations refer to the model description</p> <p>Operation</p> <p>LED color R G Y B W N</p> <p>LED voltage 6V / 12V / 24V / 110V / 220V</p> <p>IP degree※ P:IP65 / No letter means IP40</p>	 <p>5Max. 27.4 49.2 30 48 Φ32</p>
 <p>Key switch ONPOW26-□Y/◆ /※</p>	<p>Contact 11: 1NO1NC / 20: 2NO / 02: 2NC Other switch combinations refer to the model description</p> <p>Operation</p> <p>IP degree※ P:IP65 / No letter means IP40</p>	 <p>5Max. 21.9 49.2 30 48 32</p>

ONPOW26

Product Picture	Description	Dimension
 <p>Mushroom pushbutton (can be illuminated) ONPOW26-□■M/△/▲/※</p>	<p>Contact 11: 1NO1NC / 10: 1NO / 01: 1NC Other switch combinations refer to the model description</p> <p>Operation type Z: Latching / No letter means momentary</p> <p>LED color R G</p> <p>LED voltage 6V / 12V / 24V / 110V / 220V</p> <p>IP degree※ P:IP65 / No letter means IP40</p>	 <p>5 Max. 23.9 49.2 30 48 $\Phi 40$</p>
 <p>B type Mushroom pushbutton (can be illuminated) ONPOW26-□■MB/△/▲/※</p>	<p>Contact 11: 1NO1NC / 10: 1NO / 01: 1NC Other switch combinations refer to the model description</p> <p>Operation type Z: Latching / No letter means momentary</p> <p>LED color R G</p> <p>LED voltage 6V / 12V / 24V / 110V / 220V</p> <p>IP degree※ P:IP65 / No letter means IP40</p>	 <p>5 Max. 23.9 49.2 $\Phi 40$</p>
 <p>Emergency stop switch (can be illuminated) ONPOW26-□■TSA/△/▲/※</p>	<p>Operation Push-lock, pull/turn-reset</p> <p>Contact 11: 1NO1NC / 10: 1NO / 01: 1NC Other switch combinations refer to the model description</p> <p>LED voltage 6V / 12V / 24V / 110V / 220V</p> <p>IP degree※ P:IP65 / No letter means IP40</p> <p>Accessory Warning ring T14-2260 / Protective ring T26</p>	 <p>5 Max. 26.7 49.2 30 48 $\Phi 42$</p>
 <p>B type Emergency stop switch (can be illuminated) ONPOW26-□■TSB/△/▲/※</p>	<p>Operation Push-lock, pull/turn-reset</p> <p>Contact 11: 1NO1NC / 10: 1NO / 01: 1NC Other switch combinations refer to the model description</p> <p>LED voltage 6V / 12V / 24V / 110V / 220V</p> <p>IP degree※ P:IP65 / No letter means IP40</p> <p>Accessory Warning ring T14-2260 / Protective ring T26</p>	 <p>5 Max. 26.7 49.2 30 48 $\Phi 42$</p>
 <p>C type Emergency stop switch (can be illuminated) ONPOW26-□■TSC/△/▲/※</p>	<p>Operation Push-lock, pull/turn-reset</p> <p>Contact 11: 1NO1NC / 10: 1NO / 01: 1NC Other switch combinations refer to the model description</p> <p>LED voltage 6V / 12V / 24V / 110V / 220V</p> <p>IP degree※ P:IP65 / No letter means IP40</p> <p>Accessory Warning ring T14-2260</p>	 <p>5 Max. 26.7 49.2 $\Phi 60$</p>

