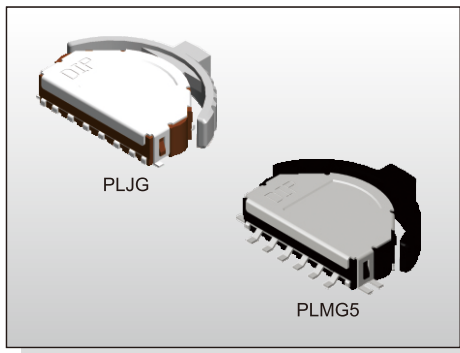


# MULTI FUNCTION SWITCH PL SERIES

Push & Lever  
Type



## FEATURES

※Multi function (Push & Lever)

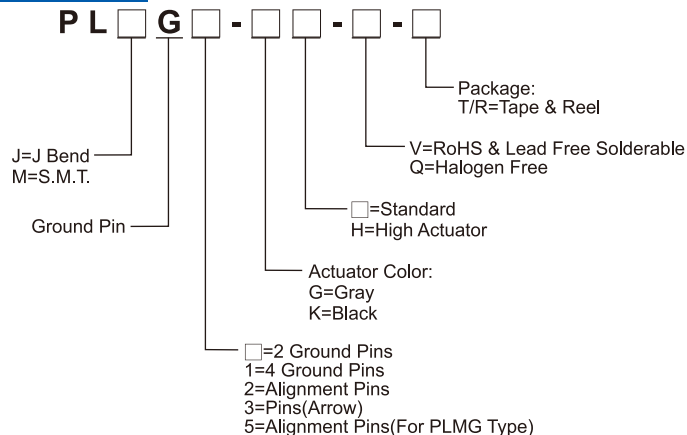
## APPLICATION

※Remote controls  
※Volume control for variety of applications

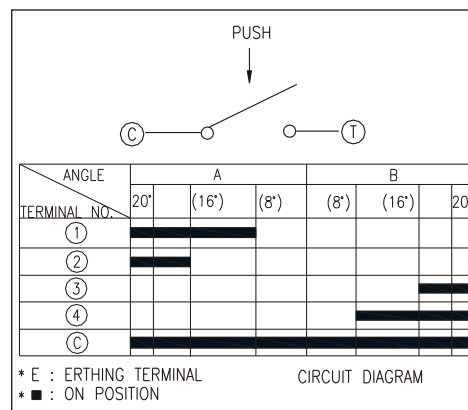
## SPECIFICATION

Contact Rating	10mA, 5V DC
Contact Resistance	100mΩ max.
Insulation Resistance	100MΩ min. 100V DC
Dielectric Strength	100V AC/1 minute
Operating Force	40±20gf, Return actuator 150+100/-50gf, Center push direction
Operating Life	100,000 cycles
Operating Temp.	-10°C ~ +70°C
Storage Temp.	-25°C ~ +85°C

## HOW TO ORDER



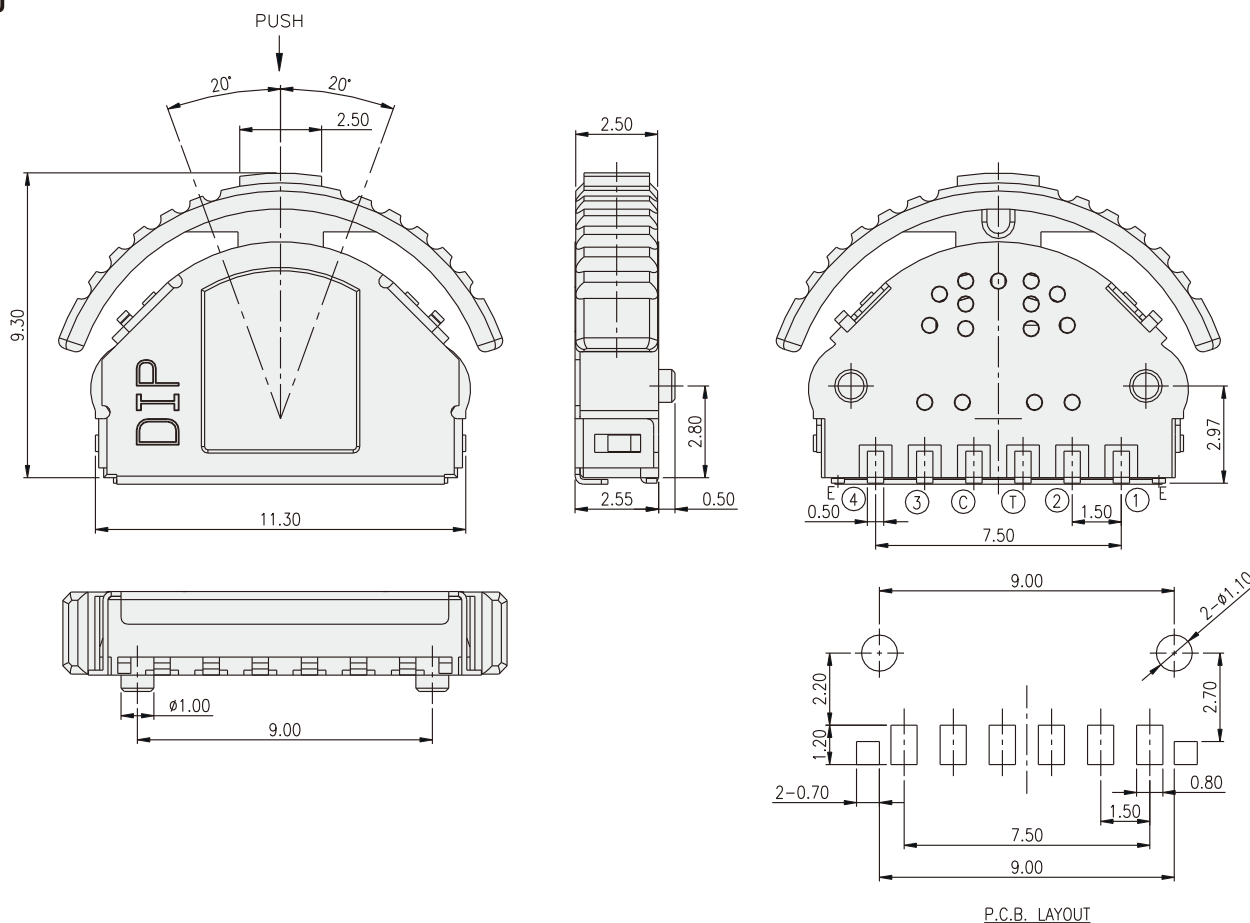
## CIRCUIT



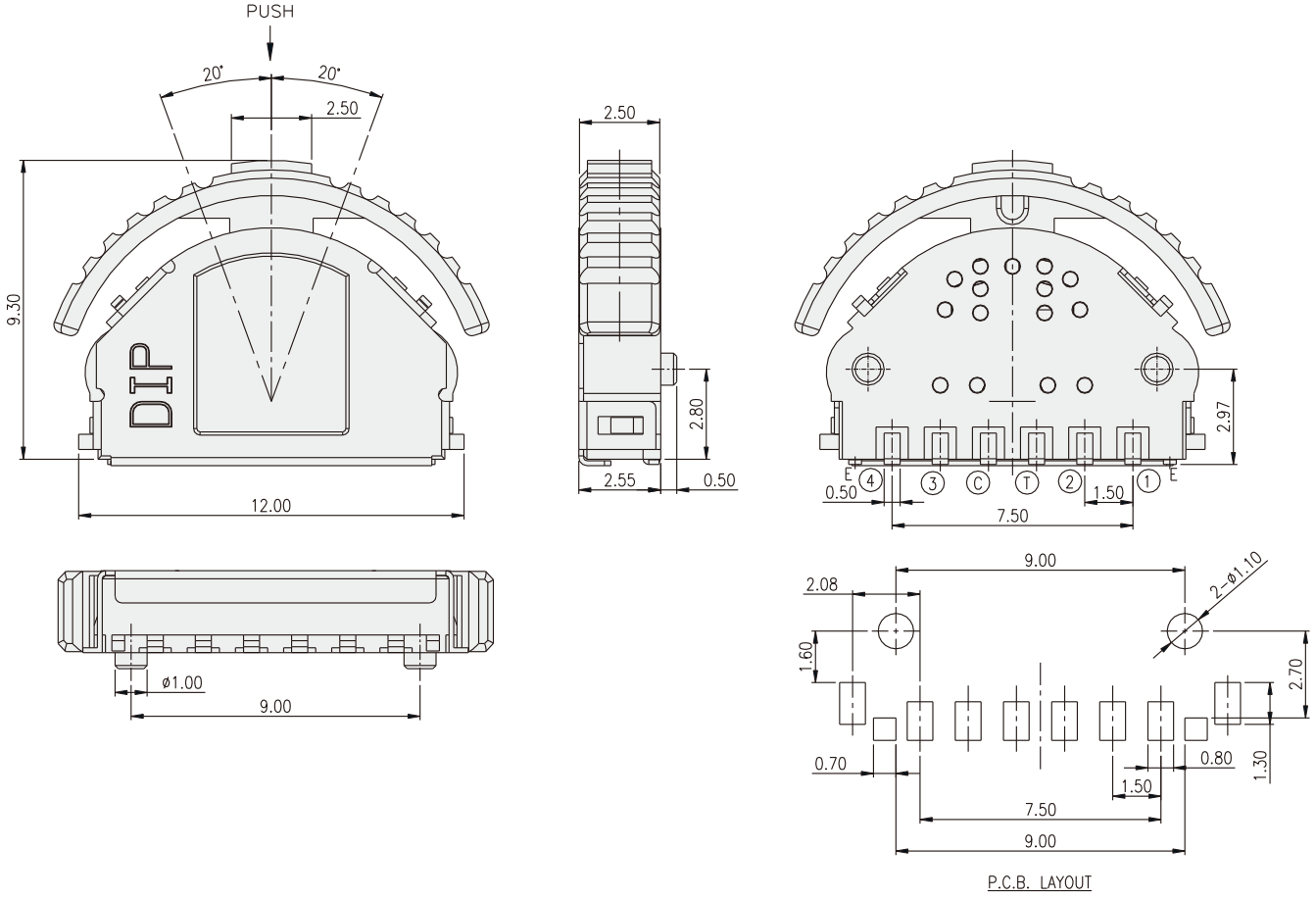
## PACKAGE

<Tape & Reel>  
 PLJ(G), PLJG1: 1000 pcs  
 PLJG(2)(3): 800 pcs  
 PLMG5: 750 pcs

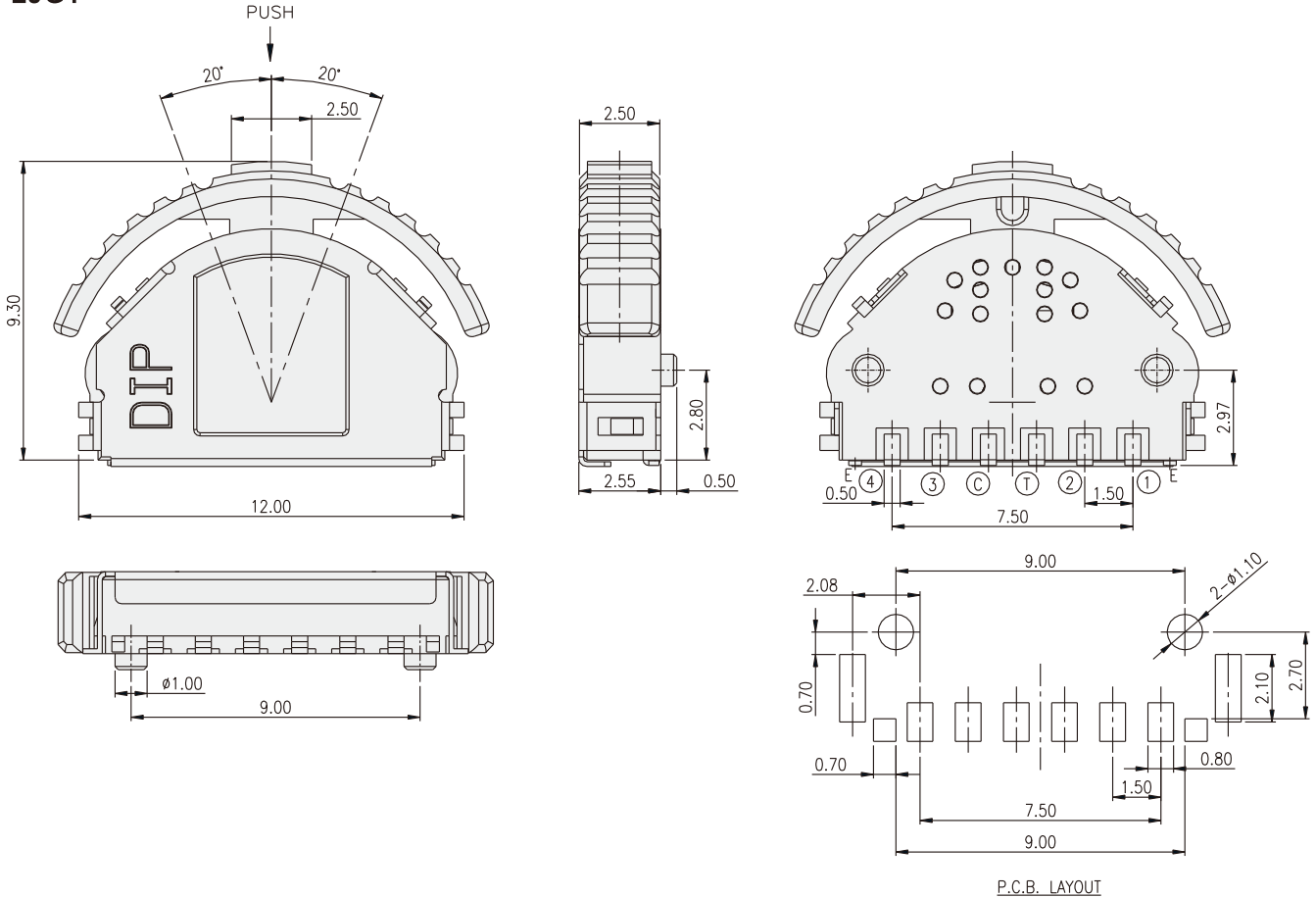
## PLJ



**PLJG**



**PLJG1**

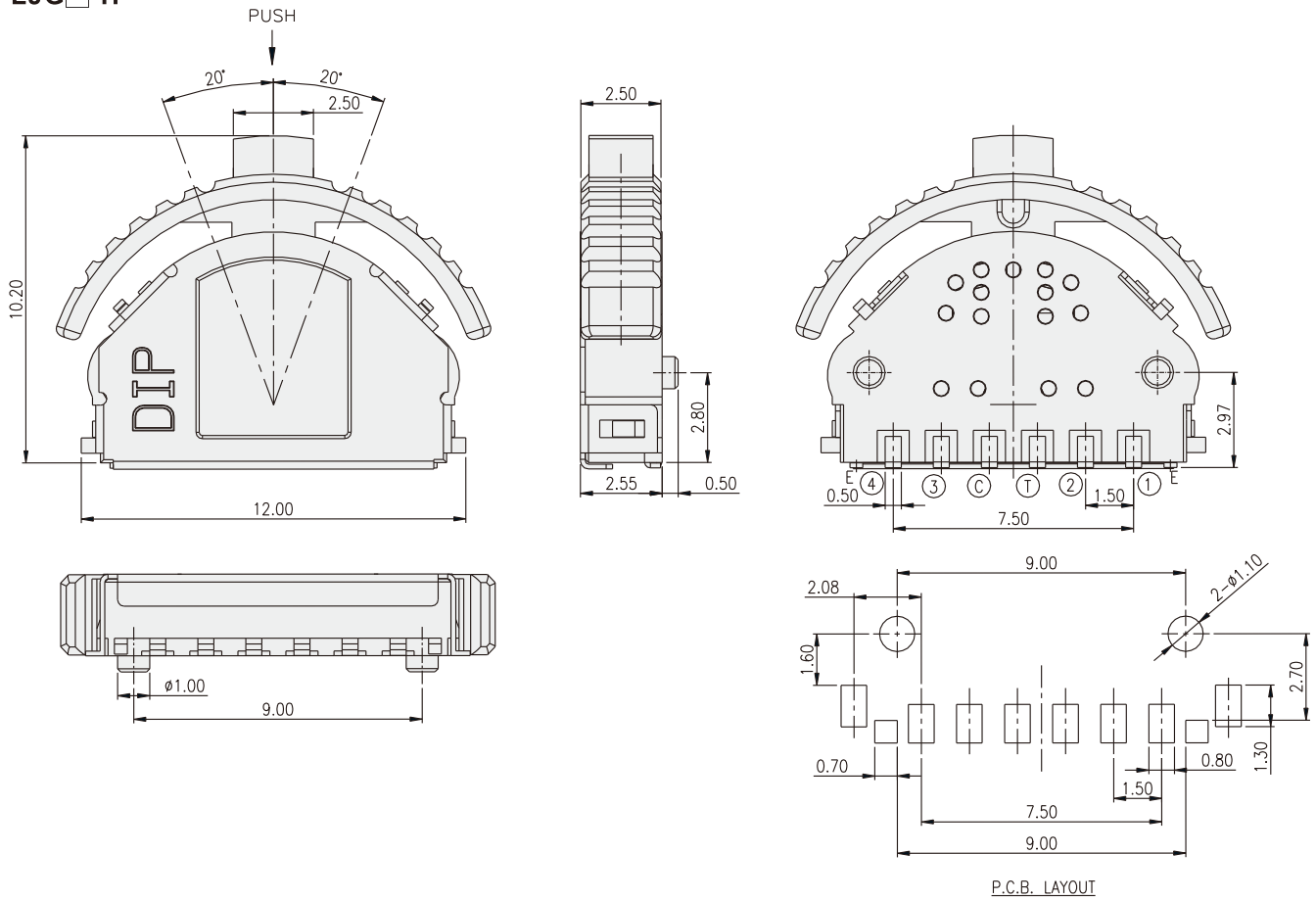


MULTI FUNCTION SWITCH  
**PL SERIES**

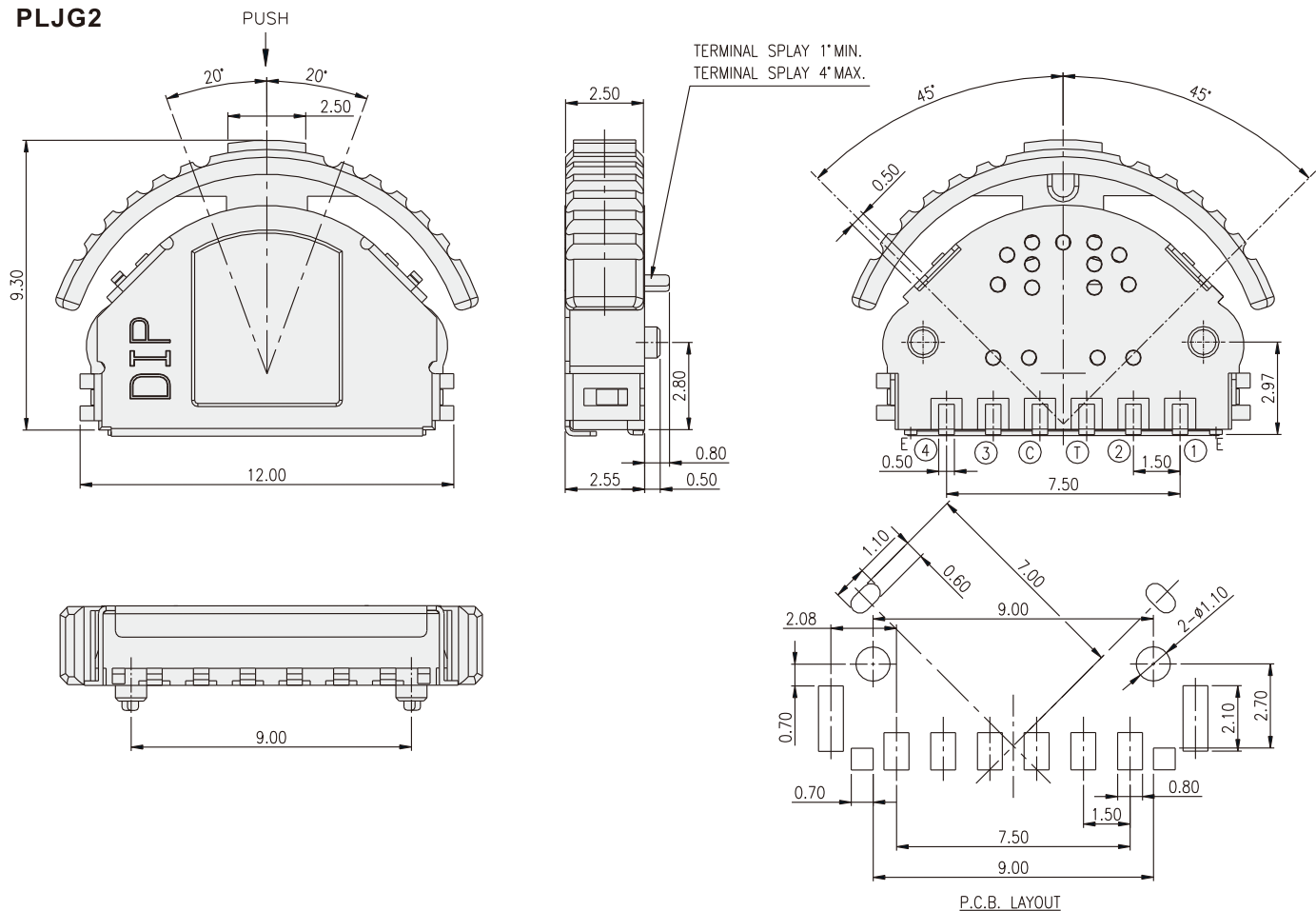
**Push & Lever  
Type**



**PLJG□-H**



**PLJG2**



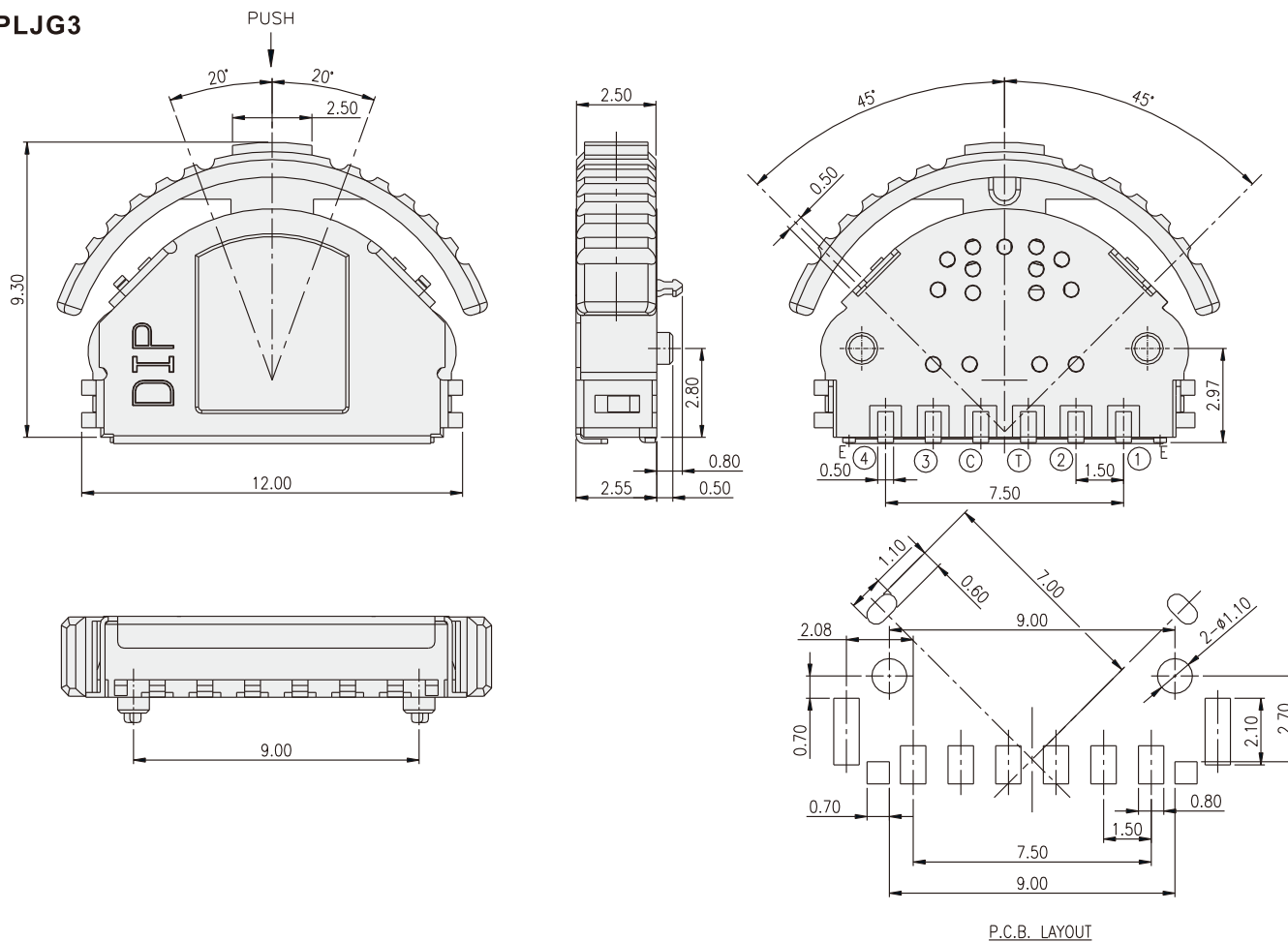
MULTI FUNCTION SWITCH

MULTI FUNCTION SWITCH  
**PL SERIES**

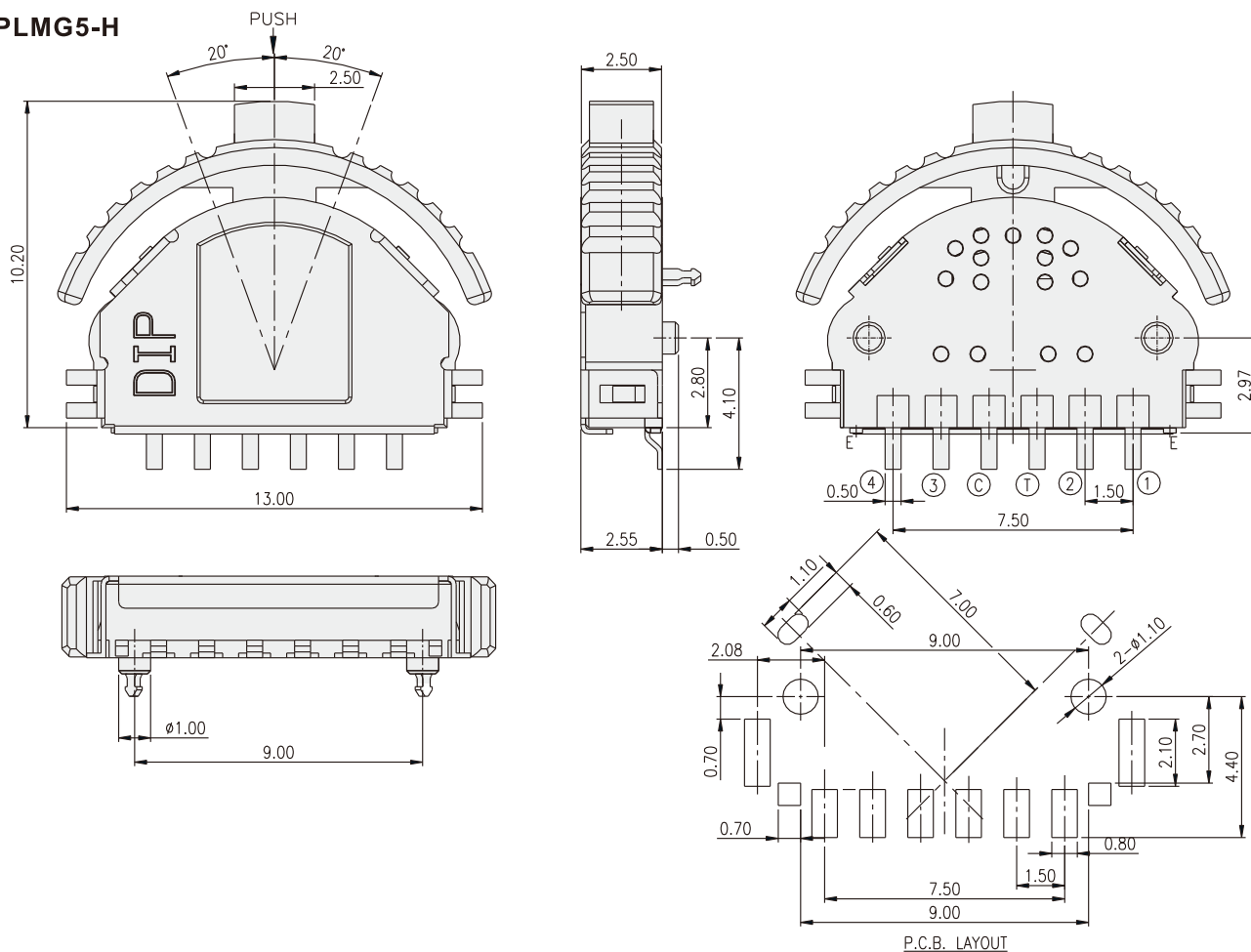
**Push & Lever  
Type**



**PLJG3**



**PLMG5-H**



MULTI FUNCTION SWITCH