

FEATURES

- ✳️ For high density mounting
- ✳️ Vertical or side actuation
- ✳️ Reflow solderable

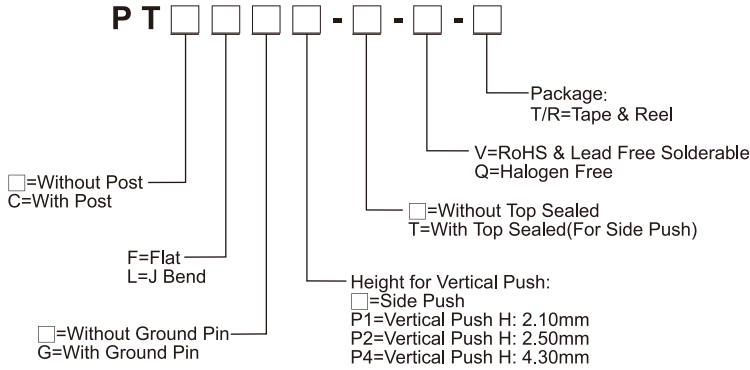
APPLICATION

- ✳️ Automotive
- ✳️ Portable electronic device
- ✳️ Control panel

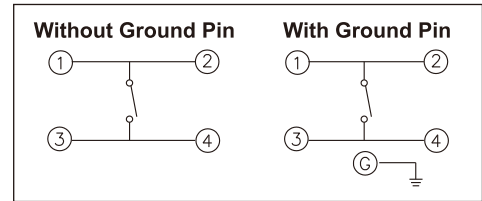
SPECIFICATION

Contact Rating	50mA, 12V DC
Contact Resistance	100mΩ max.
Insulation Resistance	100MΩ min. 500V DC
Dielectric Strength	250V AC/1 minute
Operating Force	160±50gf (Vertical Push) 220+80/-70gf (Side Push)
Travel	0.20mm (Vertical Push) 0.30mm (Side Push)
Operating Life	100,000 cycles
Operating Temp.	-25°C ~ +70°C
Storage Temp.	-30°C ~ +80°C

HOW TO ORDER



CIRCUIT



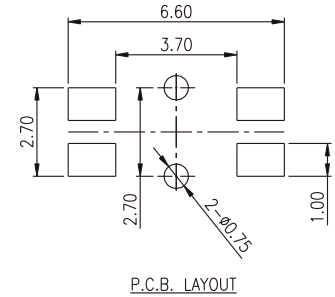
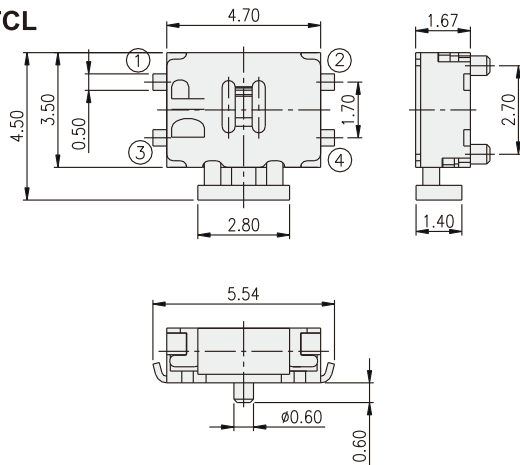
PACKAGE

<Tape & Reel>

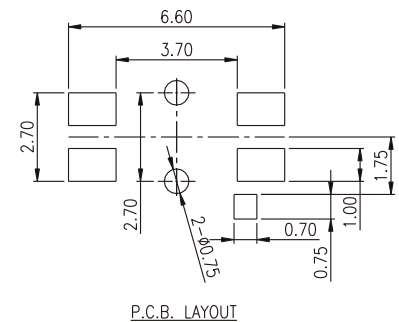
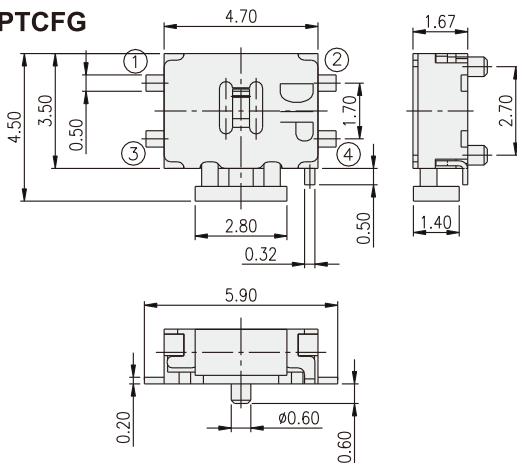
Side push: 3000 pcs
Vertical push: 2400 pcs

TACT SWITCH

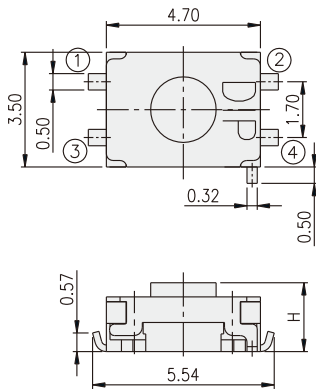
PTCL



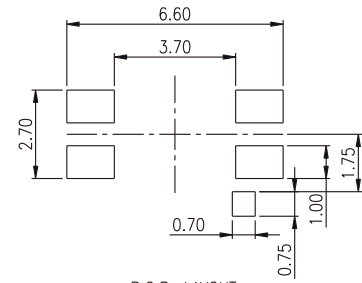
PTCFG



PTLGP □



PART NO.	H
PTLGP1	2.10
PTLGP2	2.50
PTLGP4	4.30



P.C.B. LAYOUT