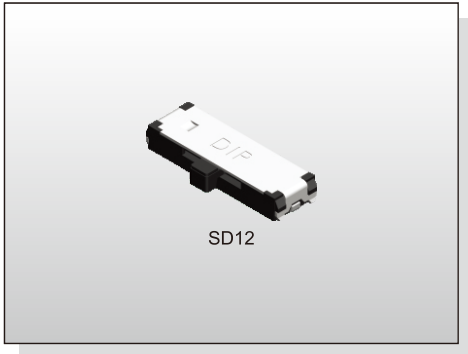


SLIDE SWITCH SD12 SERIES

Slide Type (1P3T)



FEATURES

- ※ 1.45mm height
- ※ 1P3T model
- ※ Single side recoil

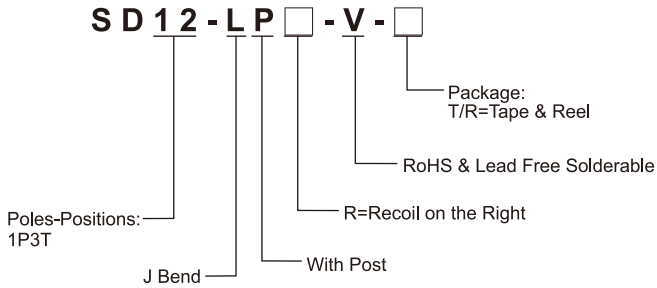
APPLICATION

- ※ Remote control
- ※ Consumer electronics
- ※ Instrumentations

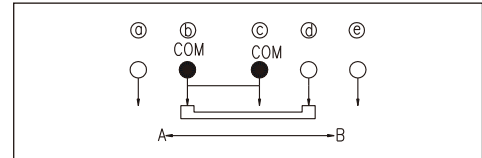
SPECIFICATION

Contact Rating	0.3A, 15V DC
Contact Resistance	1Ω max.
Insulation Resistance	10MΩ min. 100V DC
Dielectric Strength	100V AC/1 minute
Operating Force	150±100gf
Travel	1.5mm
Operating Life	5,000 cycles
Operating Temp.	-10°C ~ +60°C
Storage Temp.	-25°C ~ +85°C

HOW TO ORDER



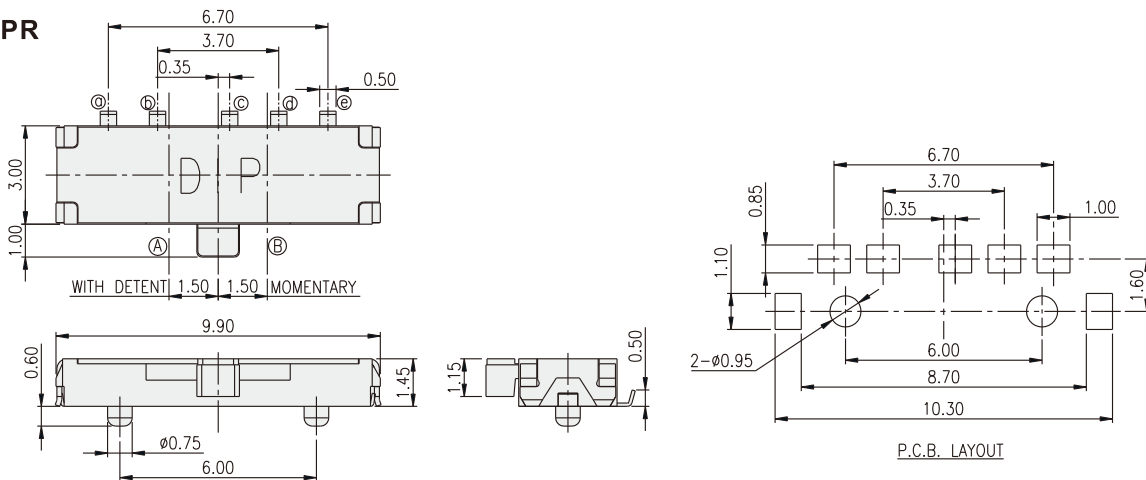
CIRCUIT



PACKAGE

<Tape & Reel>
3000 pcs

SD12-LPR



SLIDE SWITCH