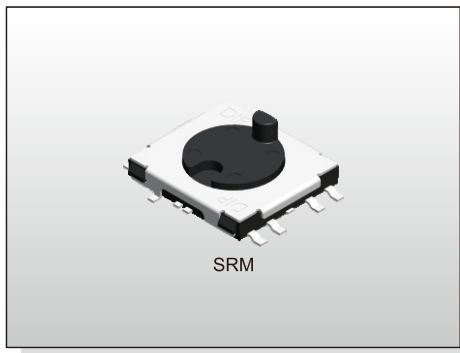


# MULTI FUNCTION SWITCH SRM SERIES

## Encoder 8-Direction Type



### FEATURES

- ※ Low profile
- ※ Mode switching with maximum 8-direction
- ※ Non-click structure applicable

### APPLICATION

- ※ Thermal controller
- ※ Camera
- ※ Audio

### SPECIFICATION

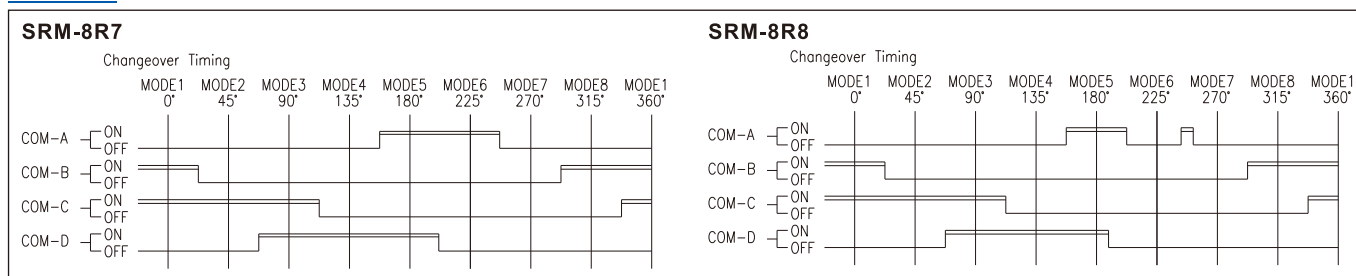
Contact Rating	25mA, 24V DC
Contact Resistance	200mΩ max.
Insulation Resistance	100MΩ min. 500V DC
Dielectric Strength	300V AC/1 minute
Operating Force	40±30gf, B 130±50gf, N
Operating Life	10,000 cycles
Operating Temp.	-25°C ~ +80°C
Storage Temp.	-40°C ~ +85°C

### HOW TO ORDER

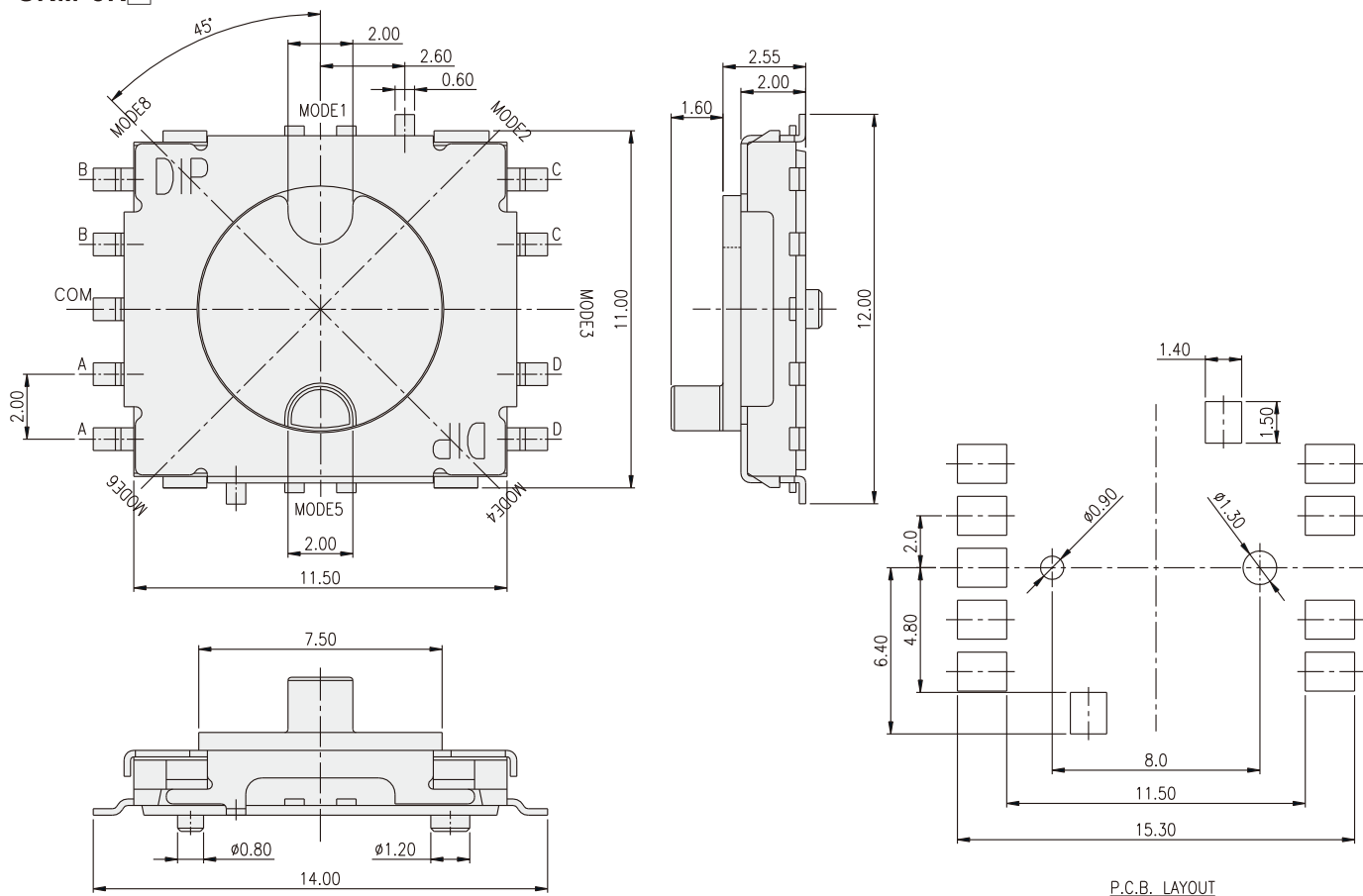
**S R M - 8 R**    **- V -**

- 8 Direction
- Package: T/R=Tape & Reel
- RoHS & Lead Free Solderable
- =Non-click, Black  
B=40gf, Blue  
N=130gf, Brown
- =Without Ground Pin  
G=With Ground Pin

### CIRCUIT



### SRM-8R



MULTI FUNCTION SWITCH