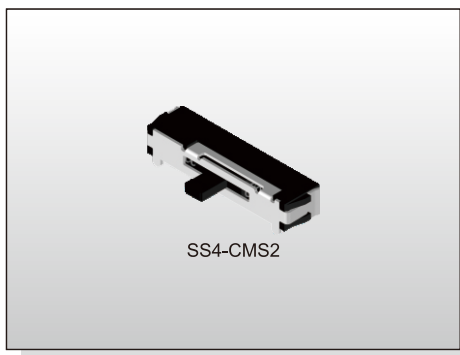


SLIDE SWITCH SS4 SERIES

Recoil & SMT Type (1P3T)



FEATURES

- ※2.0mm height
- ※1P3T model
- ※Reflow solderable

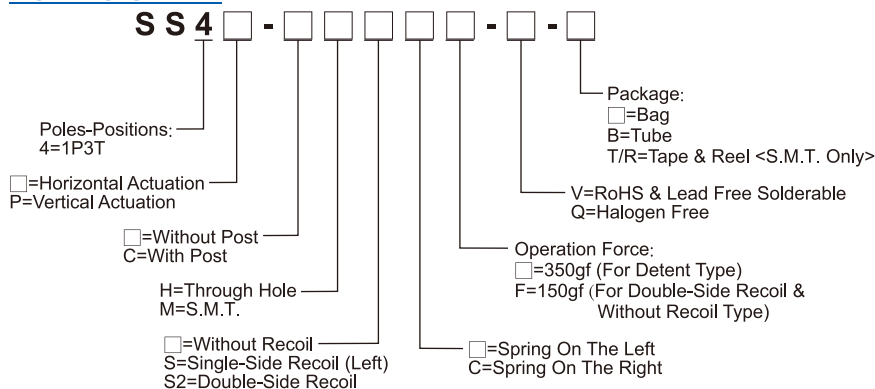
APPLICATION

- ※Remote control
- ※Consumer electronics
- ※Instrumentations

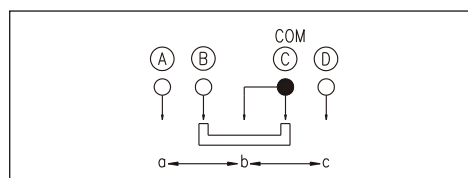
SPECIFICATION

Contact Rating	25mA, 24V DC
Contact Resistance	100mΩ max.
Insulation Resistance	100MΩ min. 500V DC
Dielectric Strength	500V AC/1 minute
Operating Force	100gf min./350gf max.(Detent Type) 150±100gf (Recoil Type)
Travel	2mm
Operating Life	10,000 cycles
Operating Temp.	-20°C ~ +70°C
Storage Temp.	-40°C ~ +85°C

HOW TO ORDER



CIRCUIT

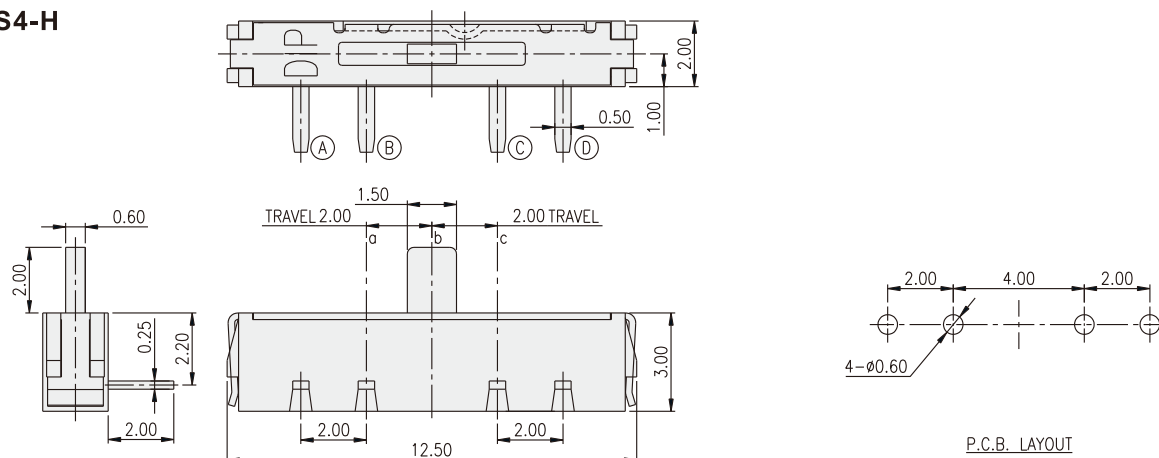


PACKAGE

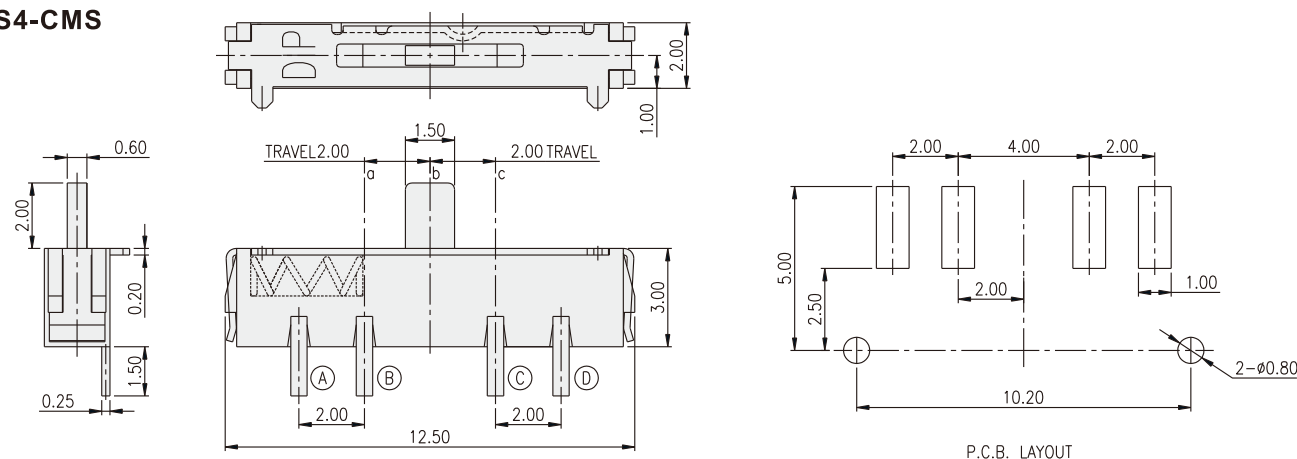
- <Bag>
1500 pcs
- <Tube>
38 pcs
- <Tape & Reel>
1900 pcs

SLIDE SWITCH

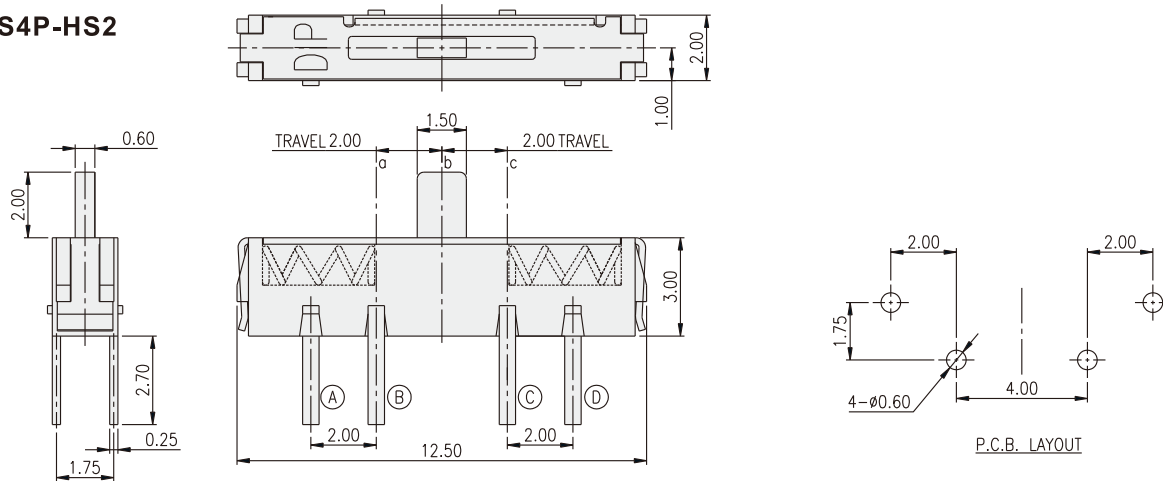
SS4-H



SS4-CMS



SS4P-HS2



SS4-CM

