

# ROTARY DIP SWITCH 10x10 Size, Height: 6.5mm, 3x3 Terminal

T/S/Q Series



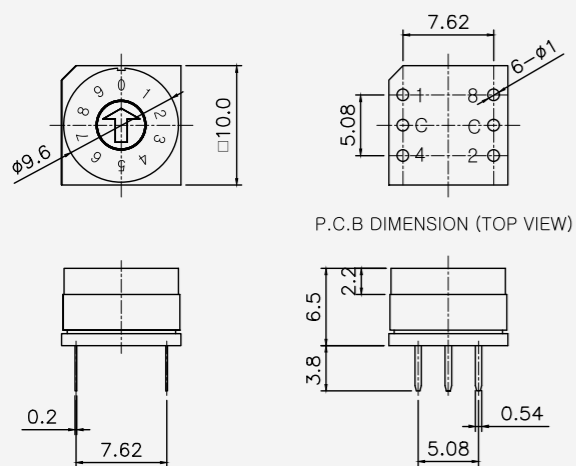
## General Specification

- Rating :** 150mA, DC 42V (Switching)  
200mA, DC 42V (None-Switching)
- Contact Resistance :** 80mΩ Max.
- Insulation Resistance :** 100MΩ Min at DC 250V
- Operating Force :** 700gf Max.
- Life Cycle :** 10,000 steps
- Sealing :** IP67 (Dust & Water proof)  
\*Except cross type of Actuator ("E" Type)

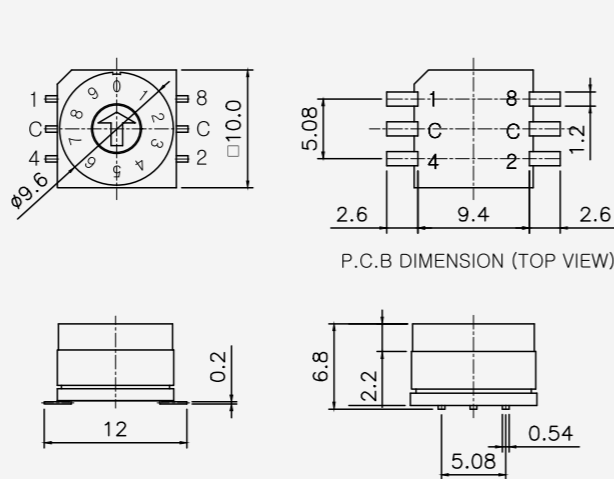
\*See page 32 for Accessories.

## GENERAL DIMENSION

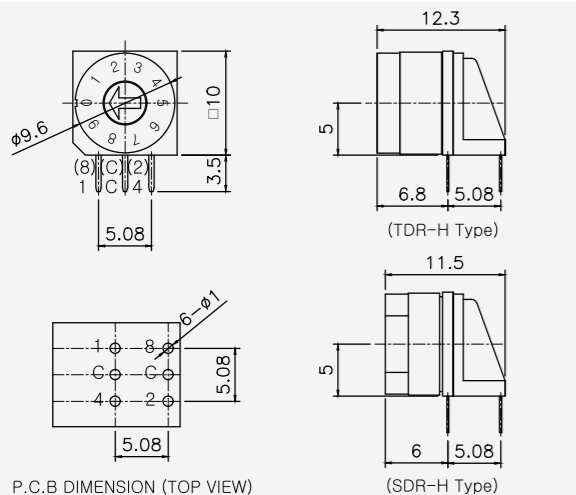
Through Hole Type Layout



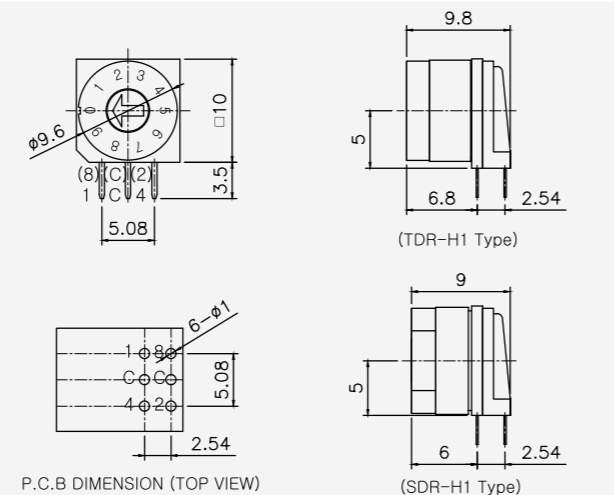
SMD Gull Wing Type Layout



Angle Type Layout (H:5.08mm)



Angle Type Layout (H1:2.54mm)



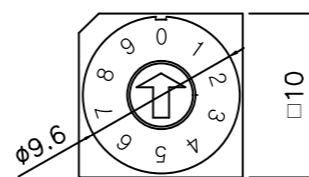
# ROTARY DIP SWITCH 10x10 Size, Height: 6.5mm, 3x3 Terminal

## HOW TO ORDER

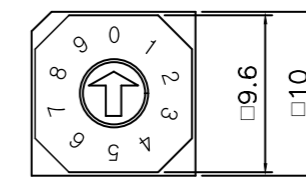
T	D	R	-	10	S	TR
Cover Type	Actuator	Code		Position	Terminal	Packing
<b>T</b> Round (Ter' 3x3) <b>S</b> Octagon (Ter' 3x3) <b>Q</b> Square (Ter' 3x3)	<b>D</b> Arrow (Height = 0mm) <b>S</b> Height = 7.3mm <b>P</b> Height = 1.0mm <b>E</b> Cross (Height = 0mm)	<b>R</b> Real Code <b>C</b> Complement Code <b>G</b> Gray Code *Other special codes are available upon the request.		<b>04</b> 4 Position <b>06</b> 6 Position <b>08</b> 8 Position <b>10</b> 10 Position <b>16</b> 16 Position	- Through-Hole (Ter' 3x3) - Through-Hole (Ter' 3x2) <b>S</b> SMD Gull Wing (Ter' 3x3) <b>SC</b> SMD Gull Wing (Ter' 3x2) <b>H</b> Right Angle 5.08mm <b>H1</b> Right Angle 2.54mm	- Tube Packing <b>TR</b> Reel Packing

## 1. Cover Type

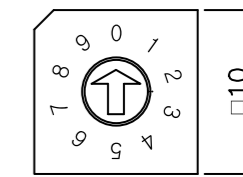
**T** Type (Round)



**S** Type (Octagon)

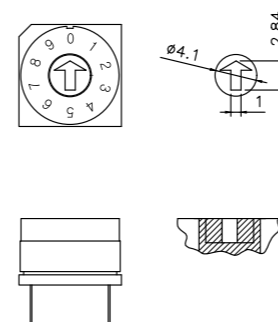


**Q** Type (Square)

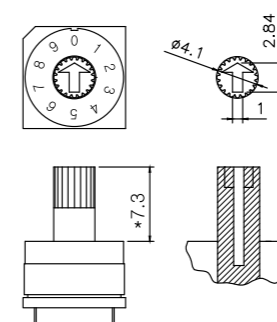


## 2. Actuator

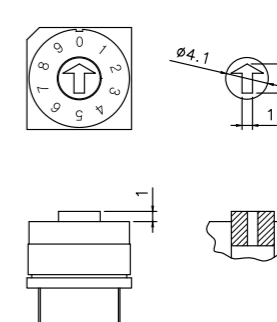
**D** Arrow (Height = 0mm)



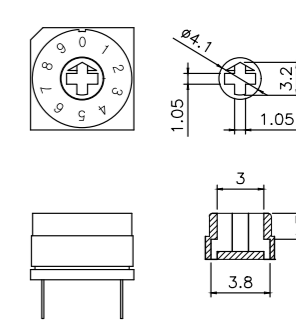
**S** Height = 7.3mm



**P** Height = 1mm



**E** Cross (Height = 0mm)



\* Only T Type Right Angle : 6.3mm

ROTARY DIP - T/S/Q

SLIDE SW

DIP SW

PUSH SW

TACT SW

LED MODULE

www.sungrun.com

ROTARY DIP - T/S/Q

SLIDE SW

DIP SW

PUSH SW

TACT SW

LED MODULE

www.sungrun.com

# ROTARY DIP SWITCH 10x10 Size, Height: 6.5mm, 3x3 Terminal

## 3. Code & Position

R

C

G

**R Real Code**

**C Complement Code**

**G Gray Code**

\* See page 30 for special codes.

## 4. Terminal

-

C

S

**- Through-Hole (Ter' 3x3)**

P.C.B DIMENSION (TOP VIEW)

**C Through-Hole (Ter' 3x2)**

P.C.B DIMENSION (TOP VIEW)

**S SMD Type (Ter' 3x3)**

P.C.B DIMENSION (TOP VIEW)

**SC SMD Type (Ter' 3x2)**

P.C.B DIMENSION (TOP VIEW)

**H Angle Type 5.08mm (Ter' 3x3)**

P.C.B DIMENSION (TOP VIEW)

**H1 Angle Type 2.54mm (Ter' 3x3)**

P.C.B DIMENSION (TOP VIEW)

## 5. Packing

-

TR

**- Tube Packing (Q'ty: 50Pcs/Tube)**

**TR Reel Packing (See page 31)**