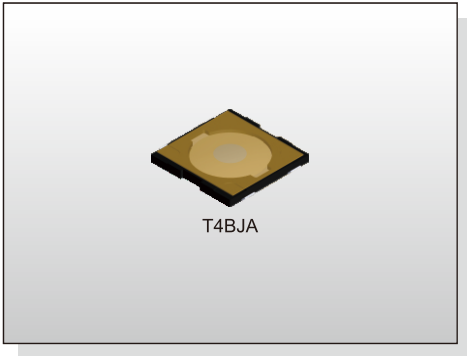


TACT SWITCH  
**T4BJ** SERIES

4.8x4.8 J Terminal SMT Type  
(H: 0.55mm)



**FEATURES**

- ※ Compact-sized 4.8x4.8mm
- ※ Low profile of 0.55mm height
- ※ Long operating life

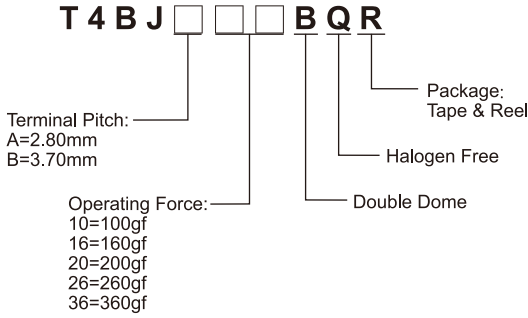
**APPLICATION**

- ※ Smart phone
- ※ Digital camera, Medical
- ※ Portable electronic device

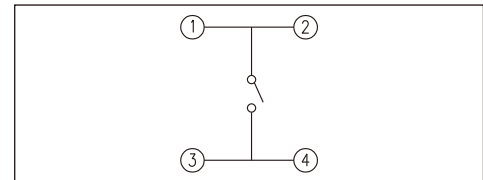
**SPECIFICATION**

Contact Rating	50mA, 12V DC
Contact Resistance	100mΩ max.
Insulation Resistance	100MΩ min. 100V DC
Dielectric Strength	100V AC/1 minute
Operating Force	100±50gf/160±50gf/200±50gf 260±50gf/360±60gf
Travel	0.2mm
Operating Life	200,000 cycles for 360gf 500,000 cycles for 260/200gf 1,000,000 cycles for 160/100gf
Operating Temp.	-30°C ~ +80°C
Storage Temp.	-40°C ~ +85°C

**HOW TO ORDER**



**CIRCUIT**

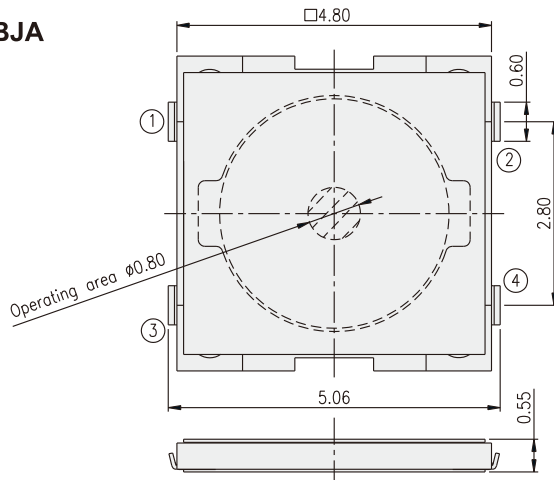


**PACKAGE**

<Tape & Reel>  
8000 pcs

TACT SWITCH

**T4BJA**



**T4BJB**

