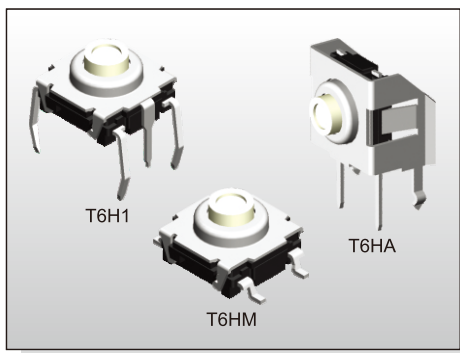


TACT SWITCH
T6H SERIES

7.4x7.4 / 8.0x8.0
Right Angle / Through Hole / SMT Type



FEATURES

- ✘ Support automatic insertion
- ✘ Vertical actuation
- ✘ Dust proof structure

APPLICATION

- ✘ Automotive
- ✘ Industrial
- ✘ Instrumentation

SPECIFICATION

Contact Rating	50mA, 12V DC
Contact Resistance	100mΩ max.
Insulation Resistance	100MΩ min. 100V DC
Dielectric Strength	250V AC/1 minute
Operating Force	130±50gf / 160±50gf 300±50gf / 500±100gf
Travel	0.5mm
Operating Life	200,000 cycles for 500gf 500,000 cycles for 300gf 1,000,000 cycles for 160/130gf
Operating Temp.	-40°C ~ +85°C
Storage Temp.	-40°C ~ +85°C

HOW TO ORDER

T 6 H [] - [] [] [] Q []

A=Right angle series
H=Through holes
M=S.M.T Type
1=6x6 ground terminal type
2=S.M.T ground terminal type

Package Style:
R=Tape & Reel (S.M.T. Type Only)
B=Tube

Halogen Free

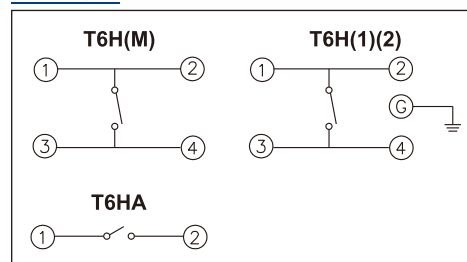
Contact Plating:
G = Plating Ag
A= Plating Au

Operating Force:
2=130gf
3=160gf
5=300gf
6=500gf

Total Height :

SMT/Through hole	Right angle
1=4.70mm	1=6.04mm
2=5.20mm	2=6.54mm
3=6.90mm	3=8.24mm
5=10.0mm	5=11.34mm

CIRCUIT

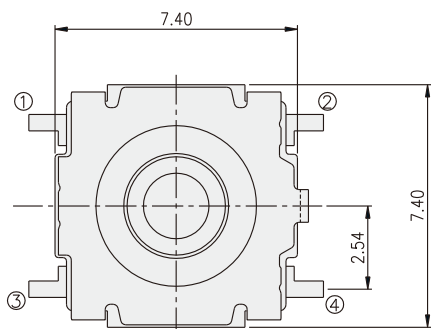


PACKAGE

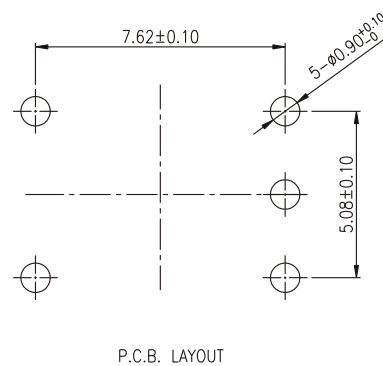
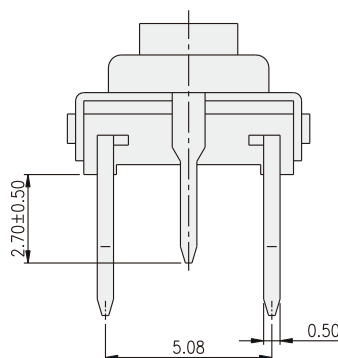
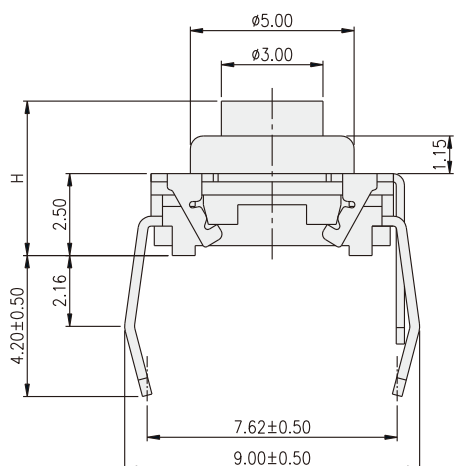
<Tube>
T6HH, T6H1: 60 pcs
T6HA: 52 pcs
<Tape & Reel>
T6HM-(1)(2): 700 pcs
T6HM-3: 500 pcs
T6HM-5: 350 pcs

TACT SWITCH

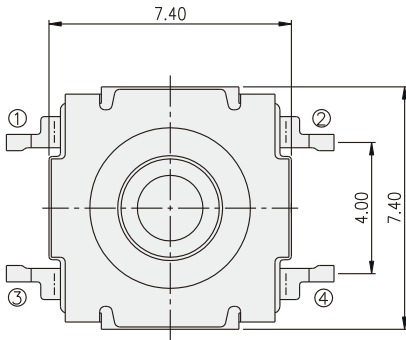
T6H1



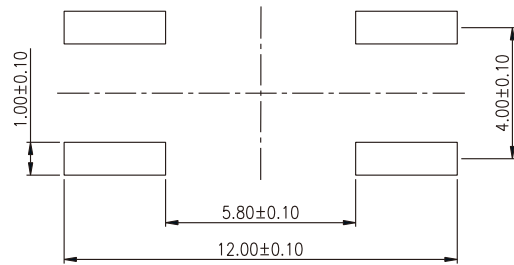
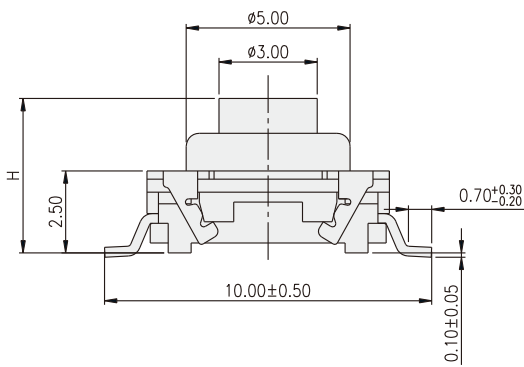
PART NO.	H
T6H1-1	4.70
T6H1-2	5.20
T6H1-3	6.90
T6H1-5	10.00



T6HM



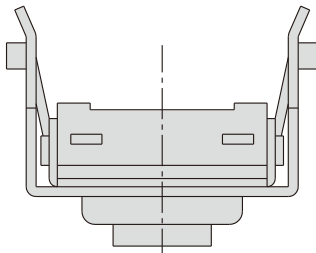
PART NO.	H
T6HM-1	4.70
T6HM-2	5.20
T6HM-3	6.90
T6HM-5	10.00



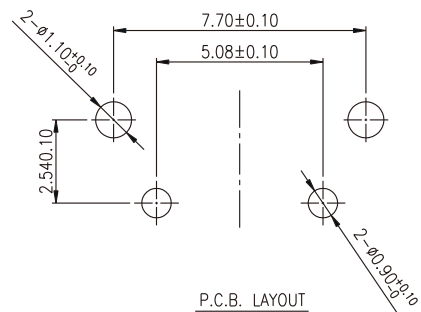
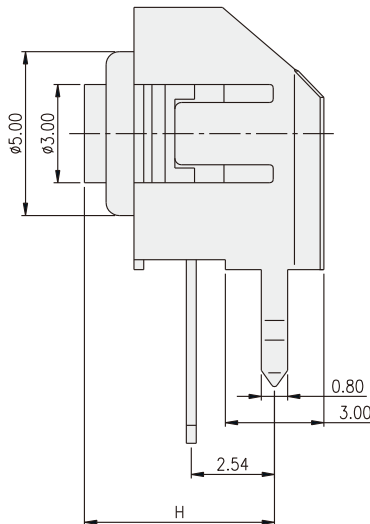
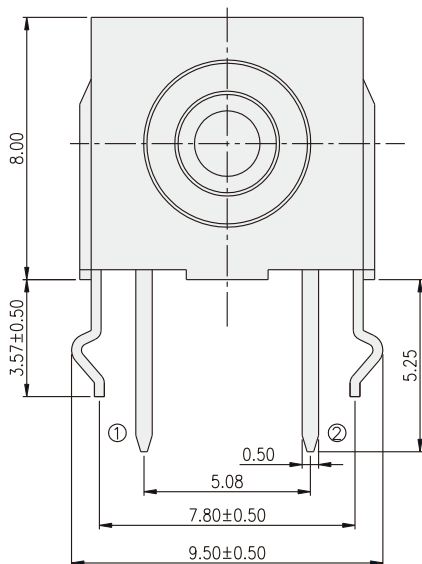
P.C.B. LAYOUT

TACT SWITCH

T6HA



PART NO.	H
T6HA-1	6.04
T6HA-2	6.54
T6HA-3	8.24
T6HA-5	11.34



P.C.B. LAYOUT