

FEATURES

- ※ Miniature 5.9*6.0mm
- ※ Long Travel type
- ※ 100,000 operating life cycles

APPLICATION

- ※ Automotive
- ※ Instrumentation
- ※ Audio

SPECIFICATION

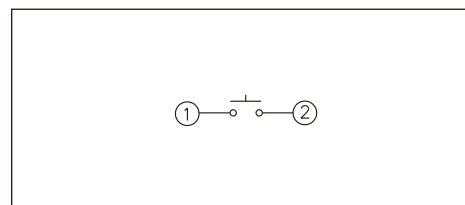
Contact Rating	10uA, 1V DC to 50mA, 16V DC
Contact Resistance	100mΩ max. 500V DC
Insulation Resistance	100MΩ min. 100V DC
Dielectric Strength	250V AC/1 minute
Operating Force	160±50gf/200±60gf 250±80gf/300±80gf
Travel	1.3mm
Operating Life	100,000 cycles (160gf/200gf/250gf/300gf)
Operating Temp.	-40°C ~ +90°C
Storage Temp.	-40°C ~ +90°C

HOW TO ORDER

T 6 L - K Q R

- Operating Force:
 - 2=160±50gf
 - 3=200±60gf
 - 4=250±80gf
 - 5=300±80gf
- Package: Tape & Reel
- Halogen Free
- Button Color: Black

CIRCUIT

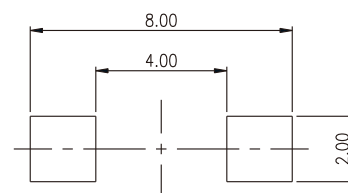
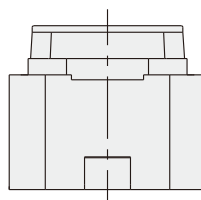
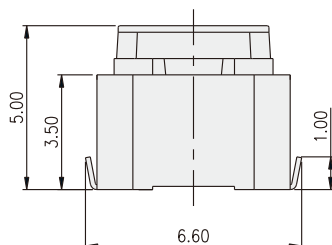
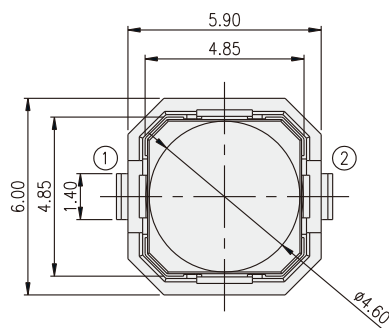


PACKAGE

<Tape & Reel>
1200 pcs

TACT SWITCH

T6L



P.C.B. LAYOUT