

TCF

FEATURES

- ※Miniature 2.9x4.5mm
- ※Side push mid-mount type
- ※200,000 operating life cycles

APPLICATION

- ※Smart phone
- ※Portable personal audio
- ※Digital camera

SPECIFICATION

Contact Rating	10μA, 2V DC to 20mA, 15V DC
Contact Resistance	1000mΩ max.
Insulation Resistance	100MΩ min. 100V DC
Dielectric Strength	250V AC/1 minute
Operating Force	160±50gf/240±70gf
Travel	0.15mm
Operating Life	200,000 cycles
Operating Temp.	-40°C ~ +85°C
Storage Temp.	-40°C ~ +85°C

HOW TO ORDER

TCF □ □ QR

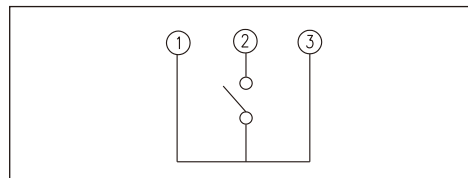
□=Without Post
C=With Post

Package:
Tape & Reel

Halogen Free

Operating Force:
2=160gf
3=240gf

CIRCUIT

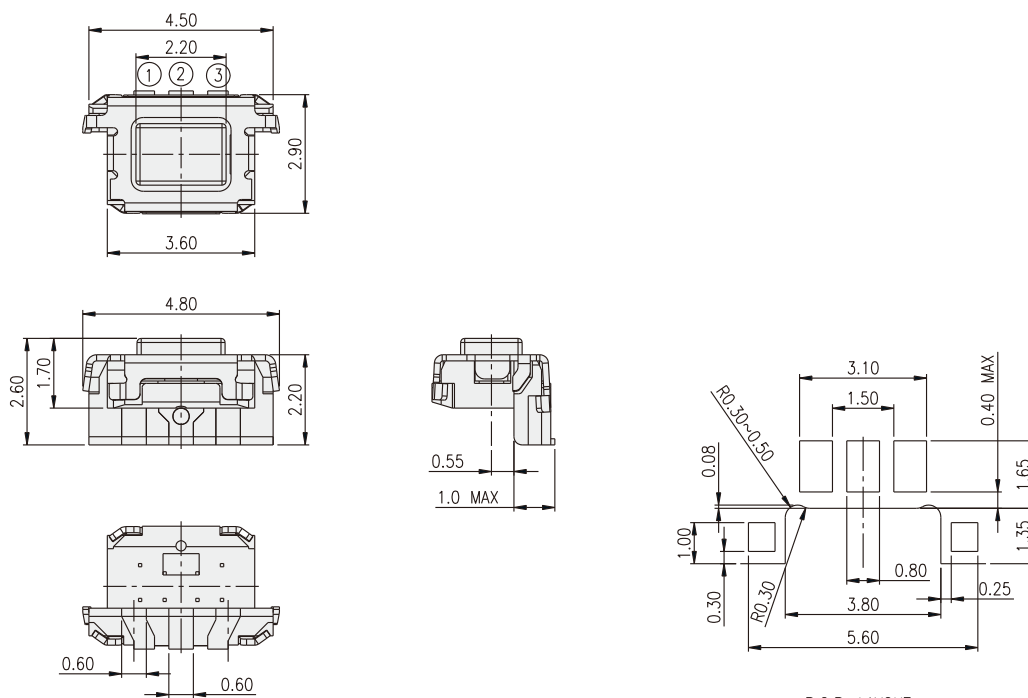


PACKAGE

<Tape & Reel>
2400 pcs

TACT SWITCH

TCF



P.C.B. LAYOUT