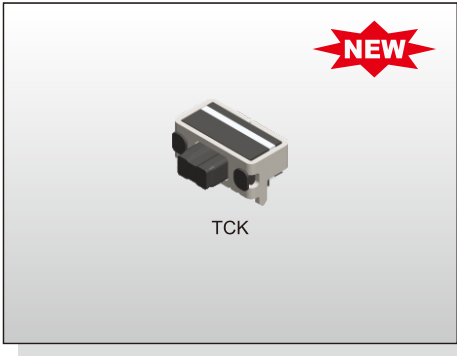


TACT SWITCH
TCK SERIES

1.55x3.85
PCB Sealed Type Side Push



TCK

FEATURES

- ※Side-operational type
- ※PCB-base structure
- ※Sealed with dust proof

APPLICATION

- ※Smart phone
- ※Portable devices

SPECIFICATION

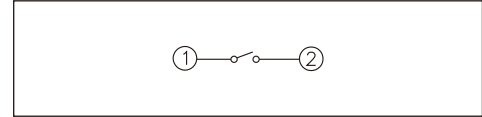
Contact Rating	20mA, 12V DC
Contact Resistance	100mΩ max.
Insulation Resistance	100MΩ min. 100V DC
Dielectric Strength	250V AC/1 minute
Operating Force	160±50gf
Travel	0.2mm
Operating Life	200,000 cycles
Operating Temp.	-40°C ~ +85°C
Storage Temp.	-40°C ~ +85°C

HOW TO ORDER

TCK2QRS



CIRCUIT

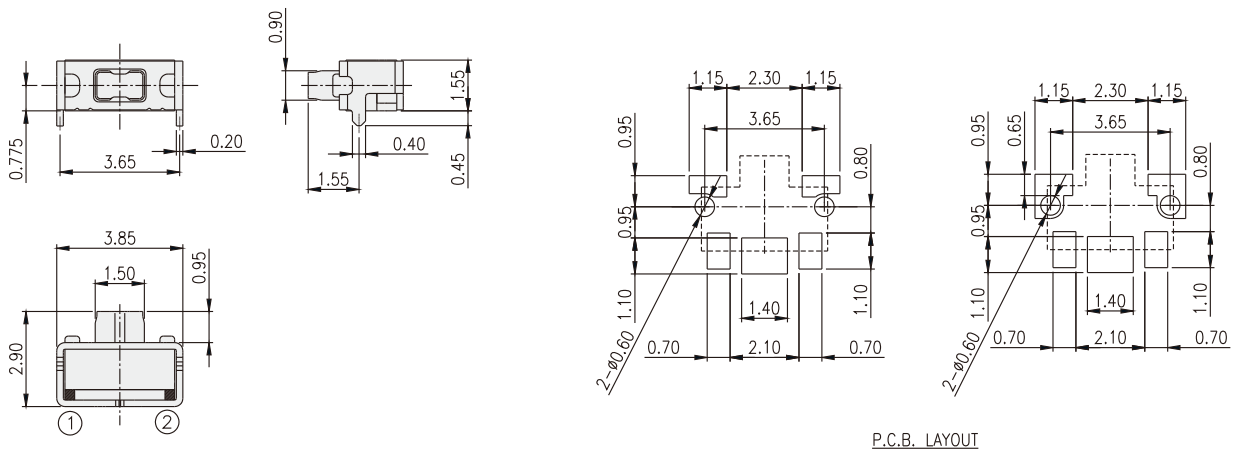


PACKAGE

<Tape & Reel>
3000 pcs

TACT SWITCH

TCK



P.C.B. LAYOUT