

**FEATURES**

※Left or right operation direction

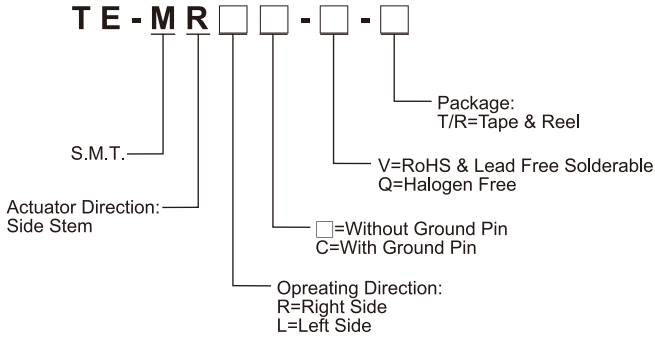
**APPLICATION**

- ※Close/open detection
- ※White goods
- ※Automotive

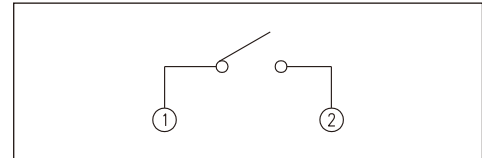
**SPECIFICATION**

Contact Rating	50mA, 20V DC
Contact Resistance	1Ω max.
Insulation Resistance	100MΩ min. 100V DC
Dielectric Strength	100V AC/1 minute
Operating Force	50gf max.
Travel	2.15mm
Operating Life	100,000 cycles
Operating Temp.	-10°C ~ +60°C
Storage Temp.	-20°C ~ +70°C

**HOW TO ORDER**



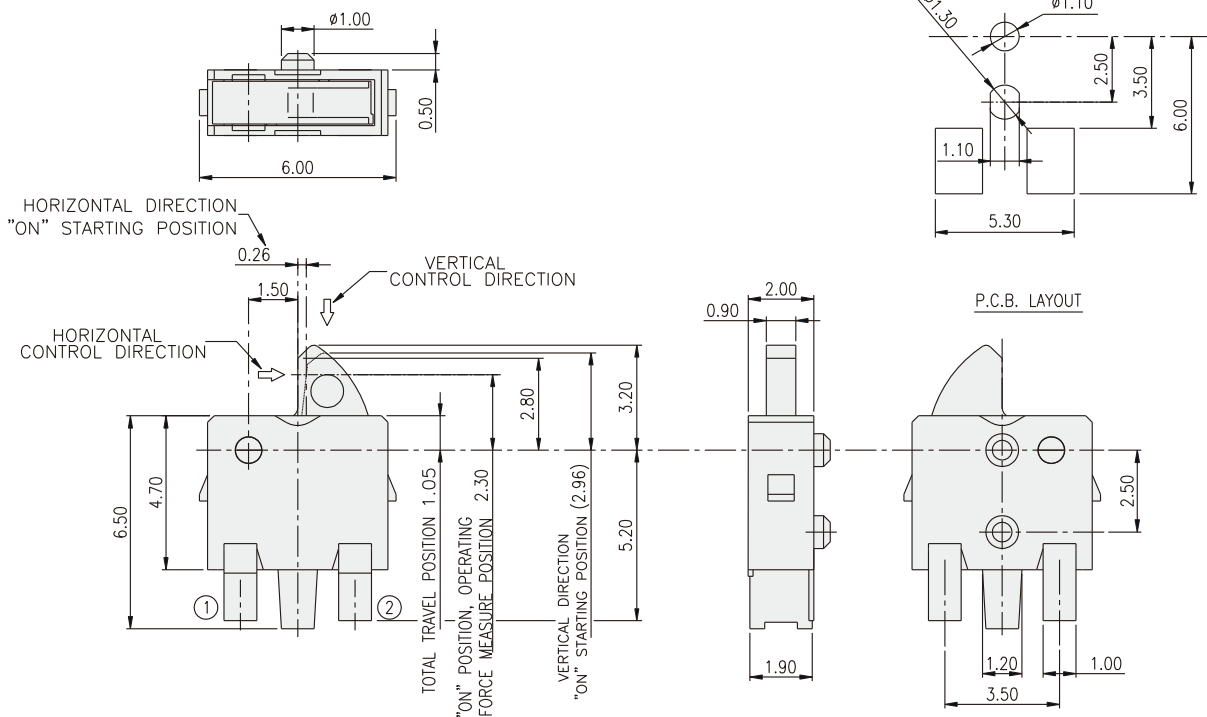
**CIRCUIT**



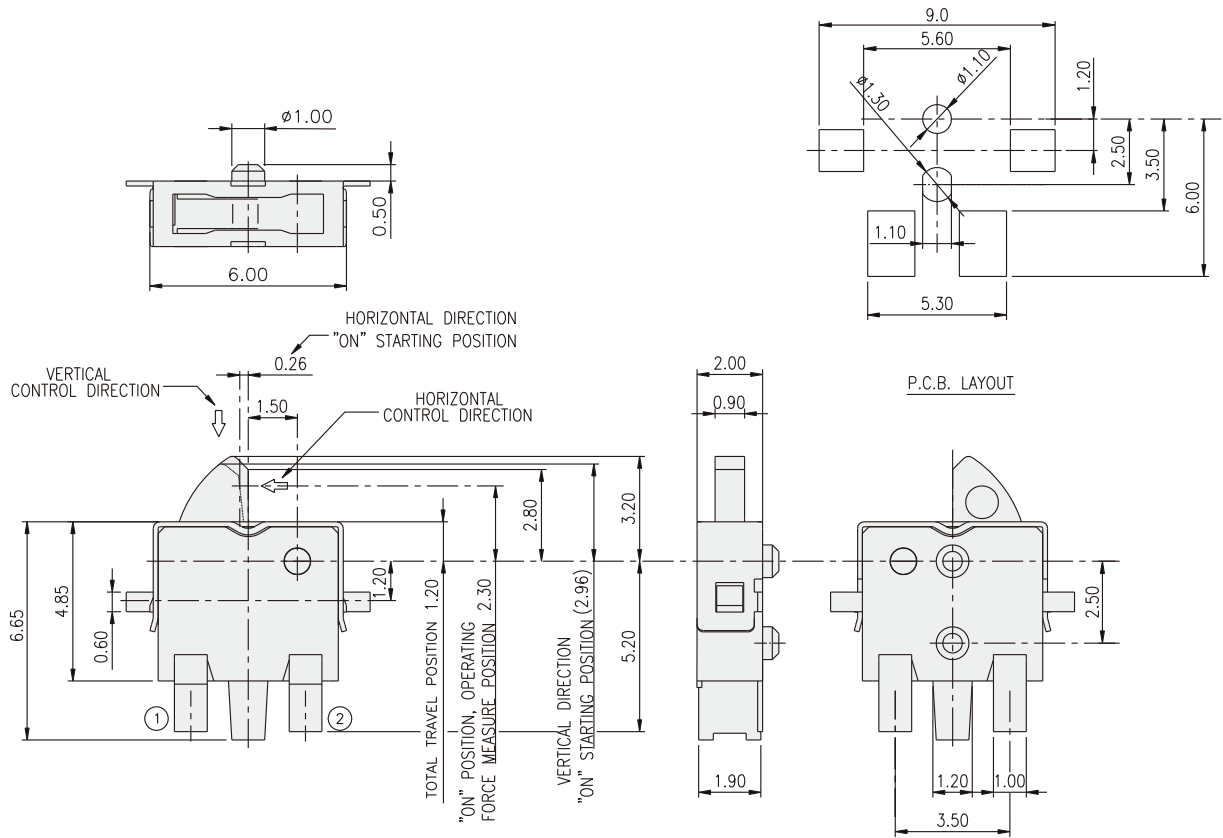
**PACKAGE**

<Tape & Reel>  
TE-MR□: 3000 pcs  
TE-MR□C: 2000 pcs

**TE-MRR**



TE-MRLC



DETECTOR SWITCH