

FEATURES

- ※ Compact-sized 4.4x4.4mm
- ※ Low profile of 0.55mm height
- ※ Long operating life

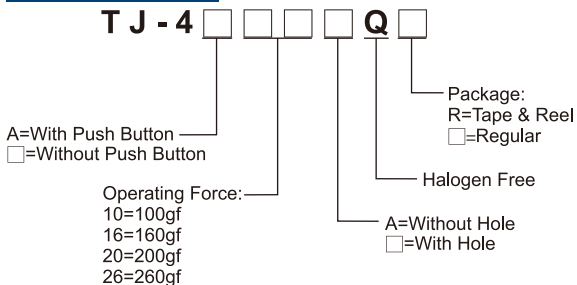
APPLICATION

- ※ Smart phone
- ※ Digital camera, Medical
- ※ Portable electronic device

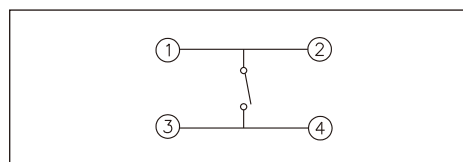
SPECIFICATION

| | |
|-----------------------|--|
| Contact Rating | 50mA, 12V DC |
| Contact Resistance | 100mΩ max. |
| Insulation Resistance | 100MΩ min. 500V DC |
| Dielectric Strength | 300V AC/1 minute |
| Operating Force | 100±50gf/160±50gf/200±50gf 260±50gf |
| Travel | 0.2mm |
| Operating Life | 500,000 cycles for 260/200gf 1,000,000 cycles for 160/100gf |
| Operating Temp. | -20°C ~ +70°C |
| Storage Temp. | -30°C ~ +80°C |

HOW TO ORDER



CIRCUIT

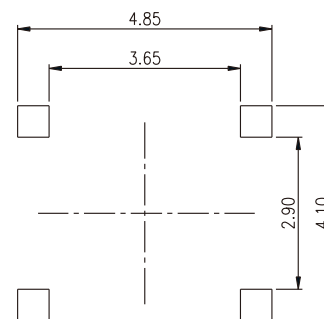
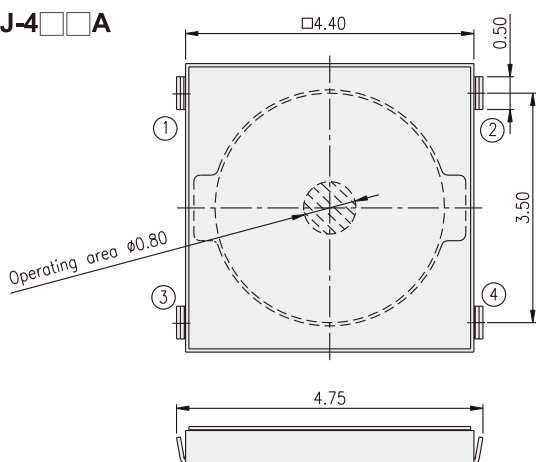


PACKAGE

<Tape & Reel>
TJ-4: 8000 pcs

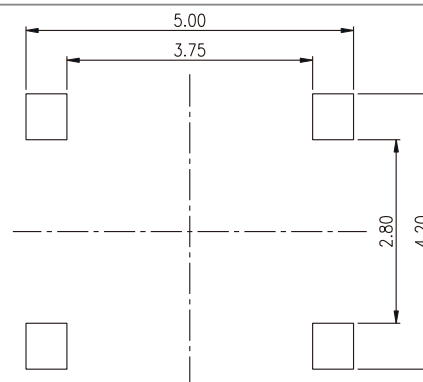
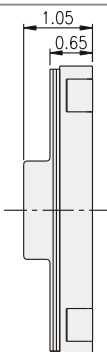
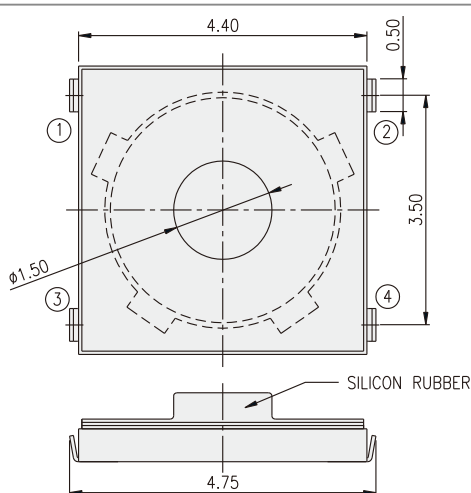
TACT SWITCH

TJ-4 **A**



P.C.B. LAYOUT

TJ-4A



P.C.B. LAYOUT