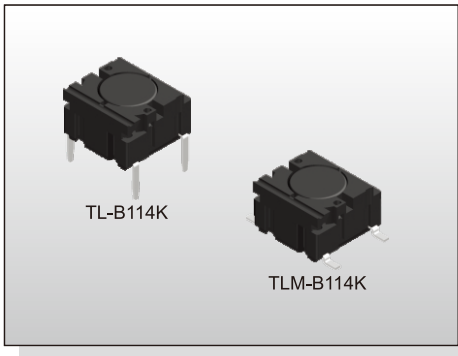


TACT SWITCH  
**TL( )-B1 SERIES**

**10x10**  
**High Reliability**



**FEATURES**

- ✘ Sealed
- ✘ Long life of 10million
- ✘ Variety of actuator lengths

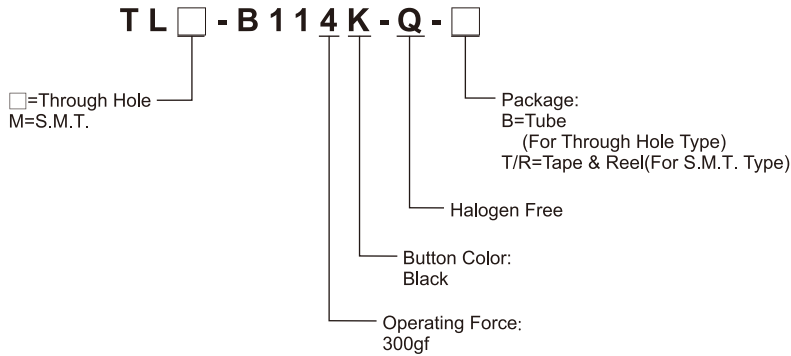
**APPLICATION**

- ✘ Music instrument
- ✘ Intercom system
- ✘ Industrial

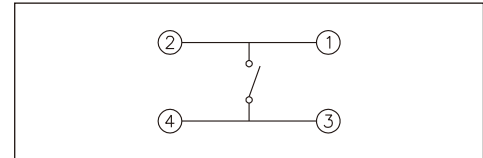
**SPECIFICATION**

Contact Rating	0.5~50mA, 24V DC
Contact Resistance	30mΩ max.
Insulation Resistance	10MΩ min. 100V DC
Dielectric Strength	250V AC/1 minute
Operating Force	300±75gf
Travel	1mm
Operating Life	10,000, 000 cycles
Operating Temp.	-40°C ~ +160°C
Storage Temp.	-40°C ~ +160°C

**HOW TO ORDER**



**CIRCUIT**

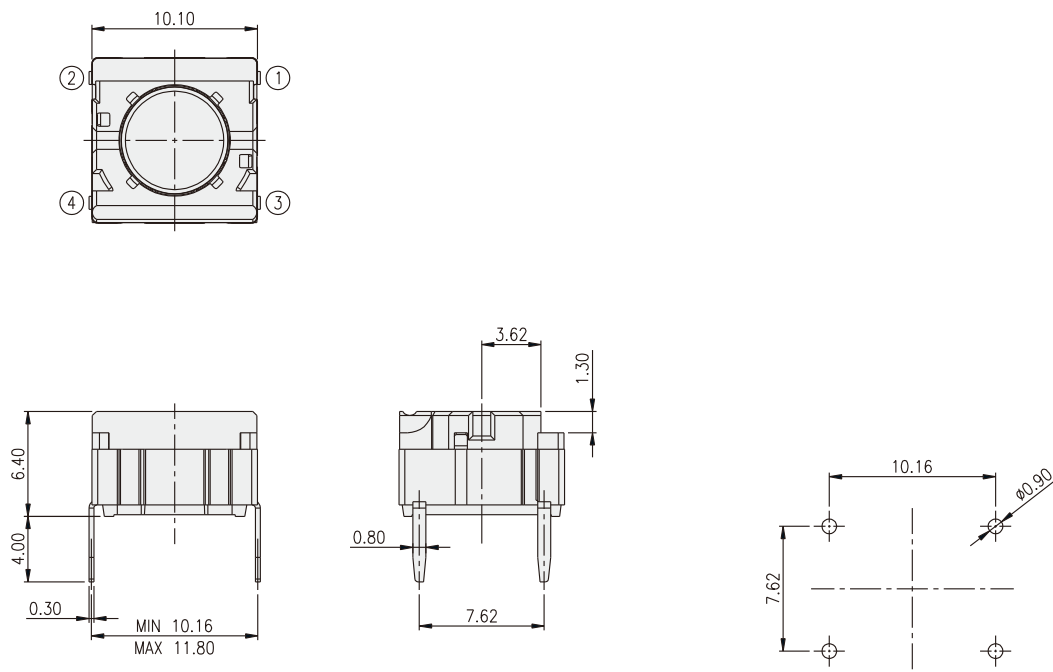


**PACKAGE**

<Tube>  
TL: 45 pcs  
<Tape & Reel>  
TLM: 650 pcs

TACT SWITCH

**TL-B114K**

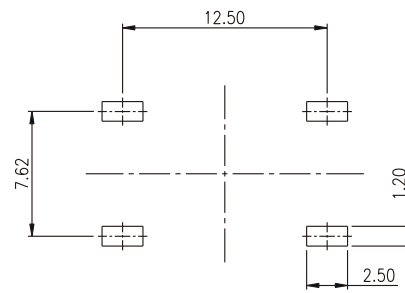
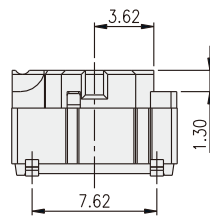
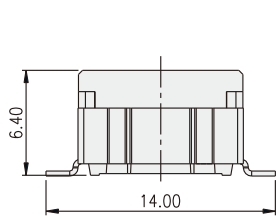
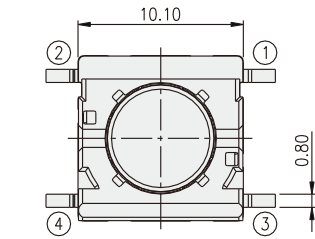


TACT SWITCH  
**TL( )-B1 SERIES**

**10x10**  
**High Reliability**



**TLM-B114K**



P.C.B. LAYOUT

TACT SWITCH