

带灯轻触开关

带灯按钮开关

按钮开关

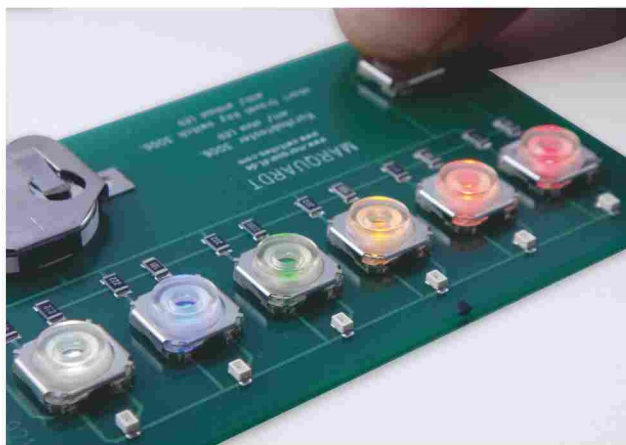
金属按钮开关

翘板开关

保险丝座

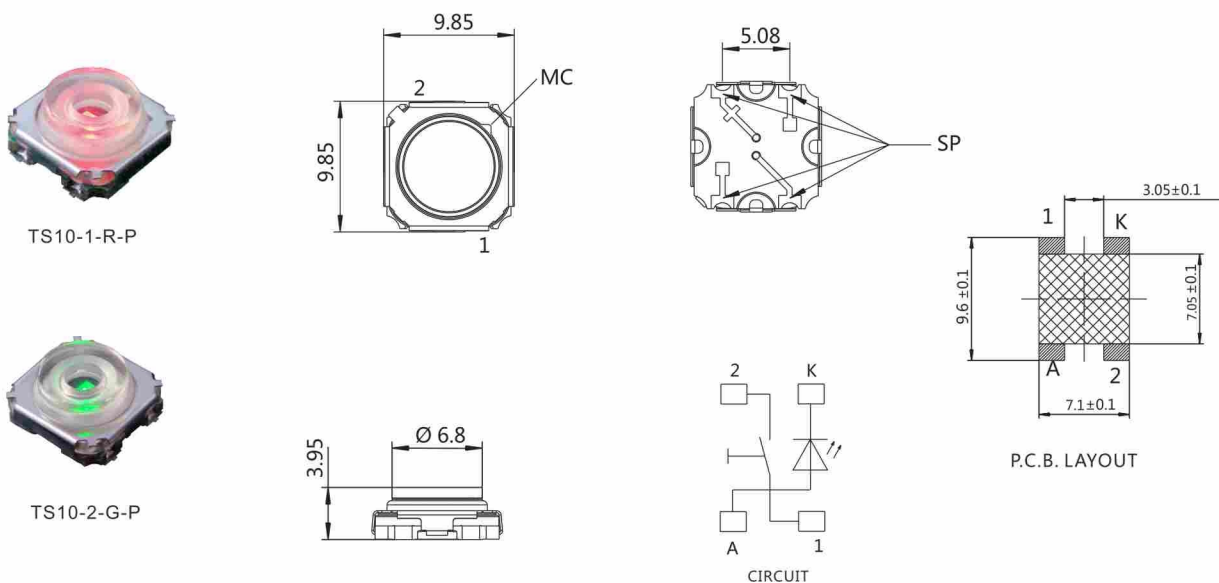
光电触摸开关

旋转开关



SPECIFICATIONS

Circuit	:SPST with LED
Current Rating	:50mA
Voltage Rating	:28VDC
Dielectric withstanding voltage	:250VAC for 1 minute
Contact Resistance	:100mΩ Max. (initial DC5V 1mA)
Insulation Resistance	:500MΩ Min.
Operating Force	:500±150gf
Total Travel	:1.2±0.3mm
Operating Force	:500,000 Cycles Min
Solder Specifications	:260°C for 3 Seconds
Function	:Momentary
Operating Temperature	:-40°C~+95°C



TS10	1	R	S
Model 型号	Operating Force 操作力	LED Color 灯颜色	Terminal shape 端子形状
	1 400gf 2 600gf	N Without LED R Red 红灯 Y Yellow 黄灯 G Green 绿灯 U Blue 蓝灯 W White 白灯 O Orange 橘灯 R/G Red/Green 红绿灯 R/U Red/Blue 红蓝灯	S DIP P SMT