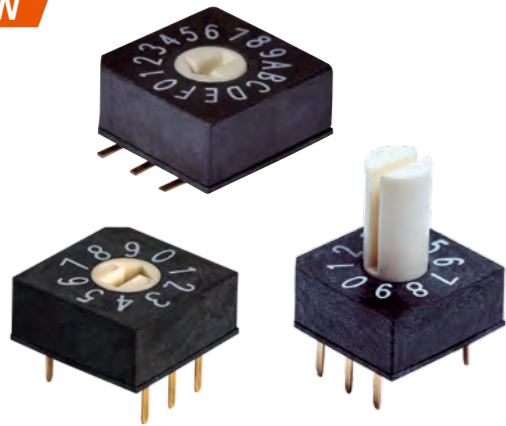


ROTARY DIP SWITCH 10x10 Size, Height: 4.5mm, 3x3 Terminal

NEW

U
UA
Series

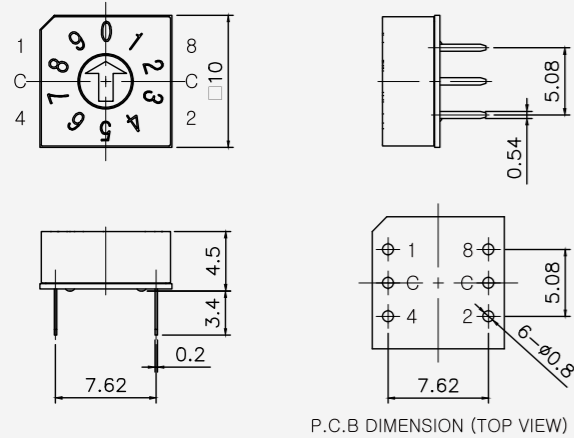


General Specification

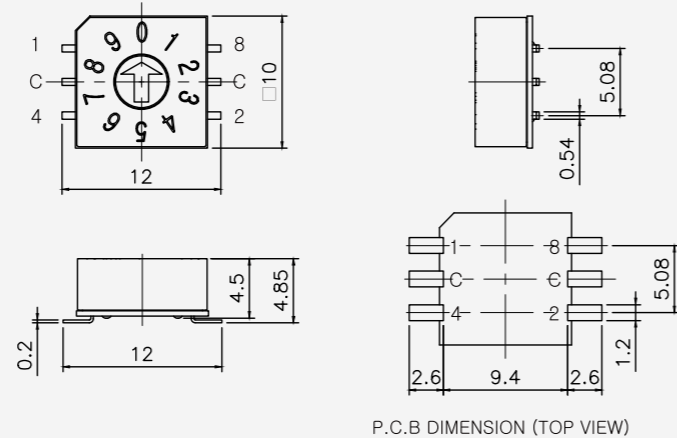
- Rating :** 25mA, 12V DC (Switching)
25mA, 24V DC (None-Switching)
- Contact Resistance :** 100mΩ Max.
- Insulation Resistance :** 100MΩ Min at DC 250V
- Operating Force :** 700gf Max.
- Life Cycle :** 10,000 steps
- Sealing :** IP67 (Dust & Water proof)

GENERAL DIMENSION

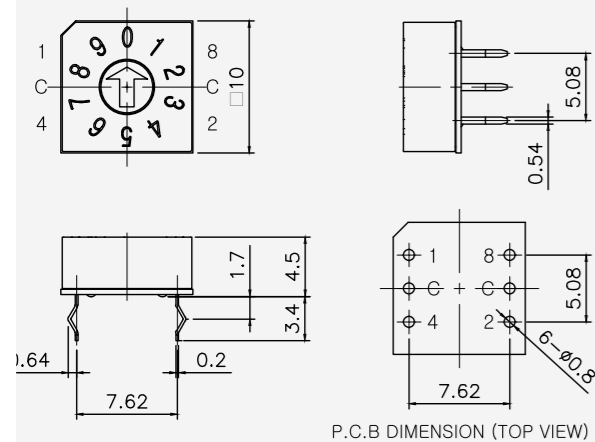
Through Hole Type Layout



SMD Gull Wing Type Layout



Climped Type Layout

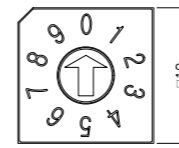


ROTARY DIP SWITCH 10x10 Size, Height: 4.5mm, 3x3 Terminal

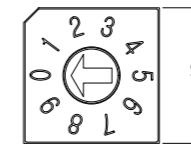
HOW TO ORDER

U	D	R	-	10	S	TR
Cover Type	Actuator	Code		Position	Terminal	Packing
U Square (Ter' 3x3) Position of Number 0 = 0° UA Square (Ter' 3x3) Position of Number 0 = -90°	D Arrow (Height = 0mm) E Cross (Height = 0mm) M Slotted spindle (Height = 3.2mm) S Slotted spindle (Height = 7.3mm)	R Real Code C Complement Code G Gray Code *Other special codes are available upon the request.		04 4 Position 06 6 Position 08 8 Position 10 10 Position 16 16 Position	- Through-Hole (Ter' 3x3) S SMD Gull Wing (Ter' 3x3) K Crimped	- Tube Packing TR Reel Packing

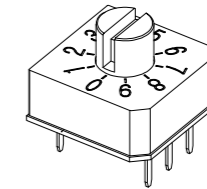
1. Cover Type



U Type

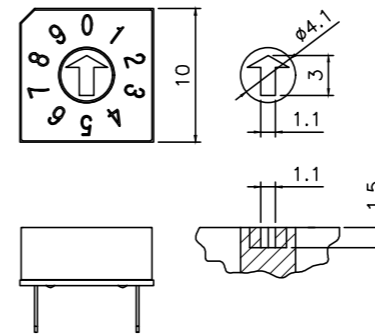


UA Type

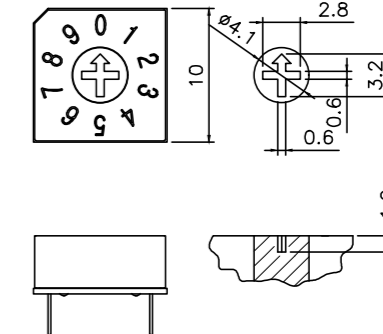


2. Actuator

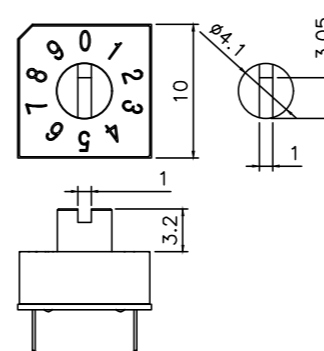
D Arrow (Height = 0mm)



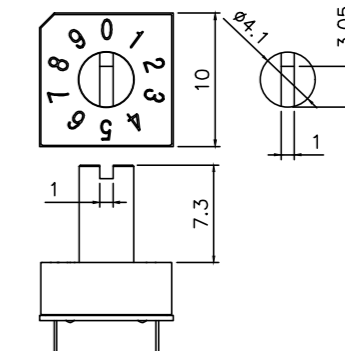
E Cross (Height = 0mm)



M Slotted Spindle Height = 3.2mm



S Slotted spindle (Height = 7.3mm)



ROTARY DIP SWITCH 10x10 Size, Height: 4.5mm, 3x3 Terminal

3. Code & Position

R Real Code

C Complement Code

G Gray Code

04 POSITION		Real Code				
		C	1	2	4	8
0						0
1						1
2						2
3						3
4						4
5						5
6						6
7						7
8						8
9						9
10						A
11						B
12						C
13						D
14						E
15						F

04 POSITION		Complement Code				
		C	1	2	4	8
0						0
1						1
2						2
3						3
4						4
5						5
6						6
7						7
8						8
9						9
10						A
11						B
12						C
13						D
14						E
15						F

10 POSITION		Gray Code				
		C	1	2	4	8
0						0
1						1
2						2
3						3
4						4
5						5
6						6
7						7
8						8
9						9

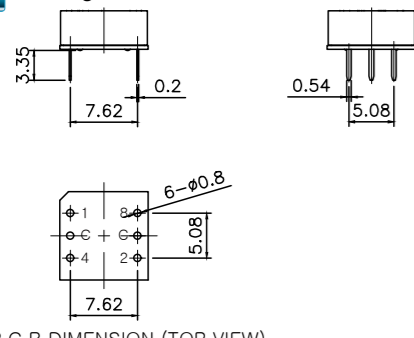
16 POSITION		Gray Code				
		C	1	2	4	8
0						0
1						1
2						2
3						3
4						4
5						5
6						6
7						7
8						8
9						9
10						A
11						B
12						C
13						D
14						E
15						F

* See page 30 for special codes.

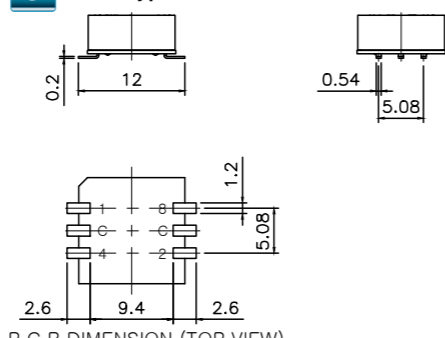
4. Terminal

T Through-Hole (Ter' 3x3)

S SMD Type (Ter' 3x3)

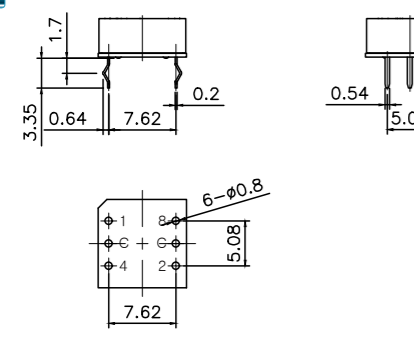


P.C.B DIMENSION (TOP VIEW)



P.C.B DIMENSION (TOP VIEW)

K Crimped (Ter' 3x3)

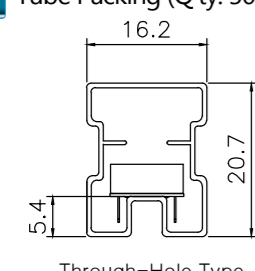


P.C.B DIMENSION (TOP VIEW)

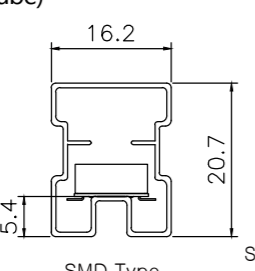
5. Packing

T Tube Packing (Q'ty: 50Pcs/Tube)

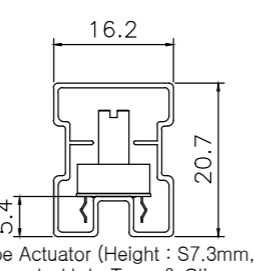
TR Tape Reel Packing



Through-Hole Type



SMD Type



S, M Type Actuator (Height : S7.3mm, M3.2mm)
Through-Hole Type & Crimped Type

Apply to only SMD types (See Page 31)

ROTARY DIP - U
 SLIDE SW
 DIP SW
 PUSH SW
 TACT SW
 LED MODULE
 www.sungrun.com
 26