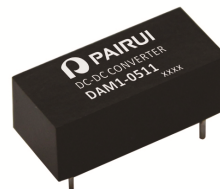


DAM-1 SERIES, 1WATT, 1KVDC, ISOLATED, UNREGULATED

FEATURES:

- ✓ 1000Vdc isolation voltage
- ✓ Single, dual and isolated twin output models
- ✓ High efficiency, and low ripple & noise
- ✓ Operating temperature range -40°C to +85°C
- ✓ 3 year warranty



Model	Input voltage (Vdc)	Output voltage (Vdc)	Output current (mA)		Efficiency Typ.
			Min.	Max.	
DAM1-0310	3.3(3.0~3.6)	3.3	30	300	72%
DAM1-0311		5	20	200	74%
DAM1-0312		9	11.1	111	72%
DAM1-0313		12	8.3	83	72%
DAM1-0314		15	6.7	67	72%
DAM1-0510	5(4.5~5.5)	3.3	30	300	70%
DAM1-0511		5	20	200	70%
DAM1-0512		9	11.1	111	78%
DAM1-0513		12	8.3	83	78%
DAM1-0514		15	6.7	67	80%
DAM1-0515		24	4.1	42	81%
DAM1-0521		±5	10	100	72%
DAM1-0522		±9	5.6	56	78%
DAM1-0523		±12	4.2	42	79%
DAM1-0524		±15	3.3	33	79%
DAM1-0501		5, 5	10	100	70%
DAM1-0502		9, 9	5.6	56	76%
DAM1-0503		12, 12	4.2	42	77%
DAM1-0504		15, 15	3.3	33	78%
DAM1-1210		12(10.8~13.2)	3.3	30	300
DAM1-1211	5		20	200	71%
DAM1-1212	9		11.1	111	76%
DAM1-1213	12		8.3	83	78%
DAM1-1214	15		6.7	67	79%
DAM1-1215	24		4.2	42	78%
DAM1-1221	±5		10	100	72%
DAM1-1222	±9		5.6	56	78%
DAM1-1223	±12		4.2	42	79%


DAM-1 SERIES, 1WATT, 1KVDC, ISOLATED, UNREGULATED

Model	Input voltage (Vdc)	Output voltage (Vdc)	Output current (mA)		Efficiency Typ.
			Min.	Max.	
DAM1-1224	12(10.8~13.2)	±15	3.3	33	78%
DAM1-1201		5, 5	10	100	72%
DAM1-1202		9, 9	5.6	56	78%
DAM1-1203		12, 12	4.2	42	78%
DAM1-1204		15, 15	3.3	33	80%
DAM1-1511	15(13.5~16.5)	5	20	200	79%
DAM1-1514		15	6.7	67	79%
DAM1-2410	24(21.6~26.4)	3.3	30	300	72%
DAM1-2411		5	20	200	73%
DAM1-2412		9	11.1	111	78%
DAM1-2413		12	8.3	83	78%
DAM1-2414		15	6.7	67	79%
DAM1-2415		24	4.1	42	81%
DAM1-2421		±5	10	100	72%
DAM1-2422		±9	5.6	56	79%
DAM1-2423		±12	4.2	42	80%
DAM1-2424		±15	3.3	33	80%
DAM1-2401		5, 5	10	100	71%
DAM1-2402		9, 9	5.6	56	74%
DAM1-2403		12, 12	4.2	42	76%
DAM1-2404		15, 15	3.3	33	76%

Notes: Other input and output models may available on request.

ELECTRICAL

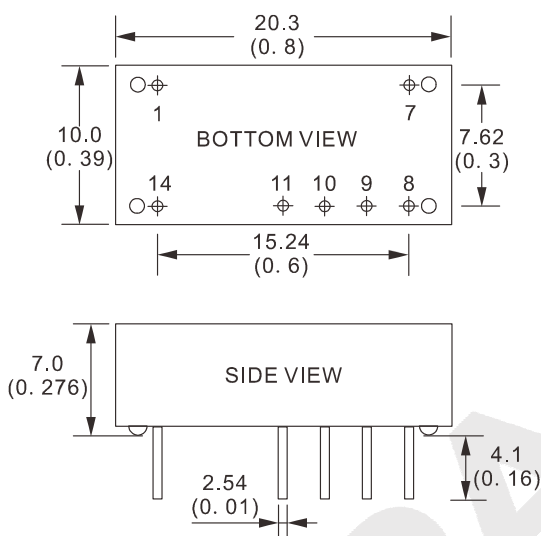
Line regulation	---	1.2% max.
Load regulation	10% ~ 100% full load	15% max.
Isolation voltage	Leakage current < 1mA/1min.	1000Vdc min.
Isolation resistance	Test at 500VDC	1000mΩ min.
Switching frequency	---	100KHz typ.
Ripple & noise	Band width 20MHz	150mVp-p max.
Temperature coefficient	Rated load	±0.03%/°C
Operating temperature range	---	-40°C to +85°C
Storage temperature range	---	-55°C to +125°C
Short circuit protection	---	1S
MTBF	---	3500KHrs
Weight	---	2.5g

DAM-1 SERIES, 1WATT, 1KVDC, ISOLATED, UNREGULATED

ELECTRICAL

Notes: All the parameters are measured at 25°C ambient temperature, humidity < 75%, nominal input voltage, full load and after warm-up, unless otherwise specified.

MECHANICAL



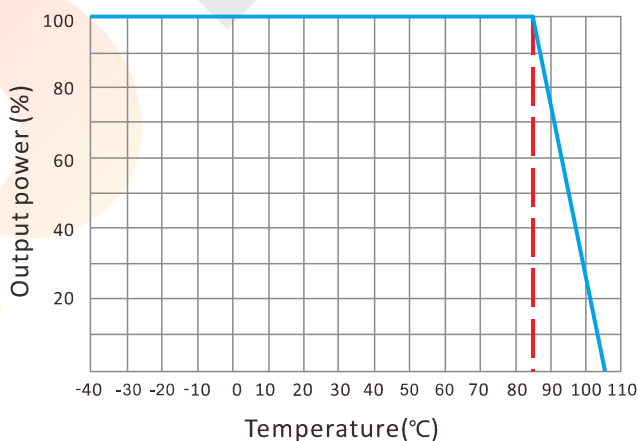
CONNECTION

PIN #	SINGLE	DUAL	ISOLATED
			TWIN
1	GND	GND	GND
7	NC	NC	NC
8	0V	0V	+Vo2
9	+Vo	+Vo	0V2
10	No Pin	No Pin	+Vo1
11	No Pin	-Vo	0V1
14	+Vin	+Vin	+Vin

Note:

* Unit is mm(inch).

ELECTRICAL CURVE

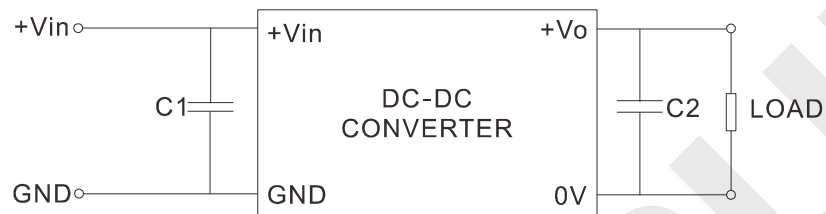


DAM-1 SERIES, 1WATT, 1KVDC, ISOLATED, UNREGULATED

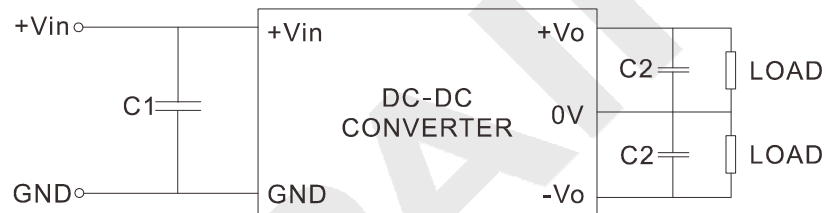
NOTE

RECOMMENDED TEST AND APPLICATION CIRCUIT

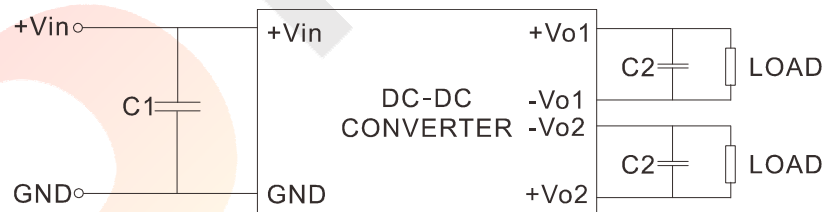
SINGLE OUTPUT



DUAL OUTPUT



TWIN ISOLATED OUTPUT



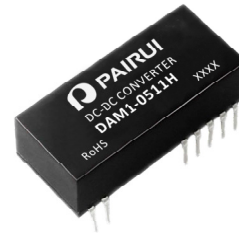
CAPACITOR SELECTION

INPUT VOLTAGE	C1	SINGLE OUTPUT	C2	DUAL OUTPUT	C2	ISOLATED TWIN OUTPUT	C2
3.3VDC	4.7 μ F	3.3VDC	10 μ F	\pm 5VDC	4.7 μ F	5, 5VDC	4.7 μ F
5VDC	4.7 μ F	5VDC	10 μ F	\pm 9VDC	2.2 μ F	9, 9VDC	2.2 μ F
12VDC	2.2 μ F	9VDC	4.7 μ F	\pm 12VDC	1.0 μ F	12, 12VDC	1.0 μ F
15VDC	1.0 μ F	12VDC	2.2 μ F	\pm 15VDC	0.47 μ F	15, 15VDC	0.47 μ F
24VDC	1.0 μ F	15VDC	1.0 μ F	\pm 24VDC	0.47 μ F	24, 24VDC	0.47 μ F
--	--	24VDC	0.47 μ F	--	--	--	--

DAM-1H SERIES, 1WATT, 6KVDC, ISOLATED, UNREGULATED

FEATURES:

- ✓ 6000Vdc isolation voltage
- ✓ Single and dual output models
- ✓ High efficiency, and low ripple & noise
- ✓ Operating temperature range -40°C to +85°C
- ✓ 3 year warranty



Model	Input voltage (Vdc)	Output voltage (Vdc)	Output current (mA)		Efficiency Typ.
			Min.	Max.	
DAM1-0511H	5(4.5~5.5)	5	20	200	68%
DAM1-0512H		9	11.1	111	74%
DAM1-0513H		12	8.3	83	68%
DAM1-0514H		15	6.7	67	68%
DAM1-0521H		±5	10	100	70%
DAM1-0522H		±9	5.6	56	71%
DAM1-0523H		±12	4.2	42	68%
DAM1-0524H		±15	3.3	33	72%
DAM1-1211H	12(10.8~13.2)	5	20	200	70%
DAM1-1212H		9	11.1	111	71%
DAM1-1213H		12	8.3	83	74%
DAM1-1214H		15	6.7	67	74%
DAM1-1221H		±5	10	100	70%
DAM1-1222H		±9	5.6	56	70%
DAM1-1223H		±12	4.2	42	70%
DAM1-1224H		±15	3.3	33	69%
DAM1-1511H	15(13.5~16.5)	5	20	200	70%
DAM1-1512H		9	11.1	111	72%
DAM1-1513H		12	8.3	83	72%
DAM1-1514H		15	6.7	67	68%
DAM1-1521H		±5	10	100	70%
DAM1-1522H		±9	5.6	56	72%
DAM1-1523H		±12	4.2	42	72%
DAM1-1524H		±15	3.3	33	70%

DAM-1H SERIES, 1WATT, 6KVDC, ISOLATED, UNREGULATED

Model	Input voltage (Vdc)	Output voltage (Vdc)	Output current (mA)		Efficiency Typ.
			Min.	Max.	
DAM1-2411H	24(21.6~26.4)	5	20	200	64%
DAM1-2412H		9	11.1	111	68%
DAM1-2413H		12	8.3	83	73%
DAM1-2414H		15	6.7	67	73%
DAM1-2421H		±5	10	100	71%
DAM1-2422H		±9	5.6	56	71%
DAM1-2423H		±12	4.2	42	72%
DAM1-2424H		±15	3.3	33	70%

Notes: Other input and output models may available on request.

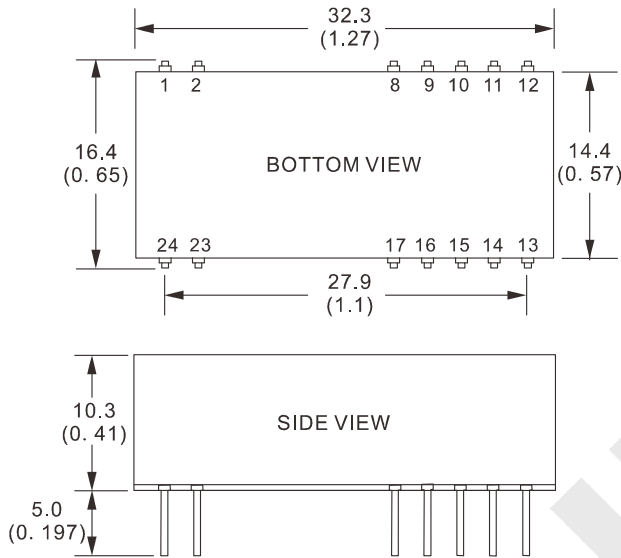
ELECTRICAL

Line regulation	---	1.5% max.
Load regulation	10% ~ 100% full load	15% max.
Isolation voltage	Leakage current < 1mA/1min.	6000Vdc min.
Isolation resistance	Test at 500VDC	1000mΩ min.
Switching frequency	---	100KHz typ.
Ripple & noise	Bend width 20MHz	150mVp-p max.
Temperature coefficient	Rated load	±0.03%/°C
Operating temperature range	---	-40°C to +85°C
Storage temperature range	---	-55°C to +125°C
Short circuit protection	---	Continuours, auto recovery
MTBF	---	3500KHrs
Weight	---	8.2g

Notes: All the parameters are measured at 25°C ambient temperature, humidity < 75%, nominal input voltage, full load and after warm-up, unless otherwise specified.

DAM-1H SERIES, 1WATT, 6KVDC, ISOLATED, UNREGULATED

MECHANICAL



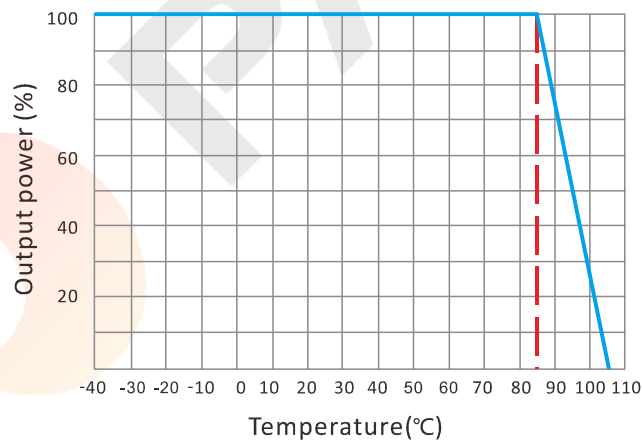
CONNECTION

PIN #	SINGLE	DUAL
1	+Vin	+Vin
2	GND	GND
8, 17	NC	-Vo
10, 15	0V	0V
12, 13	+Vo	+Vo
9, 11	NC	NC
14, 16	NC	NC
23, 24	NC	NC

Note:

* Unit is mm(inch).

ELECTRICAL CURVE

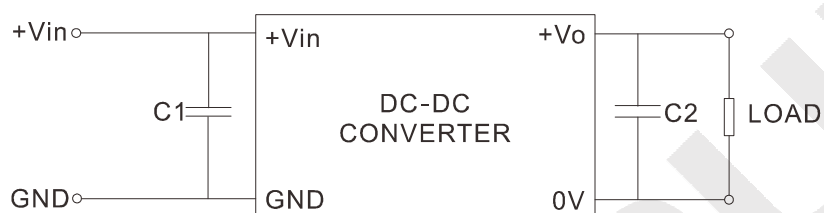


DAM-1H SERIES, 1WATT, 6KVDC, ISOLATED, UNREGULATED

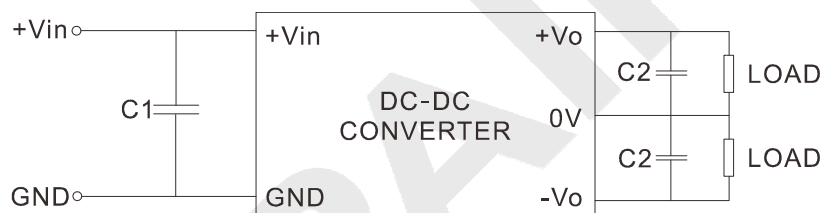
NOTE

RECOMMENDED TEST AND APPLICATION CIRCUIT

SINGLE OUTPUT



DUAL OUTPUT



CAPACITOR SELECTION

INPUT VOLTAGE	C1	SINGLE OUTPUT	C2	DUAL OUTPUT	C2
5VDC	4.7 μ F	5VDC	10 μ F	\pm 5VDC	4.7 μ F
12VDC	2.2 μ F	9VDC	4.7 μ F	\pm 9VDC	2.2 μ F
15VDC	1.0 μ F	12VDC	2.2 μ F	\pm 12VDC	1.0 μ F
24VDC(Single)	1.0 μ F	15VDC	1.0 μ F	\pm 15VDC	1.0 μ F
24VDC(Dual)	0.47 μ F	24VDC	1.0 μ F	--	--

DAM-2 SERIES, 2WATT, 1KVDC, ISOLATED, UNREGULATED
FEATURES:

- ✓ 1000Vdc isolation voltage
- ✓ Single, dual and isolated twin output models
- ✓ High efficiency, and low ripple & noise
- ✓ Operating temperature range -40°C to +85°C
- ✓ 3 year warranty



Model	Input voltage (Vdc)	Output voltage (Vdc)	Output current (mA)		Efficiency Typ.
			Min.	Max.	
DAM2-0510	5(4.5~5.5)	3.3	40	400	74%
DAM2-0511		5	40	400	81%
DAM2-0512		9	22.2	222	84%
DAM2-0513		12	16.6	166	83%
DAM2-0514		15	13.3	133	84%
DAM2-0515		24	8.3	83	80%
DAM2-0521		±5	20	200	82%
DAM2-0522		±9	11.1	111	85%
DAM2-0523		±12	8.3	83	86%
DAM2-0524		±15	6.7	67	82%
DAM2-1211	12(10.8~13.2)	5	40	400	81%
DAM2-1212		9	22.2	222	82%
DAM2-1213		12	16.6	166	85%
DAM2-1214		15	13.3	133	82%
DAM2-1215		24	8.3	83	87%
DAM2-1221		±5	20	200	81%
DAM2-1222		±9	11.1	111	84%
DAM2-1223		±12	8.3	83	86%
DAM2-1224		±15	6.7	67	82%
DAM2-2411		24(21.6~26.4)	5	40	400
DAM2-2412	9		22.2	222	83%
DAM2-2413	12		16.6	166	84%
DAM2-2414	15		13.3	133	84%
DAM2-2415	24		8.3	83	84%
DAM2-2421	±5		20	200	80%
DAM2-2422	±9		11.1	111	84%
DAM2-2423	±12		8.3	83	84%
DAM2-2424	±15		6.7	67	84%

Notes: Other input and output models may available on request.

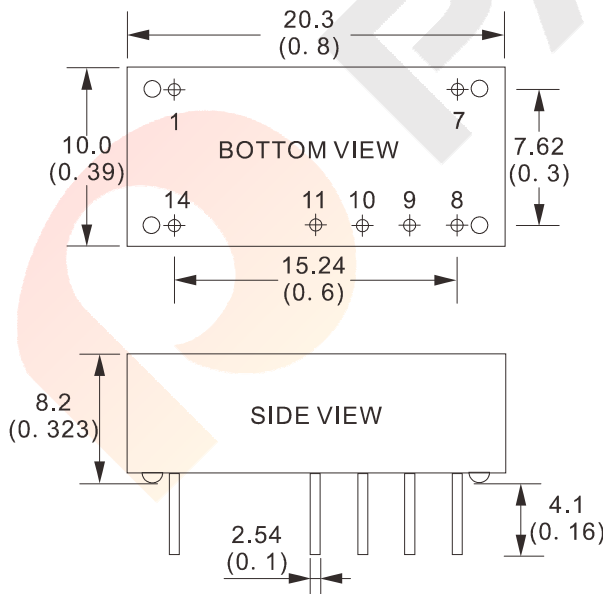
DAM-2 SERIES, 2WATT, 1KVDC, ISOLATED, UNREGULATED

ELECTRICAL

Line regulation	---	1.2% max.
Load regulation	10% ~ 100% full load	15% max.
Isolation voltage	Leakage current < 1mA/1min.	1000Vdc min.
Isolation resistance	Test at 500VDC	1000mΩ min.
Switching frequency	---	100KHz typ.
Ripple & noise	Bend width 20MHz	150mVp-p max.
Temperature coefficient	Rated load	±0.03%/°C
Operating temperature range	---	-40°C to +85°C
Storage temperature range	---	-55°C to +125°C
Short circuit protection	---	1S
MTBF	---	3500KHrs
Weight	---	2.5g

Notes: All the parameters are measured at 25°C ambient temperature, humidity < 75%, nominal input voltage, full load and after warm-up, unless otherwise specified.

MECHANICAL



CONNECTION

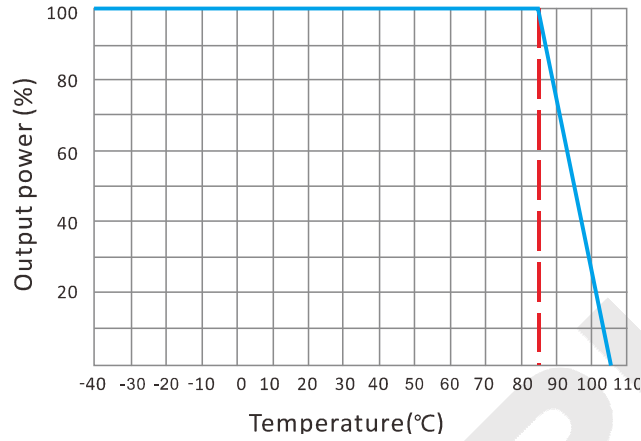
PIN #	ISOLATED		
	SINGLE	DUAL	TWIN
1	GND	GND	GND
7	NC	NC	NC
8	0V	0V	+Vo2
9	+Vo	+Vo	0V2
10	No Pin	No Pin	+Vo1
11	-Vo	No Pin	0V1
14	+Vin	+Vin	+Vin

Note:

* Unit is mm(inch).

DAM-2 SERIES, 2WATT, 1KVDC, ISOLATED, UNREGULATED

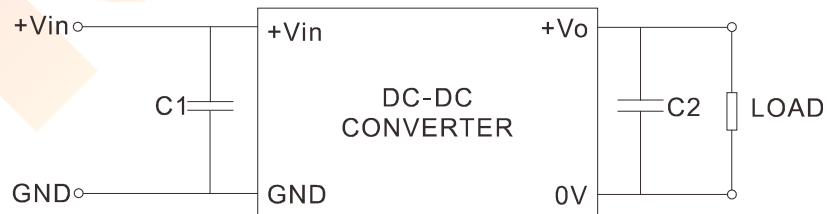
ELECTRICAL CURVE



NOTE

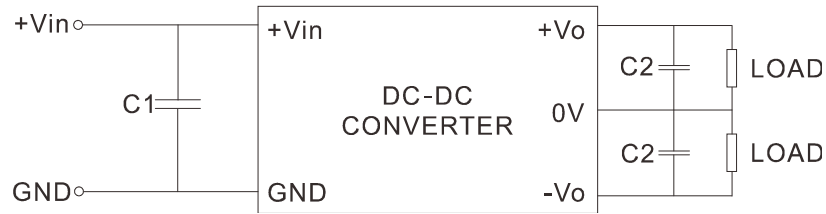
RECOMMENDED TEST AND APPLICATION CIRCUIT

SINGLE OUTPUT

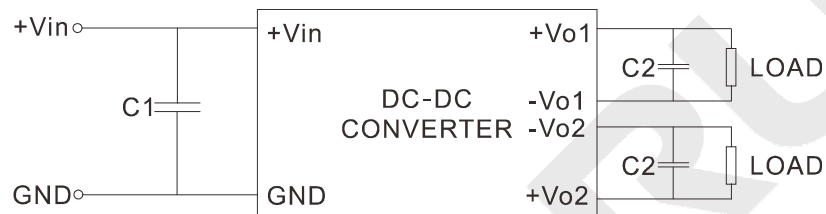


DUAL OUTPUT

DAM-2 SERIES, 2WATT, 1KVDC, ISOLATED, UNREGULATED



TWIN ISOLATED OUTPUT



CAPACITOR SELECTION

INPUT VOLTAGE	C1	SINGLE OUTPUT	C2	DUAL OUTPUT	C2	ISOLATED TWIN OUTPUT	C2
5VDC	4.7 μ F	3.3VDC	10 μ F	\pm 5VDC	4.7 μ F	5, 5VDC	4.7 μ F
12VDC	2.2 μ F	5VDC	10 μ F	\pm 9VDC	2.2 μ F	9, 9VDC	2.2 μ F
24VDC	1.0 μ F	9VDC	4.7 μ F	\pm 12VDC	1.0 μ F	12, 12VDC	1.0 μ F
--	--	12VDC	2.2 μ F	\pm 15VDC	0.47 μ F	15, 15VDC	0.47 μ F
--	--	15VDC	1.0 μ F	--	--	--	--
--	--	24VDC	0.47 μ F	--	--	--	--

DAM-2F SERIES, 2WATT, 3KVDC, ISOLATED, UNREGULATED
FEATURES:

- ✓ 3000Vdc isolation voltage
- ✓ Single and dual output models
- ✓ High efficiency, and low ripple & noise
- ✓ Operating temperature range -40°C to +85°C
- ✓ 3 year warranty



Model	Input voltage (Vdc)	Output voltage (Vdc)	Output current (mA)		Efficiency Typ.
			Min.	Max.	
DAM2-0511F	5(4.5~5.5)	5	40	400	72%
DAM2-0512F		9	22.2	222	76%
DAM2-0513F		12	16.6	166	79%
DAM2-0514F		15	13.3	133	78%
DAM2-0515F		24	8.3	83	79%
DAM2-0521F		±5	20	200	81%
DAM2-0522F		±9	11.1	111	82%
DAM2-0523F		±12	8.3	83	82%
DAM2-0524F		±15	6.7	67	80%
DAM2-0525F		±24	4.2	42	80%
DAM2-1211F	12(10.8~13.2)	5	40	400	71%
DAM2-1212F		9	22.2	222	76%
DAM2-1213F		12	16.6	166	78%
DAM2-1214F		15	13.3	133	79%
DAM2-1215F		24	8.3	83	78%
DAM2-1221F		±5	20	200	80%
DAM2-1222F		±9	11.1	111	80%
DAM2-1223F		±12	8.3	83	80%
DAM2-1224F		±15	6.7	67	81%
DAM2-1225F		±24	4.2	42	82%
DAM2-1511F	15(13.5~16.5)	5	40	400	78%
DAM2-1512F		9	22.2	222	78%
DAM2-1513F		12	16.6	166	78%
DAM2-1514F		15	13.3	133	78%
DAM2-1515F		24	8.3	83	80%
DAM2-1521F		±5	20	200	81%
DAM2-1522F		±9	11.1	111	81%
DAM2-1523F		±12	8.3	83	82%
DAM2-1524F		±15	6.7	67	83%
DAM2-1525F		±24	4.2	42	83%



DAM-2F SERIES, 2WATT, 3KVDC, ISOLATED, UNREGULATED

Model	Input voltage (Vdc)	Output voltage (Vdc)	Output current (mA)		Efficiency Typ.
			Min.	Max.	
DAM2-2411F	24(21.6~26.4)	5	40	400	73%
DAM2-2412F		9	22.2	222	78%
DAM2-2413F		12	16.6	166	78%
DAM2-2414F		15	13.3	133	79%
DAM2-2415F		24	8.3	83	81%
DAM2-2421F		±5	20	200	81%
DAM2-2422F		±9	11.1	111	82%
DAM2-2423F		±12	8.3	83	80%
DAM2-2424F		±15	6.7	67	83%
DAM2-2425F		±24	4.2	42	83%

Notes: Other input and output models may available on request.

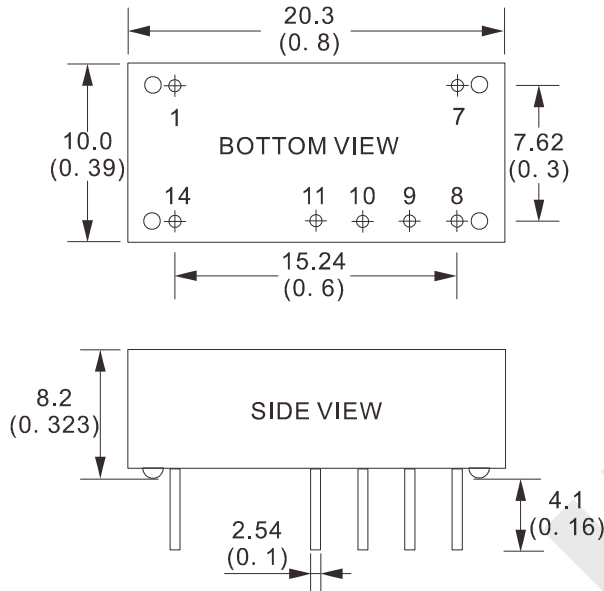
ELECTRICAL

Line regulation	---	1.2% max.
Load regulation	10% ~ 100% full load	15% max.
Isolation voltage	Leakage current < 1mA/1min.	3000Vdc min.
Isolation resistance	Test at 500VDC	1000mΩ min.
Switching frequency	---	100KHz typ.
Ripple & noise	Bend width 20MHz	100mVp-p max.
Temperature coefficient	Rated load	±0.03%/°C
Operating temperature range	---	-40°C to +85°C
Storage temperature range	---	-55°C to +125°C
Short circuit protection	---	1S
MTBF	---	3500KHrs
Weight	---	2.9g

Notes: All the parameters are measured at 25°C ambient temperature, humidity < 75%, nominal input voltage, full load and after warm-up, unless otherwise specified.

DAM-2F SERIES, 2WATT, 3KVDC, ISOLATED, UNREGULATED

MECHANICAL



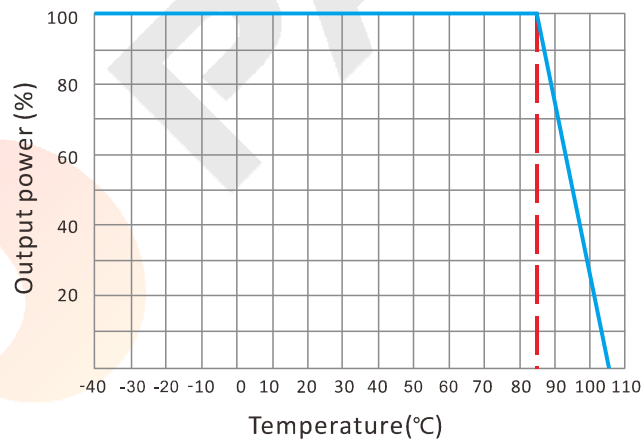
CONNECTION

PIN #	SINGLE	DUAL
1	GND	GND
7	NC	NC
8	+Vo	+Vo
9	No Pin	0V
10	0V	-Vo
11	No Pin	No Pin
14	+Vin	+Vin

Note:

* Unit is mm(inch).

ELECTRICAL CURVE

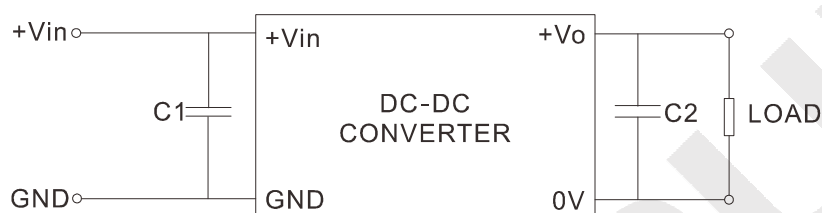


DAM-2F SERIES, 2WATT, 3KVDC, ISOLATED, UNREGULATED

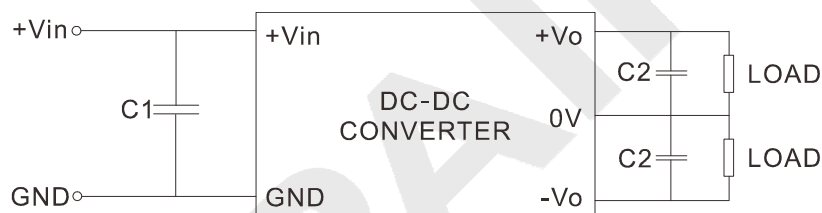
NOTE

RECOMMENDED TEST AND APPLICATION CIRCUIT

SINGLE OUTPUT



DUAL OUTPUT



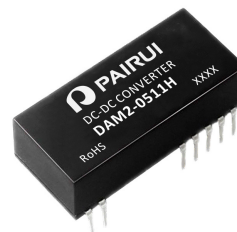
CAPACITOR SELECTION

INPUT VOLTAGE	C1	SINGLE OUTPUT	C2	DUAL OUTPUT	C2
5VDC	4.7 μ F	5VDC	10 μ F	\pm 5VDC	4.7 μ F
12VDC	2.2 μ F	9VDC	4.7 μ F	\pm 9VDC	2.2 μ F
15VDC	2.2 μ F	12VDC	2.2 μ F	\pm 12VDC	1.0 μ F
24VDC(Single)	1.0 μ F	15VDC	1.0 μ F	\pm 15VDC	1.0 μ F
24VDC(Dual)	0.47 μ F	24VDC	0.47 μ F	\pm 24VDC	0.47 μ F

DAM-2H SERIES, 2WATT, 6KVDC, ISOLATED, UNREGULATED

FEATURES:

- ✓ 6000Vdc isolation voltage
- ✓ Single and dual output models
- ✓ High efficiency, and low ripple & noise
- ✓ Operating temperature range -40°C to +85°C
- ✓ 3 year warranty



Model	Input voltage (Vdc)	Output voltage (Vdc)	Output current (mA)		Efficiency Typ.
			Min.	Max.	
DAM2-0511H	5(4.5~5.5)	5	40	400	74%
DAM2-0512H		9	22.2	222	76%
DAM2-0513H		12	16.7	167	76%
DAM2-0514H		15	13.3	133	77%
DAM2-0521H		±5	20	200	75%
DAM2-0522H		±9	11.1	111	76%
DAM2-0523H		±12	8.3	83	76%
DAM2-0524H		±15	6.7	67	76%
DAM2-1211H	12(10.8~13.2)	5	40	400	75%
DAM2-1212H		9	22.2	222	77%
DAM2-1213H		12	16.7	167	75%
DAM2-1214H		15	13.3	133	82%
DAM2-1221H		±5	20	200	73%
DAM2-1222H		±9	11.1	111	72%
DAM2-1223H		±12	8.3	83	79%
DAM2-1224H		±15	6.7	67	80%
DAM2-2411H	24(21.6~26.4)	5	40	400	75%
DAM2-2412H		9	22.2	222	77%
DAM2-2413H		12	16.7	167	78%
DAM2-2414H		15	13.3	133	81%
DAM2-2421H		±5	20	200	75%
DAM2-2422H		±9	11.1	111	78%
DAM2-2423H		±12	8.3	83	79%
DAM2-2424H		±15	6.7	67	79%

Notes: Other input and output models may available on request.

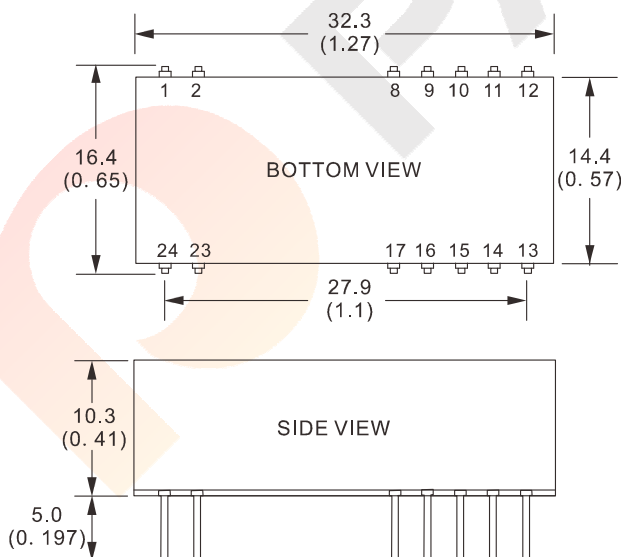
DAM-2H SERIES, 2WATT, 6KVDC, ISOLATED, UNREGULATED

ELECTRICAL

Line regulation	---	1.5% max.
Load regulation	10% ~ 100% full load	15% max.
Isolation voltage	Leakage current < 1mA/1min.	6000Vdc min.
Isolation resistance	Test at 500VDC	1000mΩ min.
Switching frequency	---	100KHz typ.
Ripple & noise	Bend width 20MHz	150mVp-p max.
Temperature coefficient	Rated load	±0.03%/°C
Operating temperature range	---	-40°C to +85°C
Storage temperature range	---	-55°C to +125°C
Short circuit protection	---	Continuours, auto recovery
MTBF	---	3500KHrs
Weight	---	8.2g

Notes: All the parameters are measured at 25°C ambient temperature, humidity < 75%, nominal input voltage, full load and after warm-up, unless otherwise specified.

MECHANICAL



CONNECTION

PIN #	SINGLE	DUAL
1	+Vin	+Vin
2	GND	GND
8, 17	NC	-Vo
10, 15	0V	0V
12, 13	+Vo	+Vo
9, 11	NC	NC
14, 16	NC	NC
23, 24	NC	NC

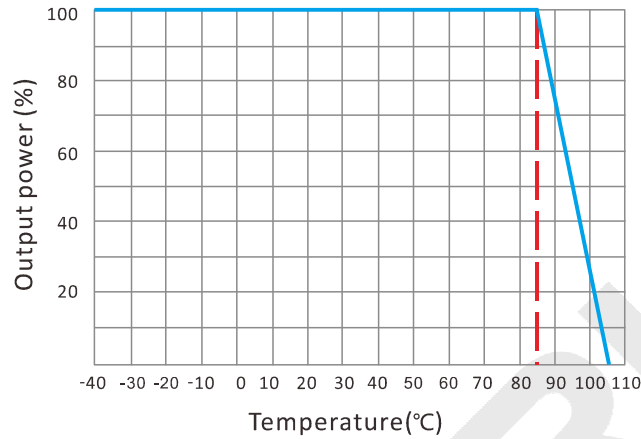
Note:

* Unit is mm(inch).



DAM-2H SERIES, 2WATT, 6KVDC, ISOLATED, UNREGULATED

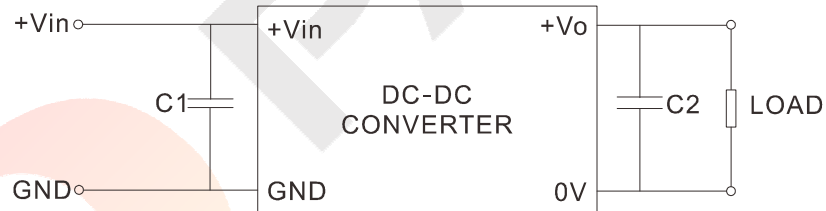
ELECTRICAL CURVE



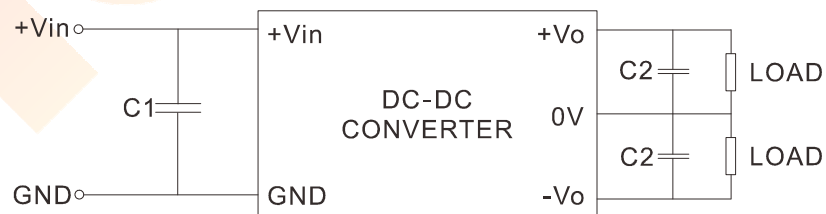
NOTE

RECOMMENDED TEST AND APPLICATION CIRCUIT

SINGLE OUTPUT



DUAL OUTPUT



DAM-2H SERIES, 2WATT, 6KVDC, ISOLATED, UNREGULATED

NOTE

CAPACITOR SELECTION

INPUT VOLTAGE	C1	SINGLE OUTPUT	C2	DUAL OUTPUT	C2
5VDC	4.7 μ F	5VDC	4.7 μ F	\pm 5VDC	4.7 μ F
12VDC	2.2 μ F	9VDC	2.2 μ F	\pm 9VDC	2.2 μ F
24VDC	1.0 μ F	12VDC	1.0 μ F	\pm 12VDC	1.0 μ F
--	--	15VDC	1.0 μ F	\pm 15VDC	1.0 μ F

DAN-1 SERIES, 1WATT, 1.5KVDC, ISOLATED, REGULATED

FEATURES:

- ✓ 1500Vdc isolation voltage
- ✓ Single output models
- ✓ Low ripple & noise
- ✓ Operating temperature range -40°C to +85°C
- ✓ 3 year warranty



Model	Input voltage (Vdc)	Output voltage (Vdc)	Output current (mA)		Efficiency Typ.
			Min.	Max.	
DAN1-0511	5(4.75~5.25)	5	20	200	71%
DAN1-0512		9	11.1	111	60%
DAN1-0513		12	8.3	83	64%
DAN1-0514		15	6.7	67	65%
DAN1-0515		24	4.2	42	62%
DAN1-1211	12(11.4~12.6)	5	20	200	72%
DAN1-1212		9	11.1	111	67%
DAN1-1213		12	8.3	83	65%
DAN1-1214		15	6.7	67	64%
DAN1-1215		24	4.2	42	66%
DAN1-1511	15(13.5~16.5)	5	20	200	70%
DAN1-1512		9	11.1	111	65%
DAN1-1513		12	8.3	83	65%
DAN1-1514		15	6.7	67	66%
DAN1-1515		24	4.2	42	66%
DAN1-2411	24(22.8~25.2)	5	20	200	65%
DAN1-2412		9	11.1	111	63%
DAN1-2413		12	8.3	83	63%
DAN1-2414		15	6.7	67	63%
DAN1-2415		24	4.2	42	65%

Notes: Other input and output models may available on request.

ELECTRICAL

Output voltage accuracy	---	±3% max
Line regulation	---	±0.25% max.
Load regulation	10% ~ 100% full load	±1% max.
Isolation voltage	Leakage current < 1mA/1min.	1500Vdc min.
Isolation resistance	Test at 500VDC	1000mΩ min.
Switching frequency	---	100KHz typ.
Ripple & noise	Bend width 20MHz	60mVp-p max.

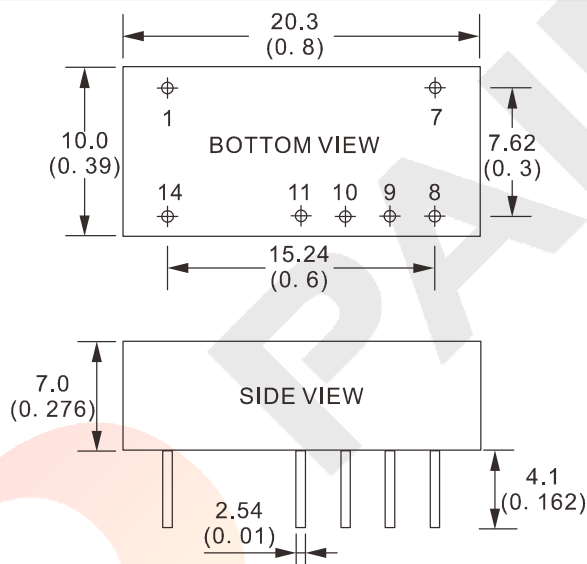
DAN-1 SERIES, 1WATT, 1.5KVDC, ISOLATED, REGULATED

ELECTRICAL

Temperature coefficient	Rated load	$\pm 0.03\%/^{\circ}\text{C}$
Operating temperature range	---	-40°C to +85°C
Storage temperature range	---	-55°C to +125°C
Short circuit protection	---	1S
MTBF	---	3500KHrs
Weight	---	2.5g

Notes: All the parameters are measured at 25°C ambient temperature, humidity < 75%, nominal input voltage, full load and after warm-up, unless otherwise specified.

MECHANICAL



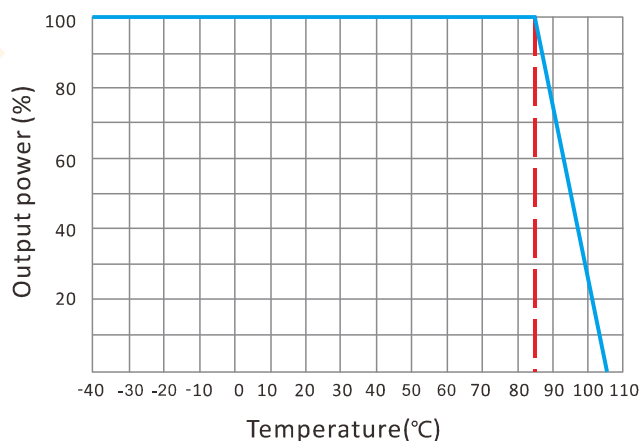
CONNECTION

PIN #	SINGLE
1	GND
7	NC
8	No Pin
9	+Vo
10	No Pin
11	0V
14	+Vin

Note:

* Unit is mm(inch).

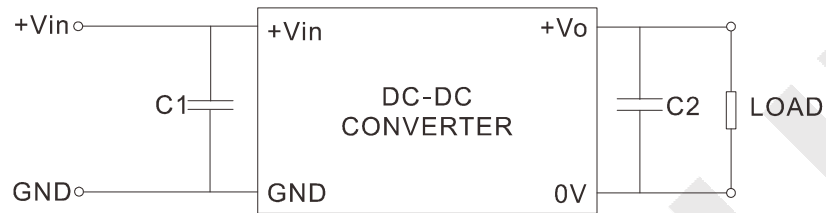
ELECTRICAL CURVE



DAN-1 SERIES, 1WATT, 1.5KVDC, ISOLATED, REGULATED

NOTE

RECOMMENDED TEST AND APPLICATION CIRCUIT



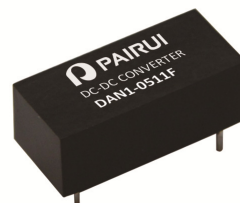
CAPACITOR SELECTION

INPUT VOLTAGE	C1	OUTPUT VOLTAGE	C2
5VDC	4.7 μ F	5VDC	4.7 μ F
12VDC	2.2 μ F	9VDC	2.2 μ F
15VDC	1.0 μ F	12VDC	1.0 μ F
24VDC	0.47 μ F	15VDC/24VDC	0.47 μ F

DAN-1F SERIES, 1WATT, 3KVDC, ISOLATED, REGULATED

FEATURES:

- ✓ 3000Vdc isolation voltage
- ✓ Single output models
- ✓ Low ripple & noise
- ✓ Operating temperature range -40°C to +85°C
- ✓ 3 year warranty



Model	Input voltage (Vdc)	Output voltage (Vdc)	Output current (mA)		Efficiency Typ.
			Min.	Max.	
DAN1-0511F	5(4.75~5.25)	5	20	200	66%
DAN1-0512F		9	11.1	111	70%
DAN1-0513F		12	8.3	83	72%
DAN1-0514F		15	6.7	67	73%
DAN1-1211F	12(11.4~12.6)	5	20	200	67%
DAN1-1212F		9	11.1	111	71%
DAN1-1213F		12	8.3	83	73%
DAN1-1214F		15	6.7	67	74%
DAN1-2411F	24(22.8~25.2)	5	20	200	67%
DAN1-2412F		9	11.1	111	72%
DAN1-2413F		12	8.3	83	73%
DAN1-2414F		15	6.7	67	74%

Notes: Other input and output models may available on request.

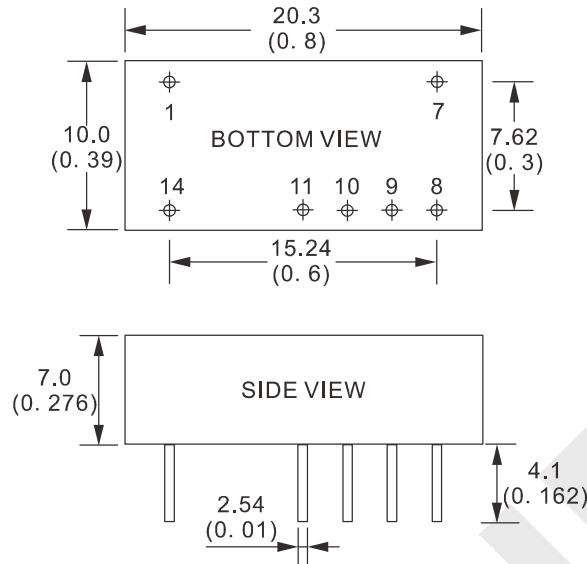
ELECTRICAL

Line regulation	---	±0.25% max.
Load regulation	10% ~ 100% full load	±1% max.
Isolation voltage	Leakage current < 1mA/1min.	3000Vdc min.
Isolation resistance	Test at 500VDC	1000mΩ min.
Switching frequency	---	75KHz typ.
Ripple & noise	Bend width 20MHz	150mVp-p max.
Temperature coefficient	Rated load	±0.03%/°C
Operating temperature range	---	-40°C to +85°C
Storage temperature range	---	-55°C to +125°C
Short circuit protection	---	1S
MTBF	---	3500KHrs
Weight	---	2.5g

Notes: All the parameters are measured at 25°C ambient temperature, humidity < 75%, nominal input voltage, full load and after warm-up, unless otherwise specified.

DAN-1F SERIES, 1WATT, 3KVDC, ISOLATED, REGULATED

MECHANICAL



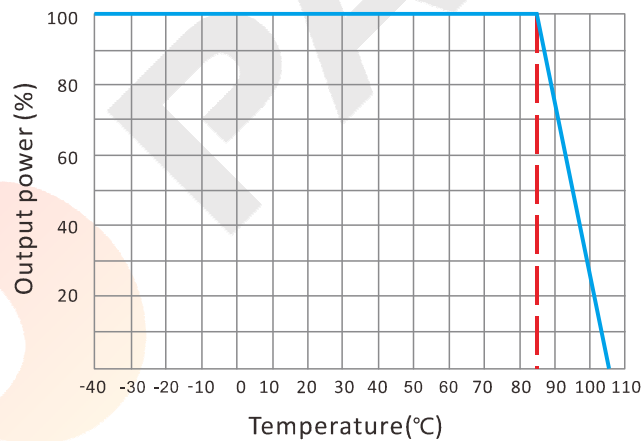
CONNECTION

PIN #	SINGLE
1	GND
7	NC
8	No Pin
9	+Vo
10	No Pin
11	0V
14	+Vin

Note:

* Unit is mm(inch).

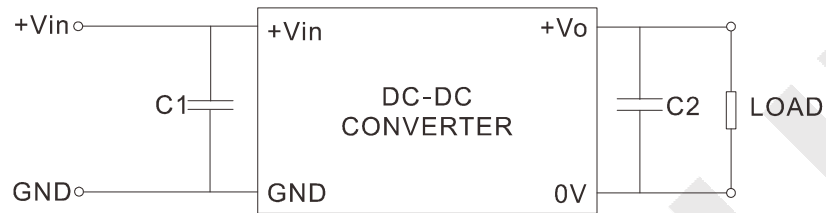
ELECTRICAL CURVE



DAN-1F SERIES, 1WATT, 3KVDC, ISOLATED, REGULATED

NOTE

RECOMMENDED TEST AND APPLICATION CIRCUIT



CAPACITOR SELECTION

INPUT VOLTAGE	C1	OUTPUT VOLTAGE	C2
5VDC	4.7 μ F	5VDC	10 μ F
12VDC	2.2 μ F	9VDC	4.7 μ F
24VDC	1.0 μ F	12VDC	2.2 μ F
--	--	15VDC	1.0 μ F

DAN-2 SERIES, 2WATT, 1.5KVDC, ISOLATED, REGULATED

FEATURES:

- ✓ 1500Vdc isolation voltage
- ✓ Single output models
- ✓ Low ripple & noise
- ✓ Operating temperature range -40°C to +85°C
- ✓ 3 year warranty



Model	Input voltage (Vdc)	Output voltage (Vdc)	Output current (mA)		Efficiency Typ.
			Min.	Max.	
DAN2-0511	5(4.75~5.25)	5	40	400	69%
DAN2-0512		9	22.2	222	69%
DAN2-0513		12	16.7	167	75%
DAN2-0514		15	13.3	133	65%
DAN2-0515		24	8.3	83	65%
DAN2-1211	12(11.4~12.6)	5	40	400	69%
DAN2-1212		9	22.2	222	66%
DAN2-1213		12	16.7	167	75%
DAN2-1214		15	13.3	133	72%
DAN2-1215		24	8.3	83	72%
DAN2-1511	15(13.5~16.5)	5	40	400	67%
DAN2-1512		9	22.2	222	70%
DAN2-1513		12	16.7	167	70%
DAN2-1514		15	13.3	133	68%
DAN2-1515		24	8.3	83	72%
DAN2-2411	24(22.8~25.2)	5	40	400	72%
DAN2-2412		9	22.2	222	75%
DAN2-2413		12	16.7	167	72%
DAN2-2414		15	13.3	133	70%
DAN2-2415		24	8.3	83	71%

Notes: Other input and output models may available on request.

ELECTRICAL

Output voltage accuracy	---	±3% max
Line regulation	---	±0.5% max.
Load regulation	10% ~ 100% full load	±1.5% max.
Isolation voltage	Leakage current < 1mA/1min.	1500Vdc min.
Isolation resistance	Test at 500VDC	1000mΩ min.
Switching frequency	---	100KHz typ.
Ripple & noise	Bend width 20MHz	75mVp-p max.

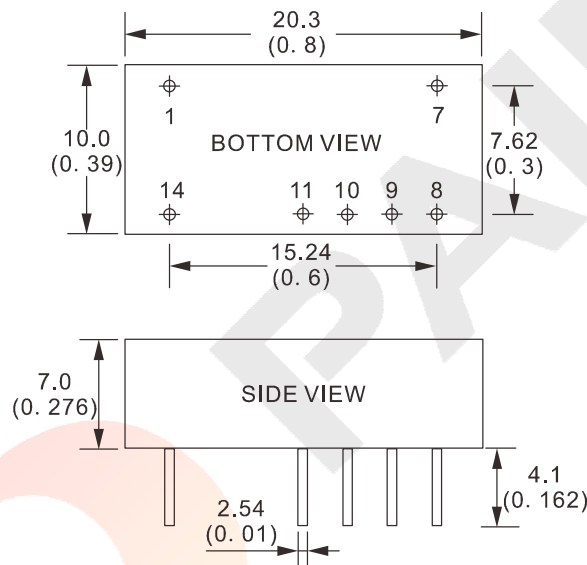
DAN-2 SERIES, 2WATT, 1.5KVDC, ISOLATED, REGULATED

ELECTRICAL

Temperature coefficient	Rated load	±0.03%/°C
Operating temperature range	---	-40°C to +85°C
Storage temperature range	---	-55°C to +125°C
Short circuit protection	---	1S
MTBF	---	3500KHrs
Weight	---	2.8g

Notes: All the parameters are measured at 25°C ambient temperature, humidity < 75%, nominal input voltage, full load and after warm-up, unless otherwise specified.

MECHANICAL

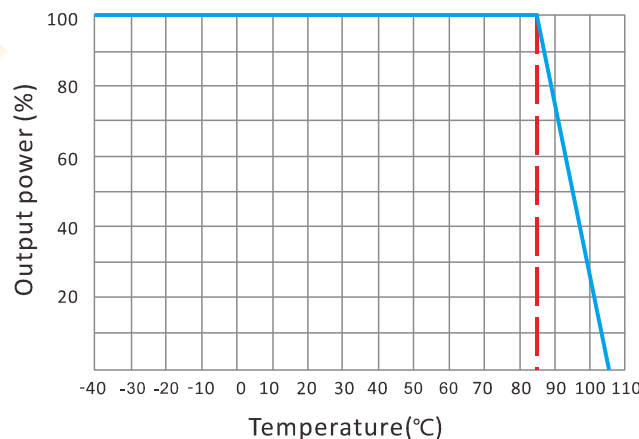


CONNECTION

PIN #	SINGLE
1	GND
7	NC
8	No Pin
9	+Vo
10	No Pin
11	0V
14	+Vin

Note:
* Unit is mm(inch).

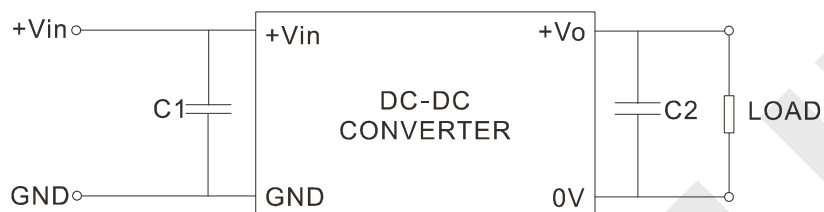
ELECTRICAL CURVE



DAN-2 SERIES, 2WATT, 1.5KVDC, ISOLATED, REGULATED

NOTE

RECOMMENDED TEST AND APPLICATION CIRCUIT



CAPACITOR SELECTION

INPUT VOLTAGE	C1	OUTPUT VOLTAGE	C2
5VDC	4.7 μ F	5VDC	4.7 μ F
12VDC	2.2 μ F	9VDC	4.7 μ F
15VDC	1.0 μ F	12VDC	2.2 μ F
24VDC	0.47 μ F	15VDC	1.0 μ F
--	--	24VDC	0.47 μ F

DAN-2F SERIES, 2WATT, 3KVDC, ISOLATED, REGULATED

FEATURES:

- ✓ 3000Vdc isolation voltage
- ✓ Single output models
- ✓ Low ripple & noise
- ✓ Operating temperature range -40°C to +85°C
- ✓ 3 year warranty



Model	Input voltage (Vdc)	Output voltage (Vdc)	Output current (mA)		Efficiency Typ.
			Min.	Max.	
DAN2-0511F	5(4.75~5.25)	5	40	400	69%
DAN2-0512F		9	22.2	222	69%
DAN2-0513F		12	16.7	167	75%
DAN2-0514F		15	13.3	133	65%
DAN2-0515F		24	8.3	83	65%
DAN2-1211F	12(11.4~12.6)	5	40	400	69%
DAN2-1212F		9	22.2	222	66%
DAN2-1213F		12	16.7	167	75%
DAN2-1214F		15	13.3	133	72%
DAN2-1215F		24	8.3	83	72%
DAN2-1511F	15(13.5~16.5)	5	40	400	67%
DAN2-1512F		9	22.2	222	70%
DAN2-1513F		12	16.7	167	70%
DAN2-1514F		15	13.3	133	68%
DAN2-1515F		24	8.3	83	72%
DAN2-2411F	24(22.8~25.2)	5	40	400	72%
DAN2-2412F		9	22.2	222	75%
DAN2-2413F		12	16.7	167	72%
DAN2-2414F		15	13.3	133	70%
DAN2-2415F		24	8.3	83	71%

Notes: Other input and output models may available on request.

ELECTRICAL

Output voltage accuracy	---	±3% max
Line regulation	---	±0.5% max.
Load regulation	10% ~ 100% full load	±1.5% max.
Isolation voltage	Leakage current < 1mA/1min.	3000Vdc min.
Isolation resistance	Test at 500VDC	1000mΩ min.
Switching frequency	---	100KHz typ.
Ripple & noise	Bend width 20MHz	75mVp-p max.

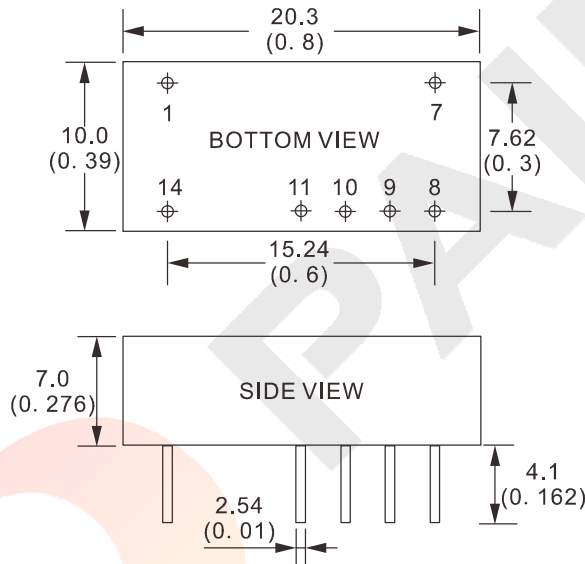
DAN-2F SERIES, 2WATT, 3KVDC, ISOLATED, REGULATED

ELECTRICAL

Temperature coefficient	Rated load	±0.03%/°C
Operating temperature range	---	-40°C to +85°C
Storage temperature range	---	-55°C to +125°C
Short circuit protection	---	1S
MTBF	---	3500KHrs
Weight	---	2.8g

Notes: All the parameters are measured at 25°C ambient temperature, humidity < 75%, nominal input voltage, full load and after warm-up, unless otherwise specified.

MECHANICAL

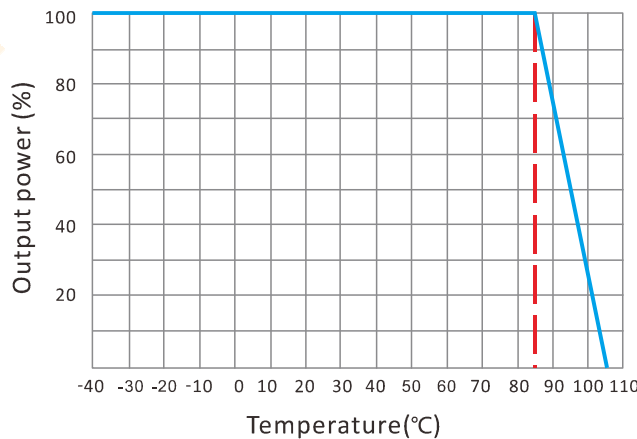


CONNECTION

PIN #	SINGLE
1	GND
7	NC
8	No Pin
9	+Vo
10	No Pin
11	0V
14	+Vin

Note:
* Unit is mm(inch).

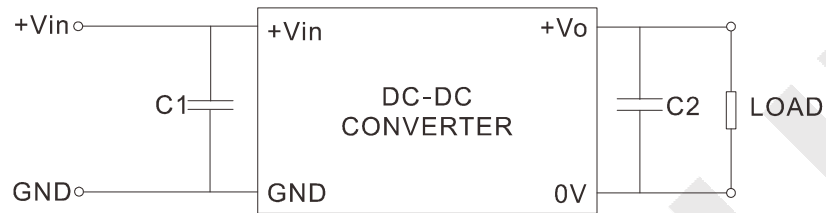
ELECTRICAL CURVE



DAN-2F SERIES, 2WATT, 3KVDC, ISOLATED, REGULATED

NOTE

RECOMMENDED TEST AND APPLICATION CIRCUIT



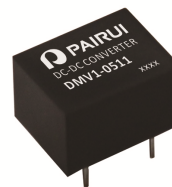
CAPACITOR SELECTION

INPUT VOLTAGE	C1	OUTPUT VOLTAGE	C2
5VDC	4.7 μ F	5VDC	4.7 μ F
12VDC	2.2 μ F	9VDC	4.7 μ F
15VDC	1.0 μ F	12VDC	2.2 μ F
24VDC	0.47 μ F	15VDC	1.0 μ F
--	--	24VDC	0.47 μ F

DMV-1 SERIES, 1WATT, 1KVDC, ISOLATED, UNREGULATED

FEATURES:

- ✓ 1000Vdc isolation voltage
- ✓ Single, dual and isolated twin output models
- ✓ High efficiency, and low ripple & noise
- ✓ Operating temperature range -40°C to +85°C
- ✓ 3 year warranty



Model	Input voltage (Vdc)	Output voltage (Vdc)	Output current (mA)		Efficiency Typ.
			Min.	Max.	
DMV1-0310	3.3(3.0~3.6)	3.3	30	300	76%
DMV1-0311		5	20	200	76%
DMV1-0312		9	11	111	76%
DMV1-0313		12	8.3	83	76%
DMV1-0314		15	6.7	67	76%
DMV1-0320		±3.3	15	150	74%
DMV1-0321		±5	10	100	76%
DMV1-0322		±9	5.6	56	78%
DMV1-0323		±12	4.2	42	78%
DMV1-0324		±15	3.3	33	78%
DMV1-0301		5, 5	10	100	79%
DMV1-0302		9, 9	5.6	56	79%
DMV1-0303		12, 12	4.2	42	78%
DMV1-0304		15, 15	3.3	33	78%
DMV1-0510	5(4.5~5.5)	3.3	30	300	76%
DMV1-0511		5	20	200	80%
DMV1-0512		9	11	111	80%
DMV1-0513		12	8.3	83	77%
DMV1-0514		15	6.7	67	78%
DMV1-0520		±3.3	15	150	74%
DMV1-0521		±5	10	100	80%
DMV1-0522		±9	5.6	56	80%
DMV1-0523		±12	4.2	42	79%
DMV1-0524		±15	3.3	33	79%
DMV1-0501		5, 5	10	100	80%
DMV1-0502		9, 9	5.6	56	80%
DMV1-0503		12, 12	4.2	42	80%
DMV1-0504		15, 15	3.3	33	79%



DMV-1 SERIES, 1WATT, 1KVDC, ISOLATED, UNREGULATED

Model	Input voltage (Vdc)	Output voltage (Vdc)	Output current (mA)		Efficiency Typ.	
			Min.	Max.		
DMV1-1210	12(10.8~13.2)	3.3	30	300	77%	
DMV1-1211		5	20	200	78%	
DMV1-1212		9	11	111	78%	
DMV1-1213		12	8.3	83	80%	
DMV1-1214		15	6.7	67	80%	
DMV1-1220		±3.3	15	150	76%	
DMV1-1221		±5	10	100	80%	
DMV1-1222		±9	5.6	56	77%	
DMV1-1223		±12	4.2	42	79%	
DMV1-1224		±15	3.3	33	79%	
DMV1-1201		5, 5	10	100	80%	
DMV1-1202		9, 9	5.6	56	77%	
DMV1-1203		12, 12	4.2	42	79%	
DMV1-1204		15, 15	3.3	33	79%	
DMV1-2410		24(21.6~26.4)	3.3	30	300	74%
DMV1-2411			5	20	200	70%
DMV1-2412	9		11	111	76%	
DMV1-2413	12		8.3	83	78%	
DMV1-2414	15		6.7	67	80%	
DMV1-2420	±3.3		15	150	70%	
DMV1-2421	±5		10	100	69%	
DMV1-2422	±9		5.6	56	74%	
DMV1-2423	±12		4.2	42	72%	
DMV1-2424	±15		3.3	33	72%	
DMV1-2401	5, 5		10	100	69%	
DMV1-2402	9, 9		5.6	56	74%	
DMV1-2403	12, 12		4.2	42	78%	
DMV1-2404	15, 15		3.3	33	78%	

Notes: Other input and output models may available on request.

ELECTRICAL		
Line regulation	---	1.5% max.
Load regulation	10% ~ 100% full load	15% max.
Isolation voltage	Leakage current < 1mA/1min.	1000Vdc min.
Isolation resistance	Test at 500VDC	1000mΩ min.
Switching frequency	---	100KHz typ.

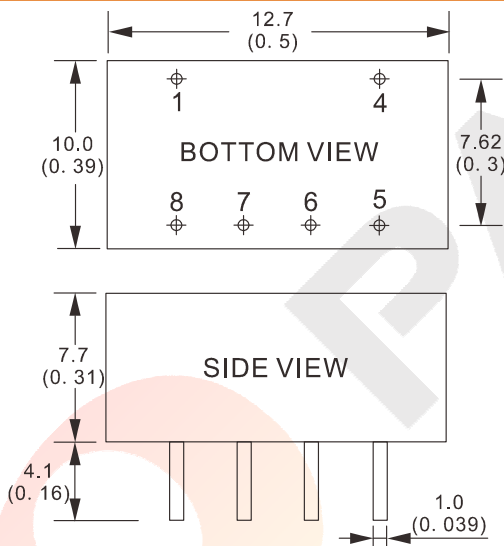
DMV-1 SERIES, 1WATT, 1KVDC, ISOLATED, UNREGULATED

ELECTRICAL

Ripple & noise	Bend width 20MHz	100mVp-p max.
Temperature coefficient	Rated load	±0.03%/°C
Operating temperature range	---	-40°C to +85°C
Storage temperature range	---	-55°C to +125°C
Short circuit protection	---	1S
MTBF	---	3500KHrs
Weight	---	1.3g

Notes: All the parameters are measured at 25°C ambient temperature, humidity < 75%, nominal input voltage, full load and after warm-up, unless otherwise specified.

MECHANICAL



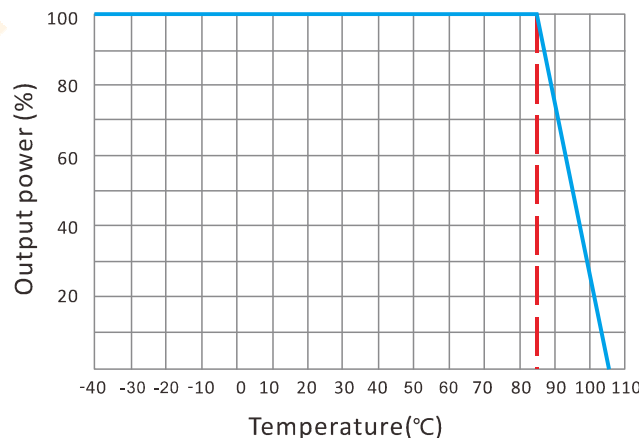
CONNECTION

PIN #	SINGLE	DUAL	ISOLATED TWIN
1	GND	GND	GND
4	+Vin	+Vin	+Vin
5	+Vo	+Vo	+Vo1
6	No Pin	No Pin	0V1
7	0V	0V	+Vo2
8	No Pin	-Vo	0V2

Note:

* Unit is mm(inch).

ELECTRICAL CURVE

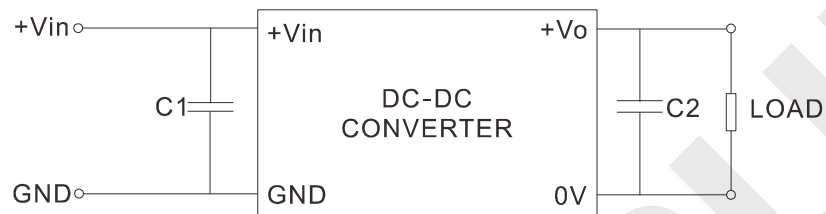


DMV-1 SERIES, 1WATT, 1KVDC, ISOLATED, UNREGULATED

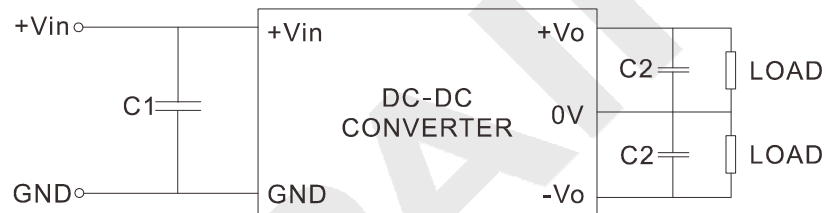
NOTE

RECOMMENDED TEST AND APPLICATION CIRCUIT

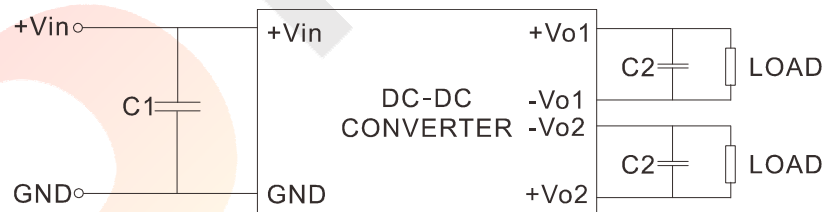
SINGLE OUTPUT



DUAL OUTPUT



TWIN ISOLATED OUTPUT



CAPACITOR SELECTION

INPUT VOLTAGE	C1	SINGLE OUTPUT	C2	DUAL OUTPUT	C2	ISOLATED TWIN OUTPUT	C2
3.3VDC	4.7 μ F	3.3VDC	10 μ F	\pm 3.3VDC	4.7 μ F	5, 5VDC	4.7 μ F
5VDC	4.7 μ F	5VDC	10 μ F	\pm 5VDC	4.7 μ F	9, 9VDC	2.2 μ F
12VDC	2.2 μ F	9VDC	4.7 μ F	\pm 9VDC	2.2 μ F	12, 12VDC	1.0 μ F
24VDC	1.0 μ F	12VDC	2.2 μ F	\pm 12VDC	1.0 μ F	15, 15VDC	1.0 μ F
--	--	15VDC	1.0 μ F	\pm 15VDC	1.0 μ F	24, 24VDC	0.47 μ F
--	--	24VDC	0.47 μ F	\pm 24VDC	0.47 μ F	--	--

DMV-3 SERIES, 3WATT, 2:1 INPUT RANGE

FEATURES:

- ✓ 1500Vdc isolation voltage
- ✓ Metal case with low ripple and noise
- ✓ Short circuit and input under voltage protection
- ✓ Operating temperature range -40°C to +85°C
- ✓ 3 year warranty



Model	Input voltage (Vdc)	Output voltage (Vdc)	Output current (mA)	Efficiency Typ.
DMV3-0511	5(4.5~9)	3.3	600	72%
DMV3-0512		5	600	74%
DMV3-0513		9	330	76%
DMV3-0514		12	250	80%
DMV3-0515		15	200	81%
DMV3-0516		24	125	80%
DMV3-0521		±3.3	300	72%
DMV3-0522		±5	300	75%
DMV3-0523		±9	165	77%
DMV3-0524		±12	125	81%
DMV3-0525		±15	100	83%
DMV3-0526		±24	60	80%
DMV3-1211	12(9~18)	3.3	600	72%
DMV3-1212		5	600	80%
DMV3-1213		9	330	81%
DMV3-1214		12	250	82%
DMV3-1215		15	200	82%
DMV3-1216		24	125	83%
DMV3-1221		±3.3	300	82%
DMV3-1222		±5	300	80%
DMV3-1223		±9	165	81%
DMV3-1224		±12	125	82%
DMV3-1225		±15	100	82%
DMV3-1226		±24	60	83%
DMV3-2411	24(18~36)	3.3	600	70%
DMV3-2412		5	600	77%
DMV3-2413		9	330	81%
DMV3-2414		12	250	84%
DMV3-2415		15	200	84%
DMV3-2416		24	125	84%

DMV-3 SERIES, 3WATT, 2:1 INPUT RANGE

Model	Input voltage (Vdc)	Output voltage (Vdc)	Output current (mA)	Efficiency Typ.
DMV3-2421	24(18~36)	±3.3	300	72%
DMV3-2422		±5	300	76%
DMV3-2423		±9	165	81%
DMV3-2424		±12	125	82%
DMV3-2425		±15	100	82%
DMV3-2426		±24	60	83%
DMV3-4811	48(36~72)	3.3	600	70%
DMV3-4812		5	600	80%
DMV3-4813		9	330	81%
DMV3-4814		12	250	82%
DMV3-4815		15	200	84%
DMV3-4816		24	125	84%
DMV3-4821		±3.3	300	72%
DMV3-4822		±5	300	80%
DMV3-4823		±9	165	81%
DMV3-4824		±12	125	82%
DMV3-4825		±15	100	83%
DMV3-4826		±24	60	83%

**Notes: 1. Other input and output models may available on request;
2. Above items are default to metal case.**

ELECTRICAL

Output voltage accuracy (Full voltage, full load)	+Vo -Vo	±2% max. ±3% max.
Line regulation	Nominal Load, full voltage	±0.5% max.
Load regulation	20% ~ 100% full load	±1% max.
Ripple and noise	20MHz BM, full load	75mVp-p max.
Operating frequency	Typical value	100KHz typ.
Isolation voltage (<1mA/min)	Input to output	1500Vdc
Isolation resistance	---	1000mΩ
Temperature coefficient	---	±0.03%/°C max.
Operating temperature range	---	-40°C to +85°C
Storage temperature range	---	-55°C to +120°C
Short circuit protection	---	Continuous, auto-recovery
Relative humidity	---	10%-90%
MTBF	Bellcore TR-332, 25°C	1000KHrs

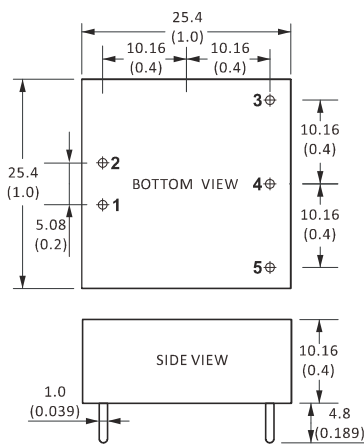
DMV-3 SERIES, 3WATT, 2:1 INPUT RANGE

ELECTRICAL

Weight --- 12g

Notes: All the parameters are measured at 25°C ambient temperature, humidity < 75%, nominal input voltage, full load and after warm-up, unless otherwise specified.

MECHANICAL



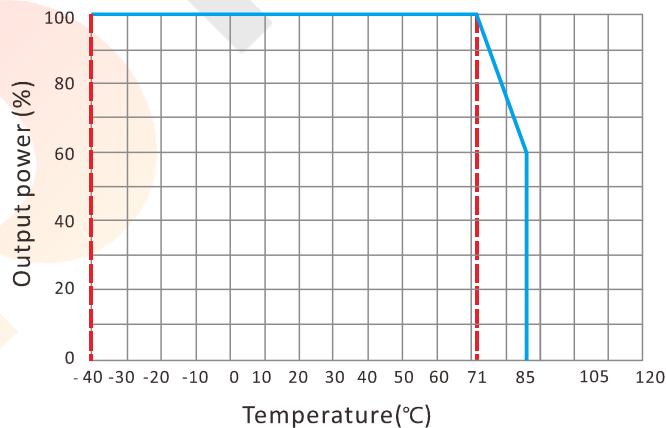
CONNECTION

PIN #	SINGLE	DUAL
1	GND	GND
2	+Vin	+Vin
3	+Vo	+Vo
4	No Pin	0V
5	0V	-Vo

Note:

* Unit is mm(inch).

ELECTRICAL CURVE

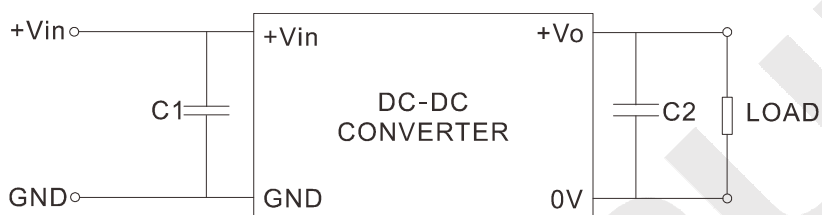


DMV-3 SERIES, 3WATT, 2:1 INPUT RANGE

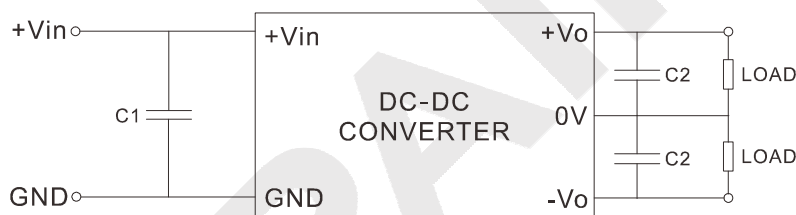
NOTES

RECOMMENDED TEST AND APPLICATION CIRCUIT

SINGLE OUTPUT



DUAL OUTPUT



CAPACITOR SELECTION

INPUT VOLTAGE	C1	SINGLE OUTPUT	C2	DUAL OUTPUT	C2
5VDC	100 μ F	5VDC	330 μ F	\pm 5VDC	220 μ F
12VDC	47 μ F	9VDC	220 μ F	\pm 9VDC	100 μ F
24VDC	47 μ F	12VDC	100 μ F	\pm 12VDC	47 μ F
48VDC	10 μ F	15VDC	100 μ F	\pm 15VDC	47 μ F
--	--	24VDC	47 μ F	\pm 24VDC	22 μ F

DMV-3W SERIES, 3WATT, 4:1 INPUT RANGE

FEATURES:

- ✓ 1500Vdc isolation voltage
- ✓ Metal case with low ripple and noise
- ✓ Short circuit and input under voltage protection
- ✓ Operating temperature range -40°C to +85°C
- ✓ 3 year warranty



Model	Input voltage (Vdc)	Output voltage (Vdc)	Output current (mA)	Efficiency Typ.	
DMV3W-2411	24(9~36)	3.3	600	75%	
DMV3W-2412		5	600	77%	
DMV3W-2413		9	330	81%	
DMV3W-2414		12	250	84%	
DMV3W-2415		15	200	84%	
DMV3W-2416		24	125	84%	
DMV3W-2421		±3.3	300	74%	
DMV3W-2422		±5	300	76%	
DMV3W-2423		±9	165	81%	
DMV3W-2424		±12	125	82%	
DMV3W-2425		±15	100	82%	
DMV3W-2426		±24	60	83%	
DMV3W-4811		48(18~72)	3.3	600	76%
DMV3W-4812			5	600	80%
DMV3W-4813			9	330	81%
DMV3W-4814			12	250	82%
DMV3W-4815	15		200	84%	
DMV3W-4816	24		125	84%	
DMV3W-4821	±3.3		300	78%	
DMV3W-4822	±5		300	80%	
DMV3W-4823	±9		165	81%	
DMV3W-4824	±12		125	82%	
DMV3W-4825	±15		100	83%	
DMV3W-4826	±24		60	83%	

Notes: 1. Other input and output models may available on request;
2. Above items are default to metal case.

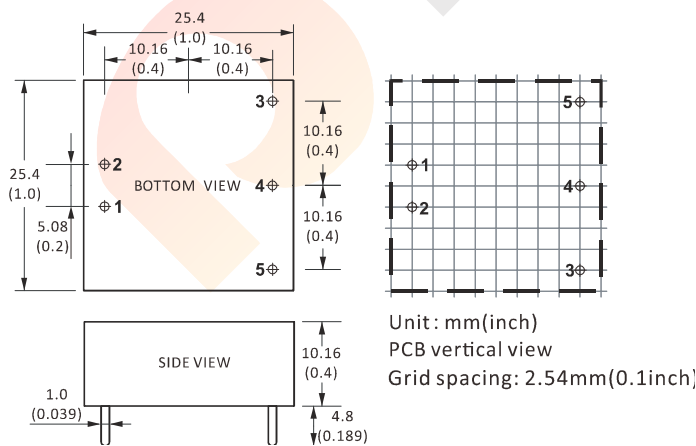
DMV-3W SERIES, 3WATT, 4:1 INPUT RANGE

ELECTRICAL

Output voltage accuracy (Full voltage, full load)	+Vo -Vo	±2% max. ±3% max.
Line regulation	Nominal Load, full voltage	±0.5% max.
Load regulation	20% ~ 100% full load	±1% max.
Ripple and noise	20MHz BM, full load	75mVp-p max.
Operating frequency	Typical value	100KHz typ.
Isolation voltage (<1mA/min)	Input to output	1500Vdc
Isolation resistance	---	1000mΩ
Operating temperature range	---	-40°C to +85°C
Storage temperature range	---	-55°C to +125°C
Short circuit protection	---	Continuous, auto-recovery
Relative humidity	---	10%-90%
MTBF	Bellcore TR-332, 25°C	1000KHrs
Weight	---	12g

Notes: All the parameters are measured at 25°C ambient temperature, humidity < 75%, nominal input voltage, full load and after warm-up, unless otherwise specified.

MECHANICAL



CONNECTION

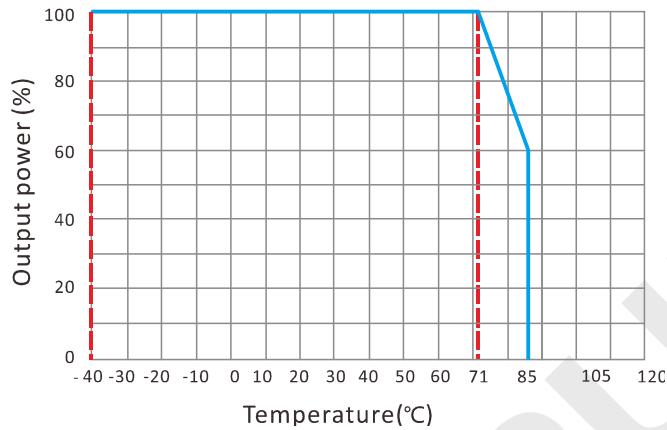
PIN #	SINGLE	DUAL
1	GND	GND
2	+Vin	+Vin
3	+Vo	+Vo
4	No Pin	0V
5	0V	-Vo

Note:

* Unit is mm(inch).

DMV-3W SERIES, 3WATT, 4:1 INPUT RANGE

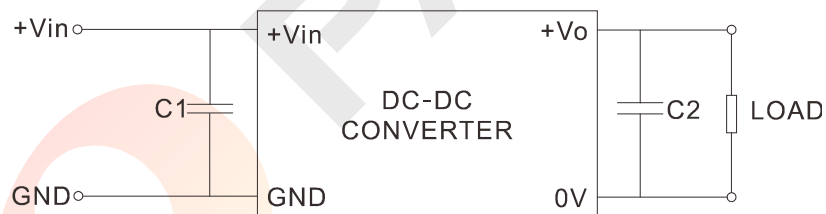
ELECTRICAL CURVE



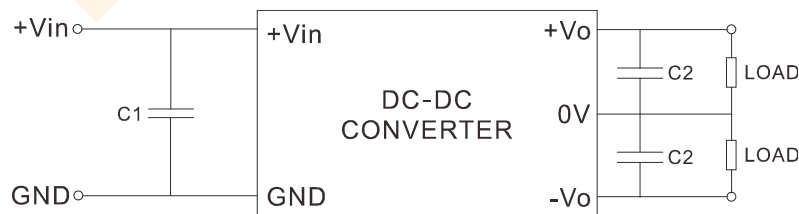
NOTES

RECOMMENDED TEST AND APPLICATION CIRCUIT

SINGLE OUTPUT



DUAL OUTPUT





DMV-3W SERIES, 3WATT, 4:1 INPUT RANGE

NOTES

CAPACITOR SELECTION

INPUT VOLTAGE	C1	SINGLE OUTPUT	C2	DUAL OUTPUT	C2
24VDC	47μF	5VDC	330μF	±5VDC	220μF
48VDC	10μF	9VDC	220μF	±9VDC	100μF
--	--	12VDC	100μF	±12VDC	47μF
--	--	15VDC	100μF	±15VDC	47μF
--	--	24VDC	47μF	±24VDC	22μF



DMV-5 SERIES, 5WATT, 2:1 INPUT RANGE

FEATURES:

- ✓ 1500Vdc isolation voltage
- ✓ Metal case with low ripple and noise
- ✓ Short circuit and input under voltage protection
- ✓ Operating temperature range -40°C to +85°C
- ✓ 3 year warranty



Model	Input voltage (Vdc)	Output voltage (Vdc)	Output current (mA)	Efficiency Typ.
DMV5-0511	5(4.5~9)	3.3	1000	72%
DMV5-0512		5	1000	75%
DMV5-0513			550	76%
DMV5-0514		12	410	77%
DMV5-0515		15	330	78%
DMV5-0516		24	210	78%
DMV5-0521		±3.3	500	70%
DMV5-0522		±5	500	74%
DMV5-0523		±9	275	75%
DMV5-0524		±12	205	77%
DMV5-0525		±15	165	78%
DMV5-0526		±24	100	77%
DMV5-1211		12(9~18)	3.3	1000
DMV5-1212	5		1000	75%
DMV5-1213			550	76%
DMV5-1214	12		410	77%
DMV5-1215	15		330	78%
DMV5-1216	24		210	79%
DMV5-1221	±3.3		500	70%
DMV5-1222	±5		500	78%
DMV5-1223	±9		275	80%
DMV5-1224	±12		205	80%
DMV5-1225	±15		165	81%
DMV5-1226	±24		100	81%
DMV5-2411	24(18~36)		3.3	1000
DMV5-2412		5	1000	81%
DMV5-2413			550	79%
DMV5-2414		12	410	80%
DMV5-2415		15	330	81%
DMV5-2416		24	210	82%

DMV-5 SERIES, 5WATT, 2:1 INPUT RANGE

Model	Input voltage (Vdc)	Output voltage (Vdc)	Output Current (mA)	Efficiency Typ.
DMV5-2421	24(18~36)	±3.3	500	70%
DMV5-2422		±5	500	79%
DMV5-2423		±9	275	79%
DMV5-2424		±12	205	81%
DMV5-2425		±15	165	83%
DMV5-2426		±24	100	83%
DMV5-4811	48(36~72)	3.3	1000	72%
DMV5-4812		5	1000	80%
DMV5-4813		9	550	82%
DMV5-4814		12	410	82%
DMV5-4815		15	330	83%
DMV5-4816		24	210	84%
DMV5-4821		±3.3	500	72%
DMV5-4822		±5	500	79%
DMV5-4823		±9	275	79%
DMV5-4824		±12	205	81%
DMV5-4825		±15	165	83%
DMV5-4826		±24	100	83%

Notes: 1. Other input and output models may available on request;
2. Above items are default to metal case.

ELECTRICAL

Output voltage accuracy (Full voltage, full load)	+Vo -Vo	±2% max. ±3% max.
Line regulation	Nominal Load, full voltage	±0.5% max.
Load regulation	20% ~ 100% full load	±1% max.
Ripple and noise	20MHz BM, full load	120mVp-p max.
Operating frequency	Typical value	300KHz typ.
Isolation voltage (<1mA/min)	Input to output	1500Vdc
Isolation resistance	---	1000mΩ
Temperature coefficient	---	±0.03%/°C max.
Operating temperature range	---	-40°C to +85°C
Storage temperature range	---	-55°C to +125°C
Short circuit protection	---	Continuous, auto-recovery
Relative humidity	---	10%-90% max.

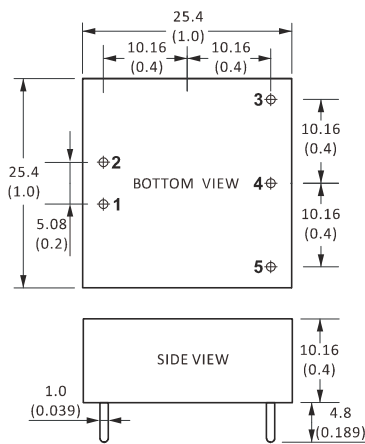
DMV-5 SERIES, 5WATT, 2:1 INPUT RANGE

ELECTRICAL

MTBF	Bellcore TR-332, 25°C	1000KHrs
Weight	---	12g

Notes: All the parameters are measured at 25°C ambient temperature, humidity < 75%, nominal input voltage, full load and after warm-up, unless otherwise specified.

MECHANICAL



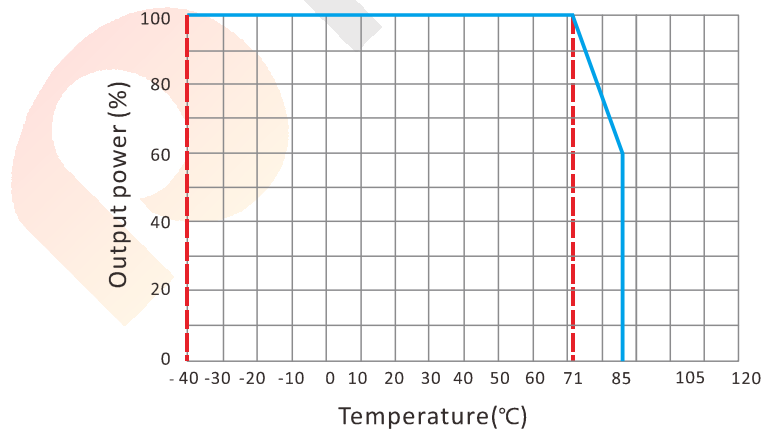
CONNECTION

PIN #	SINGLE	DUAL
1	GND	GND
2	+Vin	+Vin
3	+Vo	+Vo1
4	No Pin	0V
5	0V	-Vo2

Note:

* Unit is mm(inch).

ELECTRICAL CURVE

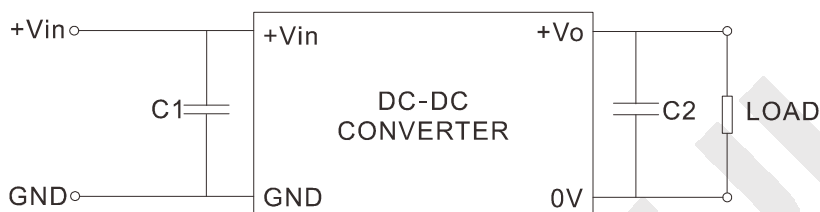


DMV-5 SERIES, 5WATT, 2:1 INPUT RANGE

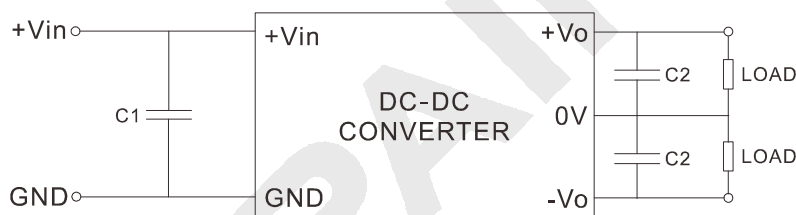
NOTES

RECOMMENDED TEST AND APPLICATION CIRCUIT

SINGLE OUTPUT



DUAL OUTPUT



CAPACITOR SELECTION

INPUT VOLTAGE	C1	SINGLE OUTPUT	C2	DUAL OUTPUT	C2
5VDC	100 μ F	5VDC	1000 μ F	\pm 5VDC	470 μ F
12VDC	47 μ F	9VDC	470 μ F	\pm 9VDC	220 μ F
24VDC	47 μ F	12VDC	220 μ F	\pm 12VDC	100 μ F
48VDC	10 μ F	15VDC	220 μ F	\pm 15VDC	100 μ F
--	--	24VDC	100 μ F	\pm 24VDC	47 μ F

DMV-5W SERIES, 5WATT, 4:1 INPUT RANGE

FEATURES:

- ✓ 1500Vdc isolation voltage
- ✓ Metal case with low ripple and noise
- ✓ Short circuit and input under voltage protection
- ✓ Operating temperature range -40°C to +85°C
- ✓ 3 year warranty



Model	Input voltage (Vdc)	Output voltage (Vdc)	Output current (mA)	Efficiency Typ.
DMV5W-2411	24(9~36)	3.3	1000	80%
DMV5W-2412		5	1000	80%
DMV5W-2413		9	550	82%
DMV5W-2414		12	410	82%
DMV5W-2415		15	330	82%
DMV5W-2416		24	210	82%
DMV5W-2421		±3.3	500	80%
DMV5W-2422		±5	500	80%
DMV5W-2423		±9	275	82%
DMV5W-2424		±12	205	82%
DMV5W-2425		±15	165	82%
DMV5W-2426		±24	100	82%
DMV5W-4811	48(18~72)	3.3	1000	80%
DMV5W-4812		5	1000	80%
DMV5W-4813		9	550	82%
DMV5W-4814		12	410	82%
DMV5W-4815		15	330	82%
DMV5W-4816		24	210	82%
DMV5W-4821		±3.3	500	80%
DMV5W-4822		±5	500	80%
DMV5W-4823		±9	275	82%
DMV5W-4824		±12	205	82%
DMV5W-4825		±15	165	82%
DMV5W-4826		±24	100	82%

Notes: 1. Other input and output models may available on request;
2. Above items are default to metal case.

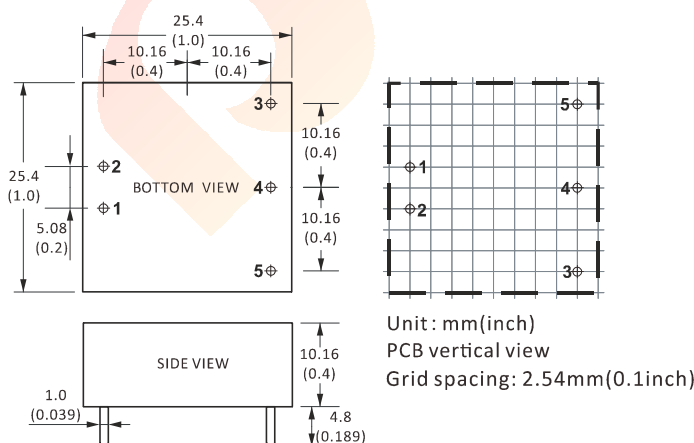
DMV-5W SERIES, 5WATT, 4:1 INPUT RANGE

ELECTRICAL

Output voltage accuracy (Full voltage, full load)	+Vo -Vo	±2% max. ±3% max.
Line regulation	Nominal Load, full voltage	±0.5% max.
Load regulation	20% ~ 100% full load	±1% max.
Ripple and noise	20MHz BM, full load	120mVp-p max.
Operating frequency	Typical value	300KHz typ.
Isolation voltage (<1mA/min)	Input to output	1500Vdc
Isolation resistance	---	1000mΩ
Temperature coefficient	---	±0.03%/°C max.
Operating temperature range	---	-40°C to +85°C
Storage temperature range	---	-55°C to +125°C
Short circuit protection	---	Continuous, auto-recovery
Relative humidity	---	10%-90% max.
MTBF	Bellcore TR-332, 25°C	1000KHrs
Weight	---	12g

Notes: All the parameters are measured at 25°C ambient temperature, humidity < 75%, nominal input voltage, full load and after warm-up, unless otherwise specified.

MECHANICAL



CONNECTION

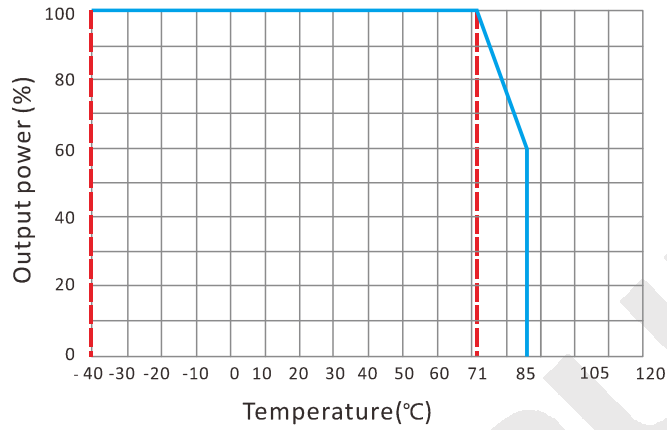
PIN #	SINGLE	DUAL
1	GND	GND
2	+Vin	+Vin
3	+Vo	+Vo1
4	No Pin	0V
5	0V	-Vo2

Note:

* Unit is mm(inch).

DMV-5W SERIES, 5WATT, 4:1 INPUT RANGE

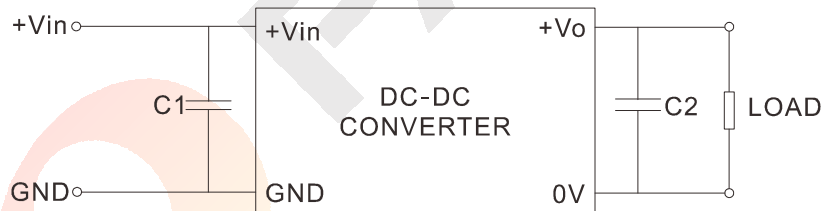
ELECTRICAL CURVE



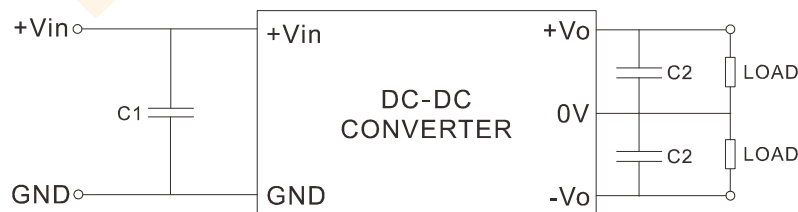
NOTES

RECOMMENDED TEST AND APPLICATION CIRCUIT

SINGLE OUTPUT



DUAL OUTPUT



DMV-5W SERIES, 5WATT, 4:1 INPUT RANGE
NOTES
CAPACITOR SELECTION

INPUT VOLTAGE	C1	SINGLE OUTPUT	C2	DUAL OUTPUT	C2
24VDC	100 μ F	5VDC	1000 μ F	\pm 5VDC	470 μ F
48VDC	47 μ F	9VDC	470 μ F	\pm 9VDC	220 μ F
--	--	12VDC	220 μ F	\pm 12VDC	100 μ F
--	--	15VDC	220 μ F	\pm 15VDC	100 μ F
--	--	24VDC	100 μ F	\pm 24VDC	47 μ F

DNV-3 SERIES, 3WATT, 2:1 INPUT RANGE

FEATURES:

- ✓ 1500Vdc isolation voltage
- ✓ Metal/Plastic case with low ripple and noise
- ✓ Short circuit and input under voltage protection
- ✓ Operating temperature range -40°C to +85°C
- ✓ 3 year warranty



Model	Input voltage (Vdc)	Output voltage (Vdc)	Output current (mA)	Efficiency Typ.
DNV3-0510	5(4.5~9)	3.3	750	72%
DNV3-0511		5	600	78%
DNV3-0515		9	333	79%
DNV3-0512		12	250	79%
DNV3-0514		15	200	78%
DNV3-0513		24	125	83%
DNV3-0521		±5	300	78%
DNV3-0525		±9	167	79%
DNV3-0522		±12	125	74%
DNV3-0523		±15	100	73%
DNV3-0524		±24	60	76%
DNV3-1210	12(9~18)	3.3	750	72%
DNV3-1211		5	600	78%
DNV3-1215		9	333	81%
DNV3-1212		12	250	80%
DNV3-1214		15	200	80%
DNV3-1213		24	125	81%
DNV3-1221		±5	300	78%
DNV3-1225		±9	167	82%
DNV3-1222		±12	125	82%
DNV3-1223		±15	100	84%
DNV3-1224		±24	60	84%
DNV3-2410	24(18~36)	3.3	750	72%
DNV3-2411		5	600	78%
DNV3-2415		9	333	81%
DNV3-2412		12	250	80%
DNV3-2414		15	200	80%
DNV3-2413		24	125	81%
DNV3-2421		±5	300	78%



DNV-3 SERIES, 3WATT, 2:1 INPUT RANGE

Model	Input voltage (Vdc)	Output voltage (Vdc)	Output current (mA)	Efficiency Typ.
DNV3-2425	24(18~36)	±9	167	82%
DNV3-2422		±12	125	82%
DNV3-2423		±15	100	84%
DNV3-2424		±24	60	84%
DNV3-4811	48(36~72)	5	600	78%
DNV3-4815		9	333	81%
DNV3-4812		12	250	80%
DNV3-4814		15	200	80%
DNV3-4813		24	125	81%
DNV3-4821		±5	300	78%
DNV3-4825		±9	167	82%
DNV3-4822		±12	125	82%
DNV3-4823		±15	100	84%
DNV3-4824		±24	60	84%

Notes:

1. other input and output models may available on request;
2. Above models are default to plastic case, you may request for metal case, plus "M" in the suffix;
3. Add suffix -SP for special pin definition.

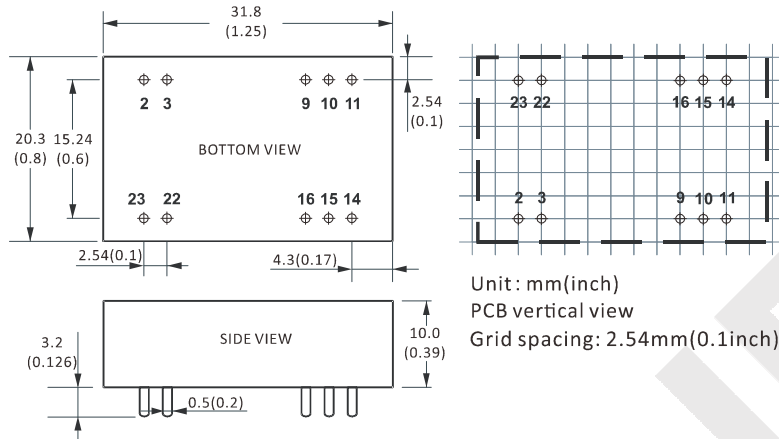
ELECTRICAL

Output voltage accuracy (Full voltage, full load)	+Vo -Vo	±2% max. ±3% max.
Line regulation	Nominal Load, full voltage	±0.5% max.
Load regulation	20% ~ 100% full load	±2% max.
Ripple and noise	20MHz BM, full load	100mVp-p max.
Operating frequency	Typical value	100KHz typ.
Isolation voltage (<1mA/min)	Input to output	1500Vdc
Isolation resistance	---	1000mΩ
Temperature coefficient	---	±0.03%/°C max.
Operating temperature range	---	-40°C to +85°C
Storage temperature range	---	-55°C to +125°C
Short circuit protection	---	Continuous, auto-recovery
Relative humidity	---	10%-90%
MTBF	Bellcore TR-332, 25°C	1000Khrs
Weight	---	18g

DNV-3 SERIES, 3WATT, 2:1 INPUT RANGE

Notes: All the parameters are measured at 25°C ambient temperature, humidity < 75%, nominal input voltage, full load and after warm-up, unless otherwise specified.

MECHANICAL



CONNECTION

PIN #	SINGLE	DUAL
2	GND	GND
3	GND	GND
9	NC	0V
10	No Pin	No Pin
11	NC	-Vo2
14	+Vo	+Vo1
15	No Pin	No Pin
16	0V	0V
22	+Vin	+Vin
23	+Vin	+Vin

Note:

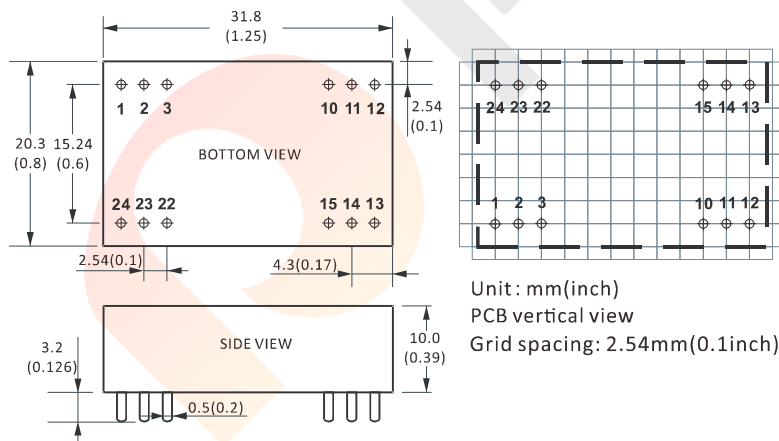
* Unit is mm(inch).

"-SP" CONNECTION

PIN #	SINGLE	DUAL
1	+Vin	+Vin
2	No Pin	-Vo
3	No Pin	0V
10	0V	0V
11	+Vo	+Vo
12	GND	GND
13	GND	GND
14	+Vo	+Vo
15	0V	0V
22	No Pin	0V
23	No Pin	-Vo
24	+Vin	+Vin

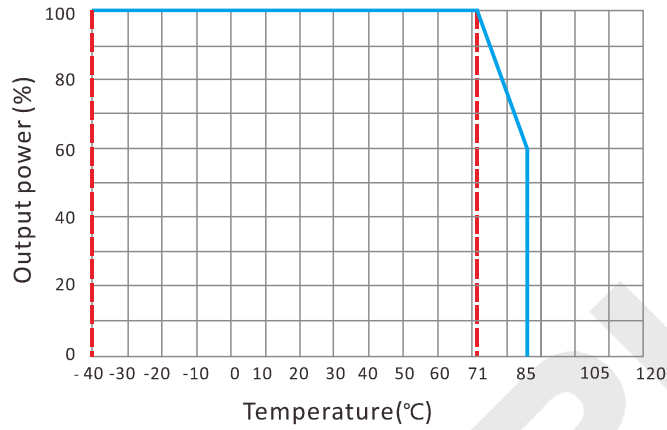
Note:

* Unit is mm(inch).



DNV-3 SERIES, 3WATT, 2:1 INPUT RANGE

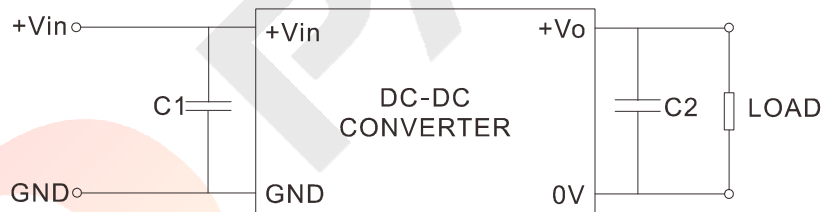
ELECTRICAL CURVE



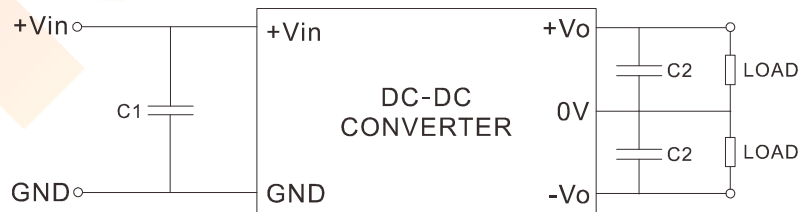
NOTES

RECOMMENDED TEST AND APPLICATION CIRCUIT

SINGLE OUTPUT



DUAL OUTPUT





DNV-3 SERIES, 3WATT, 2:1 INPUT RANGE

NOTES

CAPACITOR SELECTION

INPUT VOLTAGE	C1	SINGLE OUTPUT	C2	DUAL OUTPUT	C2
5VDC	100 μ F	5VDC	330 μ F	\pm 5VDC	220 μ F
12VDC	47 μ F	9VDC	220 μ F	\pm 9VDC	100 μ F
24VDC	47 μ F	12VDC	100 μ F	\pm 12VDC	47 μ F
48VDC	10 μ F	15VDC	100 μ F	\pm 15VDC	47 μ F
--	--	24VDC	47 μ F	\pm 24VDC	22 μ F

DNV-3F SERIES, 3WATT, 2:1 INPUT RANGE

FEATURES:

- ✓ 3000Vdc isolation voltage
- ✓ Metal/Plastic case with low ripple and noise
- ✓ Continuous short circuit protection
- ✓ Operating temperature range -40°C to +85°C
- ✓ 3 year warranty



Model	Input voltage (Vdc)	Output voltage (Vdc)	Output current (mA)	Efficiency Typ.
DNV3-0511F	5(4.5~9)	5	600	74%
DNV3-0515F		9	333	80%
DNV3-0512F		12	250	78%
DNV3-0513F		15	200	78%
DNV3-0514F		24	125	78%
DNV3-0521F		±5	300	76%
DNV3-0525F		±9	167	80%
DNV3-0522F		±12	125	78%
DNV3-0523F		±15	100	78%
DNV3-0524F		±24	60	78%
DNV3-1211F		12(9~18)	5	600
DNV3-1215F	9		333	80%
DNV3-1212F	12		250	82%
DNV3-1213F	15		100	82%
DNV3-1214F	24		125	82%
DNV3-1221F	±5		300	80%
DNV3-1225F	±9		167	80%
DNV3-1222F	±12		125	82%
DNV3-1223F	±15		100	82%
DNV3-1224F	±24		60	82%
DNV3-2411F	24(18~36)		5	600
DNV3-2415F		9	333	80%
DNV3-2412F		12	250	86%
DNV3-2413F		15	200	86%
DNV3-2414F		24	125	86%
DNV3-2421F		±5	300	80%
DNV3-2425F		±9	167	80%
DNV3-2422F		±12	125	82%
DNV3-2423F		±15	100	82%
DNV3-2424F		±24	60	82%


DNV-3F SERIES, 3WATT, 2:1 INPUT RANGE

Model	Input voltage (Vdc)	Output voltage (Vdc)	Output current (mA)	Efficiency Typ.
DNV3-4811F	48(36~72)	5	600	80%
DNV3-4815F		9	333	80%
DNV3-4812F		12	250	86%
DNV3-4813F		15	200	86%
DNV3-4814F		24	125	86%
DNV3-4821F	48(36~72)	±5	300	80%
DNV3-4825F		±9	167	80%
DNV3-4822F		±12	125	82%
DNV3-4823F		±15	100	82%
DNV3-4824F		±24	60	82%

Notes: other input and output models may available on request.

Above models are default to plastic case, you may request for the models with metal case, plus "M" in the suffix.

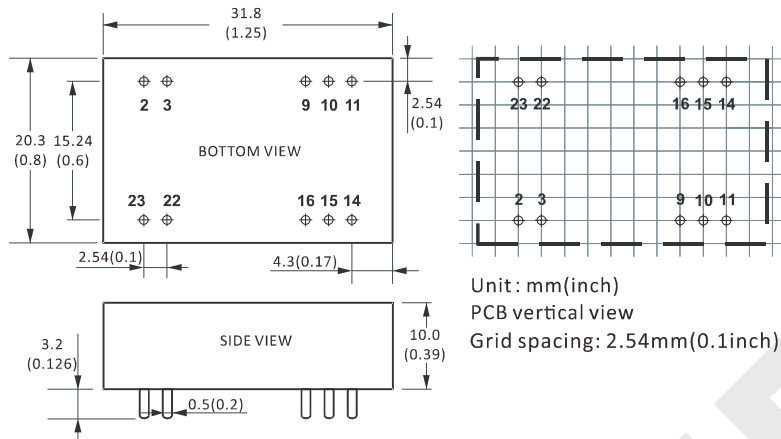
ELECTRICAL

Output voltage accuracy (Full voltage, full load)	+Vo -Vo	±2% max. ±3% max.
Line regulation	Nominal Load, full voltage	±0.5% max.
Load regulation	20% ~ 100% full load	±2% max.
Ripple and noise	20MHz BM, full load	100mVp-p max.
Operating frequency	Typical value	100KHz typ.
Isolation voltage (<1mA/min)	Input to output	3000Vdc
Isolation resistance	---	1000mΩ
Temperature coefficient	---	±0.03%/°C max.
Operating temperature range	---	-40°C to +85°C
Storage temperature range	---	-55°C to +125°C
Short circuit protection	---	Continuous, auto-recovery
Relative humidity	---	10%-90%
MTBF	Bellcore TR-332, 25°C	1000KHrs
Weight	---	18g

Notes: All the parameters are measured at 25°C ambient temperature, humidity < 75%, nominal input voltage, full load and after warm-up, unless otherwise specified.

DNV-3F SERIES, 3WATT, 2:1 INPUT RANGE

MECHANICAL



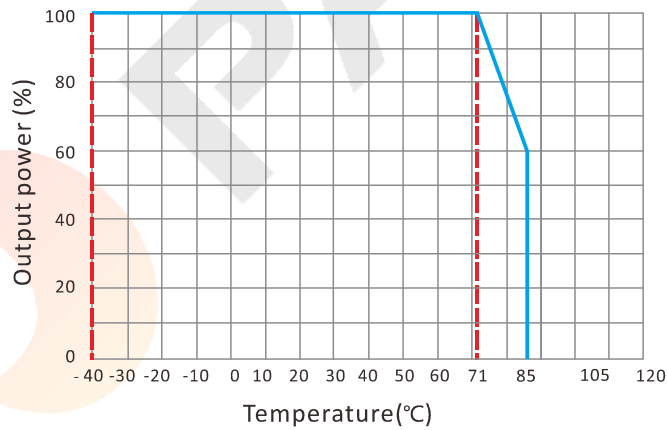
CONNECTION

PIN #	SINGLE	DUAL
2	GND	GND
3	GND	GND
9	NC	0V
10	No Pin	No Pin
11	NC	-Vo2
14	+Vo	+Vo1
15	No Pin	No Pin
16	0V	0V
22	+Vin	+Vin
23	+Vin	+Vin

Note:

* Unit is mm(inch).

ELECTRICAL CURVE

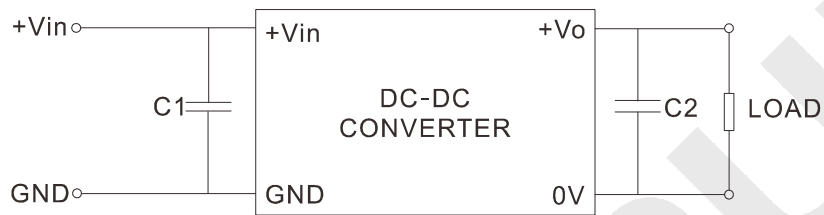


DNV-3F SERIES, 3WATT, 2:1 INPUT RANGE

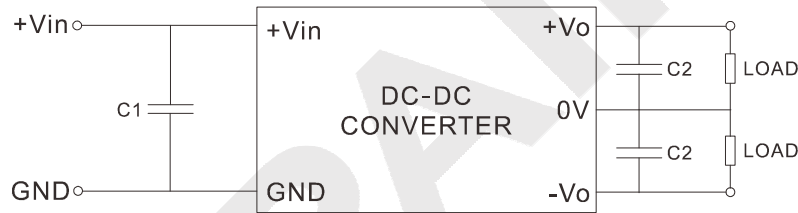
NOTES

RECOMMENDED TEST AND APPLICATION CIRCUIT

SINGLE OUTPUT



DUAL OUTPUT



CAPACITOR SELECTION

INPUT VOLTAGE	C1	SINGLE OUTPUT	C2	DUAL OUTPUT	C2
5VDC	100 μ F	5VDC	330 μ F	\pm 5VDC	220 μ F
12VDC	47 μ F	9VDC	220 μ F	\pm 9VDC	100 μ F
24VDC	47 μ F	12VDC	100 μ F	\pm 12VDC	47 μ F
48VDC	10 μ F	15VDC	100 μ F	\pm 15VDC	47 μ F
--	--	24VDC	47 μ F	\pm 24VDC	22 μ F

DNV-3W SERIES, 3WATT, 4:1 INPUT RANGE

FEATURES:

- ✓ 1500Vdc isolation voltage
- ✓ Metal/Plastic case with low ripple and noise
- ✓ Short circuit and input under voltage protection
- ✓ Operating temperature range -40°C to +85°C
- ✓ 3 year warranty



Model	Input voltage (Vdc)	Output voltage (Vdc)	Output current (mA)	Efficiency Typ.
DNV3W-2411	24(9~36)	5	600	78%
DNV3W-2415		9	333	77%
DNV3W-2412		12	250	81%
DNV3W-2414		15	200	80%
DNV3W-2413		24	125	81%
DNV3W-2421		±5	300	76%
DNV3W-2425		±9	167	79%
DNV3W-2422		±12	125	80%
DNV3W-2423		±15	100	80%
DNV3W-2424		±24	60	81%
DNV3W-4811		48(18~72)	5	600
DNV3W-4815	9		333	80%
DNV3W-4812	12		250	82%
DNV3W-4814	15		200	80%
DNV3W-4813	24		125	81%
DNV3W-4821	±5		300	78%
DNV3W-4825	±9		167	79%
DNV3W-4822	±12		125	82%
DNV3W-4823	±15		100	81%
DNV3W-4824	±24		60	82%

Notes:

1. other input and output models may available on request;
2. Above models are default to plastic case, you may request for metal case, plus "M" in the suffix;
3. Add suffix -SP2 for special pin definition.

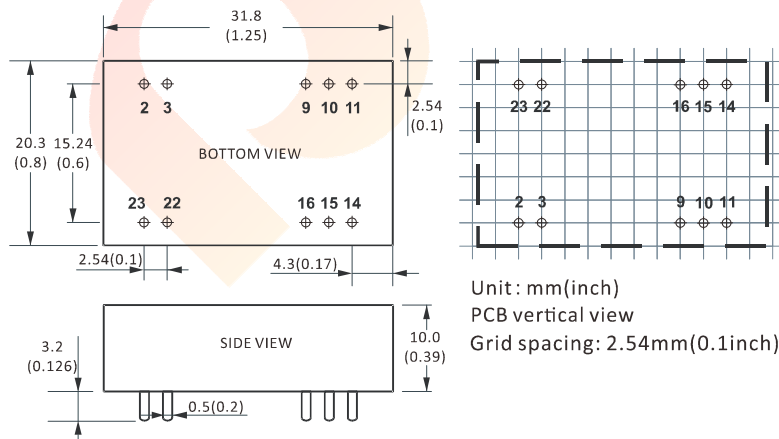
DNV-3W SERIES, 3WATT, 4:1 INPUT RANGE

ELECTRICAL

Output voltage accuracy (Full voltage, full load)	+Vo -Vo	±2% max. ±3% max.
Line regulation	Nominal Load, full voltage	±0.5% max.
Load regulation	20% ~ 100% full load	±1% max.
Ripple and noise	20MHz BM, full load	100mVp-p max.
Operating frequency	Typical value	100KHz typ.
Isolation voltage (<1mA/min)	Input to output	1500Vdc
Isolation resistance	---	1000mΩ
Temperature coefficient	---	±0.03%/°C max.
Operating temperature range	---	-40°C to +85°C
Storage temperature range	---	-55°C to +125°C
Short circuit protection	---	Continuous, auto-recovery
Relative humidity	---	10%-90%
MTBF	Bellcore TR-332, 25°C	1000KHrs
Weight	---	18g

Notes: All the parameters are measured at 25°C ambient temperature, humidity < 75%, nominal input voltage, full load and after warm-up, unless otherwise specified.

MECHANICAL



CONNECTION

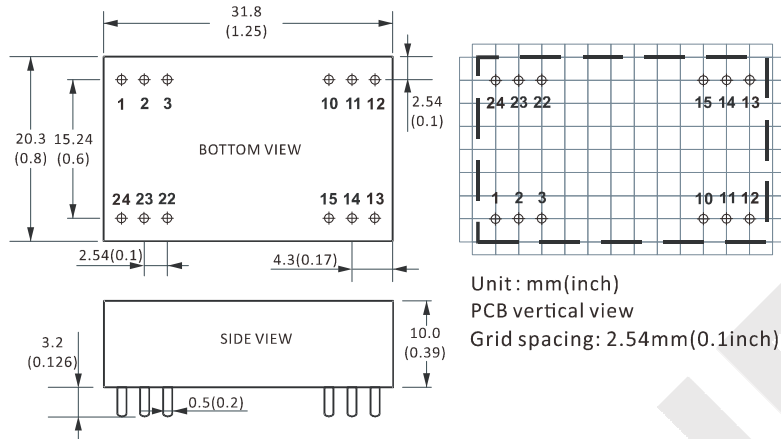
PIN #	SINGLE	DUAL
2	GND	GND
3	GND	GND
9	NC	0V
10	No Pin	No Pin
11	NC	-Vo2
14	+Vo	+Vo1
15	No Pin	No Pin
16	0V	0V
22	+Vin	+Vin
23	+Vin	+Vin

Note:

* Unit is mm(inch)

DNV-3W SERIES, 3WATT, 4:1 INPUT RANGE

MECHANICAL



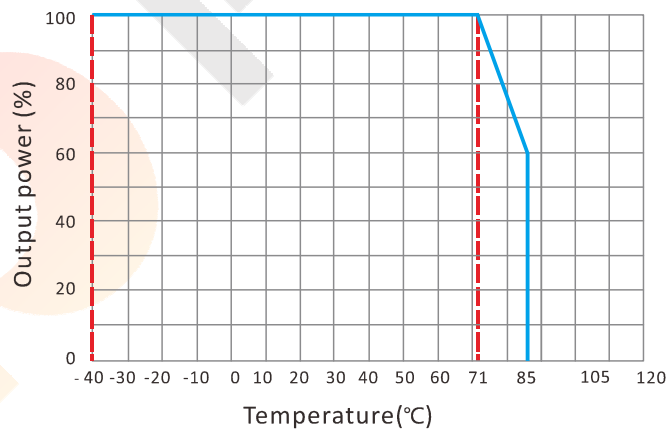
"-SP2" CONNECTION

PIN #	DUAL
1	+Vin
2	+Vin
3	No Pin
10	0V
11	0V
12	NC
13	-Vo
14	No Pin
15	+Vo
22	No Pin
23	-Vin
24	-Vin

Note:

* Unit is mm(inch).

ELECTRICAL CURVE

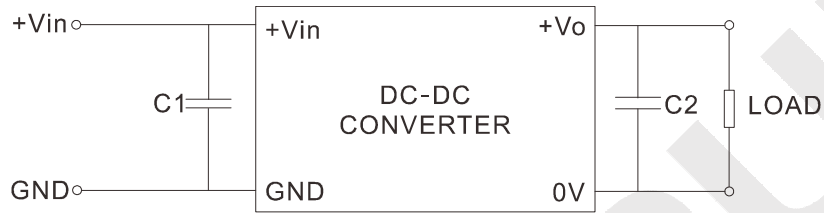


DNV-3W SERIES, 3WATT, 4:1 INPUT RANGE

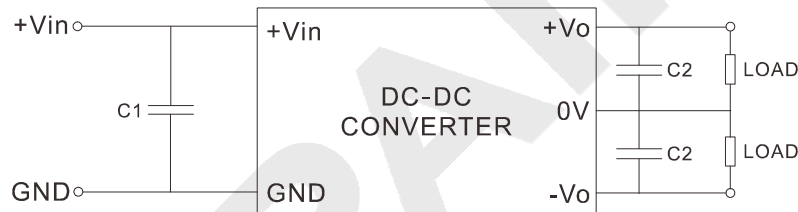
NOTES

RECOMMENDED TEST AND APPLICATION CIRCUIT

SINGLE OUTPUT



DUAL OUTPUT



CAPACITOR SELECTION

INPUT VOLTAGE	C1	SINGLE OUTPUT	C2	DUAL OUTPUT	C2
24VDC	22 μ F	5VDC	470 μ F	\pm 5VDC	220 μ F
48VDC	10 μ F	9VDC	220 μ F	\pm 9VDC	100 μ F
--	--	12VDC	100 μ F	\pm 12VDC	47 μ F
--	--	15VDC	100 μ F	\pm 15VDC	47 μ F
--	--	24VDC	47 μ F	\pm 24VDC	22 μ F

DNV-5 SERIES, 5WATT, 2:1 INPUT RANGE

FEATURES:

- ✓ 1500Vdc isolation voltage
- ✓ Metal/Plastic case with low ripple and noise
- ✓ Short circuit and input under voltage protection
- ✓ Operating temperature range -40°C to +85°C
- ✓ 3 year warranty



Model	Input voltage (Vdc)	Output voltage (Vdc)	Output current (mA)	Efficiency Typ.	
DNV5-0510	5(4.5~9)	3.3	1200	72%	
DNV5-0511		5	1000	74%	
DNV5-0515		9	555	77%	
DNV5-0512		12	410	82%	
DNV5-0513		15	330	79%	
DNV5-0514		24	210	79%	
DNV5-0521		±5	500	74%	
DNV5-0525		±9	278	78%	
DNV5-0522		±12	205	77%	
DNV5-0523		±15	165	81%	
DNV5-0524		±24	100	81%	
DNV5-1210		12(9~18)	3.3	1200	72%
DNV5-1211			5	1000	78%
DNV5-1215			9	555	80%
DNV5-1212	12		410	81%	
DNV5-1213	15		330	81%	
DNV5-1214	24		210	81%	
DNV5-1221	±5		500	79%	
DNV5-1225	±9		278	81%	
DNV5-1222	±12		205	81%	
DNV5-1223	±15		165	82%	
DNV5-1224	±24		100	83%	
DNV5-2410	24(18~36)		3.3	1200	72%
DNV5-2411			5	1000	79%
DNV5-2415			9	555	80%
DNV5-2412		12	410	81%	
DNV5-2413		15	330	81%	
DNV5-2414		24	210	83%	

DNV-5 SERIES, 5WATT, 2:1 INPUT RANGE

Model	Input voltage (Vdc)	Output voltage (Vdc)	Output current (mA)	Efficiency Typ.
DNV5-2421	24(18~36)	±5	500	79%
DNV5-2425		±9	278	80%
DNV5-2422		±12	205	81%
DNV5-2423		±15	165	82%
DNV5-2424		±24	100	83%
DNV5-4811	48(36~72)	5	1000	81%
DNV5-4815		9	555	81%
DNV5-4812		12	410	81%
DNV5-4813		15	330	83%
DNV5-4814		24	210	84%
DNV5-4821		±5	500	79%
DNV5-4825		±9	278	80%
DNV5-4822		±12	205	81%
DNV5-4823		±15	165	82%
DNV5-4824		±24	100	82%

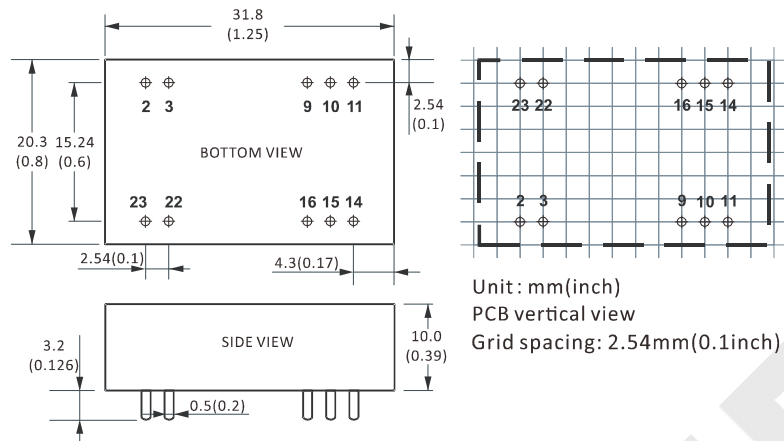
Notes: other input and output models may available on request.

Above models are default to plastic case, you may request for the models with metal case, plus "M" in the suffix.

ELECTRICAL

Output voltage accuracy (Full voltage, full load)	+Vo -Vo	±2% max. ±3% max.
Line regulation	Nominal Load, full voltage	±0.5% max.
Load regulation	20% ~ 100% full load	±2% max.
Ripple and noise	20MHz BM, full load	100mVp-p max.
Operating frequency	Typical value	300KHz typ.
Isolation voltage (<1mA/min)	Input to output	1500Vdc
Isolation resistance	---	1000mΩ
Temperature coefficient	---	±0.03%/°C max.
Operating temperature range	---	-40°C to +85°C
Storage temperature range	---	-55°C to +125°C
Short circuit protection	---	Continuous, auto-recovery
Relative humidity	---	10%-90%
MTBF	Bellcore TR-332, 25°C	1000KHrs
Weight	---	18g

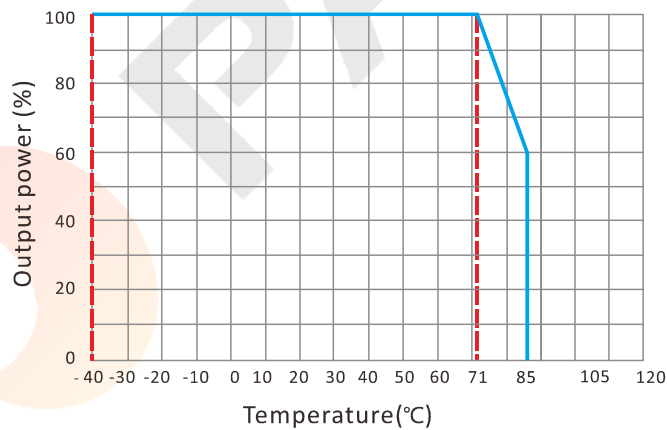
Notes: All the parameters are measured at 25°C ambient temperature, humidity < 75%, nominal input voltage, full load and after warm-up, unless otherwise specified.

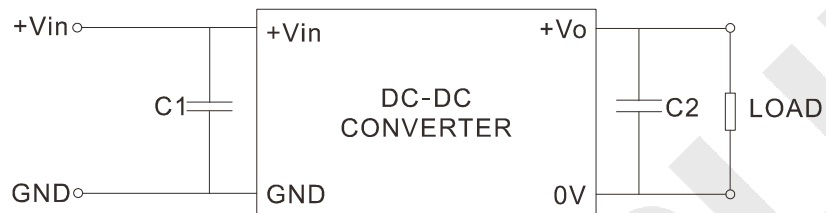
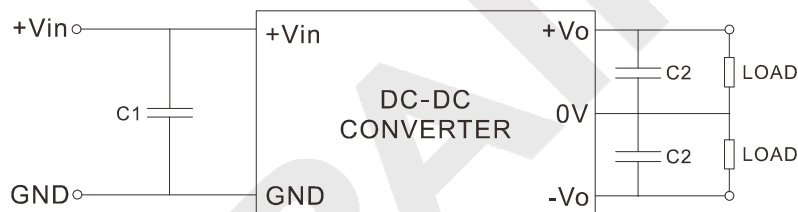
DNV-5 SERIES, 5WATT, 2:1 INPUT RANGE
MECHANICAL

CONNECTION

PIN #	SINGLE	DUAL
2	GND	GND
3	GND	GND
9	NC	0V
10	No Pin	No Pin
11	NC	-Vo2
14	+Vo	+Vo1
15	No Pin	No Pin
16	0V	0V
22	+Vin	+Vin
23	+Vin	+Vin

Note:

* Unit is mm(inch).

ELECTRICAL CURVE


DNV-5 SERIES, 5WATT, 2:1 INPUT RANGE
NOTES
RECOMMENDED TEST AND APPLICATION CIRCUIT
SINGLE OUTPUT

DUAL OUTPUT

CAPACITOR SELECTION

INPUT VOLTAGE	C1	SINGLE OUTPUT	C2	DUAL OUTPUT	C2
5VDC	100 μ F	5VDC	470 μ F	\pm 5VDC	220 μ F
12VDC	47 μ F	9VDC	220 μ F	\pm 9VDC	100 μ F
24VDC	47 μ F	12VDC	100 μ F	\pm 12VDC	47 μ F
48VDC	10 μ F	15VDC	100 μ F	\pm 15VDC	47 μ F
--	--	24VDC	47 μ F	\pm 24VDC	22 μ F

DNV-5F SERIES, 5WATT, 2:1 INPUT RANGE

FEATURES:

- ✓ 3000Vdc isolation voltage
- ✓ Metal/Plastic case with low ripple and noise
- ✓ Short circuit and input under voltage protection
- ✓ Operating temperature range -40°C to +85°C
- ✓ 3 year warranty



Model	Input voltage (Vdc)	Output voltage (Vdc)	Output current (mA)	Efficiency Typ.
DNV5-0511F	5(4.5~9)	5	1000	74%
DNV5-0515F		9	555	77%
DNV5-0512F		12	410	82%
DNV5-0513F		15	330	79%
DNV5-0514F		24	210	79%
DNV5-0521F		±5	500	74%
DNV5-0525F		±9	278	78%
DNV5-0522F		±12	205	77%
DNV5-0523F		±15	165	81%
DNV5-0524F		±24	100	81%
DNV5-1211F	12(9~18)	5	1000	78%
DNV5-1215F		9	555	80%
DNV5-1212F		12	410	81%
DNV5-1213F		15	330	81%
DNV5-1214F		24	210	81%
DNV5-1221F		±5	500	79%
DNV5-1225F		±9	278	81%
DNV5-1222F		±12	205	81%
DNV5-1223F		±15	165	82%
DNV5-1224F		±24	100	83%
DNV5-2411F	24(18~36)	5	1000	79%
DNV5-2415F		9	555	80%
DNV5-2412F		12	410	81%
DNV5-2413F		15	330	81%
DNV5-2414F		24	210	83%
DNV5-2421F		±5	500	79%
DNV5-2425F		±9	278	80%
DNV5-2422F		±12	205	81%

DNV-5F SERIES, 5WATT, 2:1 INPUT RANGE

Model	Input voltage (Vdc)	Output voltage (Vdc)	Output current (mA)	Efficiency Typ.
DNV5-2423F	24(18~36)	±15	165	82%
DNV5-2424F		±24	100	83%
DNV5-4811F	48(36~72)	5	1000	81%
DNV5-4815F		9	555	81%
DNV5-4812F		12	410	81%
DNV5-4813F		15	330	83%
DNV5-4814F		24	210	84%
DNV5-4821F		±5	500	79%
DNV5-4825F		±9	278	80%
DNV5-4822F		±12	205	81%
DNV5-4823F		±15	165	82%
DNV5-4824F		±24	100	82%

Notes: other input and output models may available on request.

Above models are default to plastic case, you may request for the models with metal case, plus "M" in the suffix.

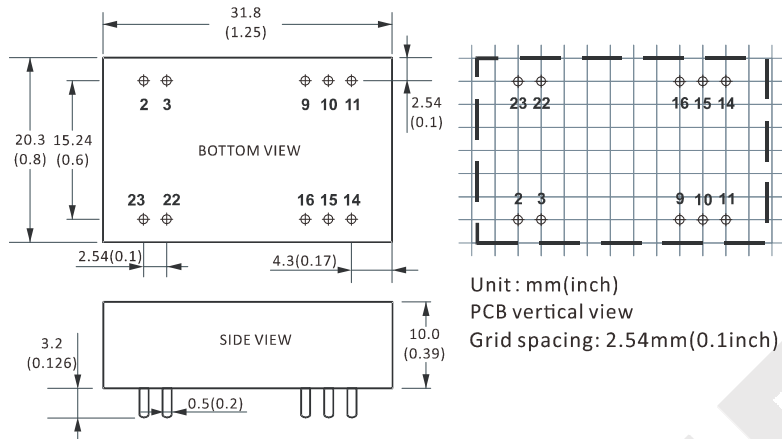
ELECTRICAL

Output voltage accuracy (Full voltage, full load)	+Vo -Vo	±2% max. ±3% max.
Line regulation	Nominal Load, full voltage	±0.5% max.
Load regulation	20% ~ 100% full load	±2% max.
Ripple and noise	20MHz BM, full load	100mVp-p max.
Operating frequency	Typical value	300KHz typ.
Isolation voltage (<1mA/min)	Input to output	3000Vdc
Isolation resistance	---	1000mΩ
Temperature coefficient	---	±0.03%/°C max.
Operating temperature range	---	-40°C to +85°C
Storage temperature range	---	-55°C to +125°C
Short circuit protection	---	Continuous, auto-recovery
Relative humidity	---	10%-90%
MTBF	Bellcore TR-332, 25°C	1000KHrs
Weight	---	18g

Notes: All the parameters are measured at 25°C ambient temperature, humidity < 75%, nominal input voltage, full load and after warm-up, unless otherwise specified.

DNV-5F SERIES, 5WATT, 2:1 INPUT RANGE

MECHANICAL



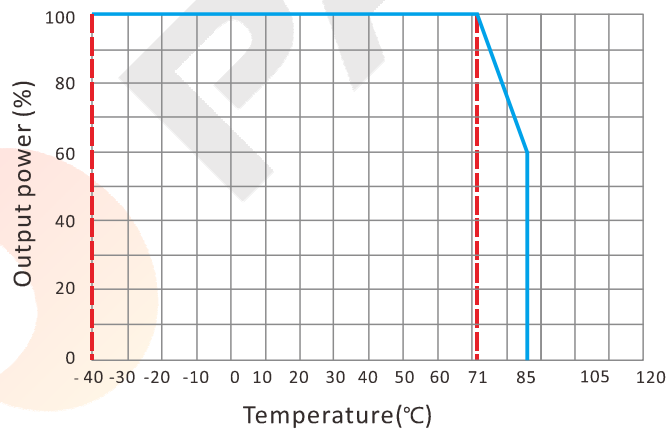
CONNECTION

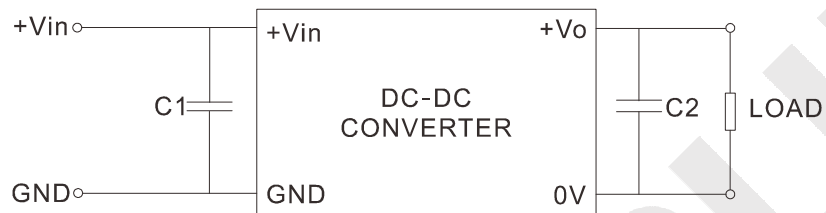
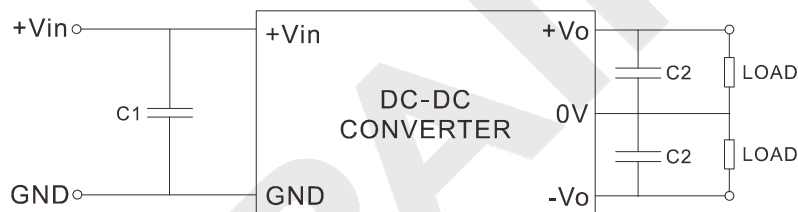
PIN #	SINGLE	DUAL
2	GND	GND
3	GND	GND
9	NC	0V
10	No Pin	No Pin
11	NC	-Vo2
14	+Vo	+Vo1
15	No Pin	No Pin
16	0V	0V
22	+Vin	+Vin
23	+Vin	+Vin

Note:

* Unit is mm(inch).

ELECTRICAL CURVE



DNV-5F SERIES, 5WATT, 2:1 INPUT RANGE
NOTES
RECOMMENDED TEST AND APPLICATION CIRCUIT
SINGLE OUTPUT

DUAL OUTPUT

CAPACITOR SELECTION

INPUT VOLTAGE	C1	SINGLE OUTPUT	C2	DUAL OUTPUT	C2
5VDC	100 μ F	5VDC	470 μ F	\pm 5VDC	220 μ F
12VDC	47 μ F	9VDC	220 μ F	\pm 9VDC	100 μ F
24VDC	47 μ F	12VDC	100 μ F	\pm 12VDC	47 μ F
48VDC	10 μ F	15VDC	100 μ F	\pm 15VDC	47 μ F
--	--	24VDC	47 μ F	\pm 24VDC	22 μ F

DNV-5W SERIES, 5WATT, 4:1 INPUT RANGE
FEATURES:

- ✓ 1500Vdc isolation voltage
- ✓ Metal/Plastic case with low ripple and noise
- ✓ Short circuit and input under voltage protection
- ✓ Operating temperature range -40°C to +85°C
- ✓ 3 year warranty



Model	Input voltage (Vdc)	Output voltage (Vdc)	Output current (mA)	Efficiency Typ.
DNV5W-2411	24(9~36)	5	1000	81%
DNV5W-2415		9	555	80%
DNV5W-2412		12	410	81%
DNV5W-2413		15	330	81%
DNV5W-2414		24	210	82%
DNV5W-2421		±5	500	79%
DNV5W-2425		±9	278	80%
DNV5W-2422		±12	205	81%
DNV5W-2423		±15	165	82%
DNV5W-2424		±24	100	83%
DNV5W-4811	48(18~72)	5	1000	81%
DNV5W-4815		9	555	81%
DNV5W-4812		12	410	81%
DNV5W-4813		15	330	83%
DNV5W-4814		24	210	83%
DNV5W-4821		±5	500	79%
DNV5W-4825		±9	278	80%
DNV5W-4822		±12	205	81%
DNV5W-4823		±15	165	82%
DNV5W-4824		±24	100	83%

Notes: other input and output models may available on request.

Above models are default to plastic case, you may request for the models with metal case, plus "M" in the suffix.

ELECTRICAL

Output voltage accuracy (Full voltage, full load)	+Vo	±2% max.
	-Vo	±3% max.
Line regulation	Nominal Load, full voltage	±0.5% max.
Load regulation	20% ~ 100% full load	±1% max.
Ripple and noise	20MHz BM, full load	100mVp-p max.
Operating frequency	Typical value	300KHz max.

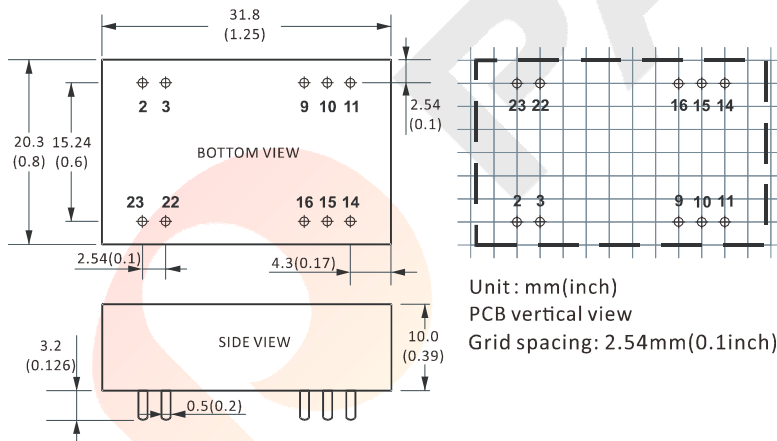
DNV-5W SERIES, 5WATT, 4:1 INPUT RANGE

ELECTRICAL

Isolation voltage (<1mA/min)	Input to output	1500Vdc
Isolation resistance	---	1000mΩ
Temperature coefficient	---	±0.03%/°C max.
Operating temperature range	---	-40°C to +85°C
Storage temperature range	---	-55°C to +125°C
Short circuit protection	---	Continuous, auto-recovery
Relative humidity	---	10%-90%
MTBF	Bellcore TR-332, 25°C	1000KHrs
Weight	---	18g

Notes: All the parameters are measured at 25°C ambient temperature, humidity < 75%, nominal input voltage, full load and after warm-up, unless otherwise specified.

MECHANICAL

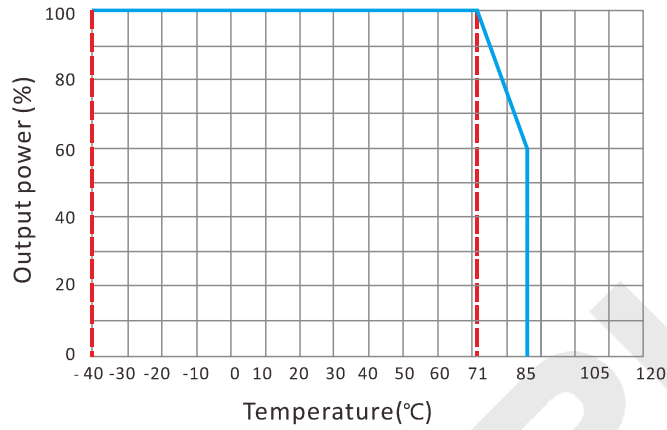
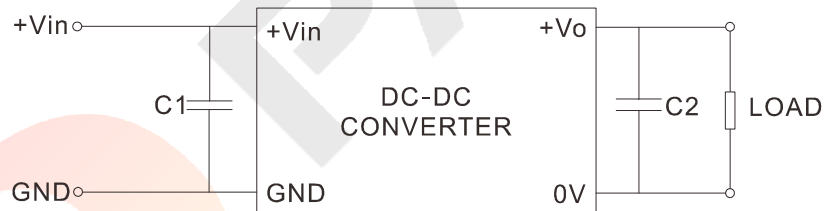
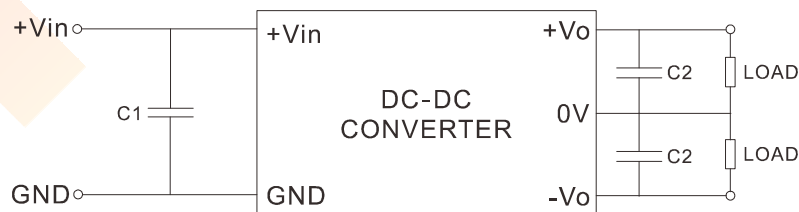


CONNECTION

PIN #	SINGLE	DUAL
2	GND	GND
3	GND	GND
9	NC	0V
10	No Pin	No Pin
11	NC	-Vo2
14	+Vo	+Vo1
15	No Pin	No Pin
16	0V	0V
22	+Vin	+Vin
23	+Vin	+Vin

Note:

* Unit is mm(inch).

DNV-5W SERIES, 5WATT, 4:1 INPUT RANGE
ELECTRICAL CURVE

NOTES
RECOMMENDED TEST AND APPLICATION CIRCUIT
SINGLE OUTPUT

DUAL OUTPUT


DNV-5W SERIES, 5WATT, 4:1 INPUT RANGE

NOTES

CAPACITOR SELECTION

INPUT VOLTAGE	C1	SINGLE OUTPUT	C2	DUAL OUTPUT	C2
24VDC	100 μ F	5VDC	1000 μ F	\pm 5VDC	680 μ F
48VDC	47 μ F	9VDC	470 μ F	\pm 9VDC	330 μ F
--	--	12VDC	330 μ F	\pm 12VDC	220 μ F
--	--	15VDC	330 μ F	\pm 15VDC	220 μ F
--	--	24VDC	220 μ F	\pm 24VDC	100 μ F

DNV-5WF SERIES, 5WATT, 4:1 INPUT RANGE
FEATURES:

- ✓ 3000Vdc isolation voltage
- ✓ Metal/Plastic case with low ripple and noise
- ✓ Short circuit and input under voltage protection
- ✓ Operating temperature range -40°C to +85°C
- ✓ 3 year warranty



Model	Input voltage (Vdc)	Output voltage (Vdc)	Output current (mA)	Efficiency Typ.
DNV5W-2411F	24(9~36)	5	1000	81%
DNV5W-2415F		9	555	80%
DNV5W-2412F		12	410	81%
DNV5W-2413F		15	330	81%
DNV5W-2414F		24	210	82%
DNV5W-2421F		±5	500	79%
DNV5W-2425F		±9	278	80%
DNV5W-2422F		±12	205	81%
DNV5W-2423F		±15	165	82%
DNV5W-2424F		±24	100	83%
DNV5W-4811F	48(18~72)	5	1000	81%
DNV5W-4815F		9	555	81%
DNV5W-4812F		12	410	81%
DNV5W-4813F		15	330	83%
DNV5W-4814F		24	210	83%
DNV5W-4821F		±5	500	79%
DNV5W-4825F		±9	278	80%
DNV5W-4822F		±12	205	81%
DNV5W-4823F		±15	165	82%
DNV5W-4824F		±24	100	83%

Notes: other input and output models may available on request.

Above models are default to plastic case, you may request for the models with metal case, plus "M" in the suffix.

ELECTRICAL

Output voltage accuracy (Full voltage, full load)	+Vo	±2% max.
	-Vo	±3% max.
Line regulation	Nominal Load, full voltage	±0.5% max.
Load regulation	20% ~ 100% full load	±1% max.
Ripple and noise	20MHz BM, full load	100mVp-p max.
Operating frequency	Typical value	300KHz max.

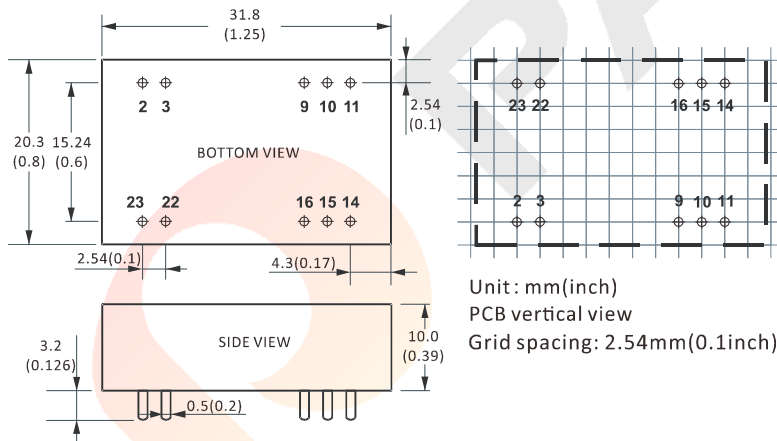
DNV-5WF SERIES, 5WATT, 4:1 INPUT RANGE

ELECTRICAL

Isolation voltage (<1mA/min)	Input to output	3000Vdc
Isolation resistance	---	1000mΩ
Temperature coefficient	---	±0.03%/°C max.
Operating temperature range	---	-40°C to +85°C
Storage temperature range	---	-55°C to +125°C
Short circuit protection	---	Continuous, auto-recovery
Relative humidity	---	10%-90%
MTBF	Bellcore TR-332, 25°C	1000KHrs
Weight	---	18g

Notes: All the parameters are measured at 25°C ambient temperature, humidity < 75%, nominal input voltage, full load and after warm-up, unless otherwise specified.

MECHANICAL

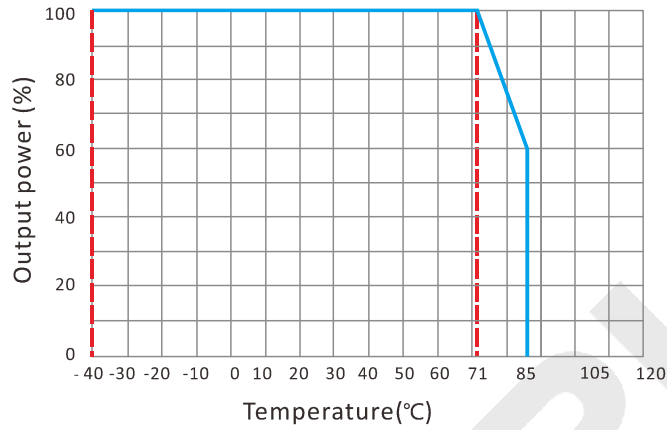
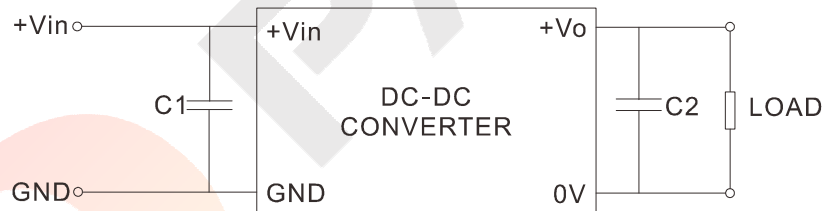
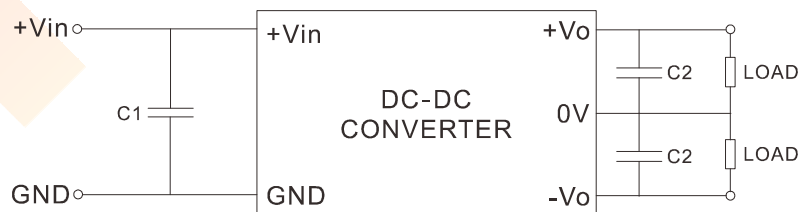


CONNECTION

PIN #	SINGLE	DUAL
2	GND	GND
3	GND	GND
9	NC	0V
10	No Pin	No Pin
11	NC	-Vo2
14	+Vo	+Vo1
15	No Pin	No Pin
16	0V	0V
22	+Vin	+Vin
23	+Vin	+Vin

Note:

* Unit is mm(inch).

DNV-5WF SERIES, 5WATT, 4:1 INPUT RANGE
ELECTRICAL CURVE

NOTES
RECOMMENDED TEST AND APPLICATION CIRCUIT
SINGLE OUTPUT

DUAL OUTPUT


DNV-5WF SERIES, 5WATT, 4:1 INPUT RANGE

NOTES

CAPACITOR SELECTION

INPUT VOLTAGE	C1	SINGLE OUTPUT	C2	DUAL OUTPUT	C2
24VDC	100 μ F	5VDC	1000 μ F	\pm 5VDC	680 μ F
48VDC	47 μ F	9VDC	470 μ F	\pm 9VDC	330 μ F
--	--	12VDC	330 μ F	\pm 12VDC	220 μ F
--	--	15VDC	330 μ F	\pm 15VDC	220 μ F
--	--	24VDC	220 μ F	\pm 24VDC	100 μ F