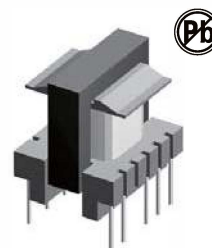


1-6W E16-SINGLE OUTPUT FLYBACK TRANSFORMERS FAT74001,74002 SERIES



FEATURES

Primary / Secondary Insulation $\geq 4000V$
 Primary Auxillary Insulation $\geq 1500V$
 Creepage distances Primary / secondary $\geq 6mm$

OPTIONS

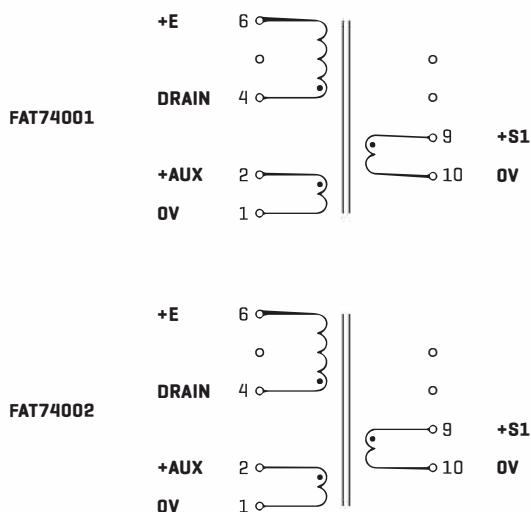
Bulk packaging is standard
 Custom design available

COMMON APPLICATIONS

AC-DC converters
 DC-DC converters
 Switch Power supplies
 SMPS: Flyback, Forward and Push-pull
 SMPS: Half Bridge and Full Bridge

TECHNICAL INFORMATION

Ambient temperature $< 60^{\circ}C$
 Construction confirms to CEI950, CEI335, CEI61558 for reinforced insulation
 Exclusively uses UL94-V0 listed materials



Note: PIN 3 Removed, PCB Drilling Diameter = 1.1mm

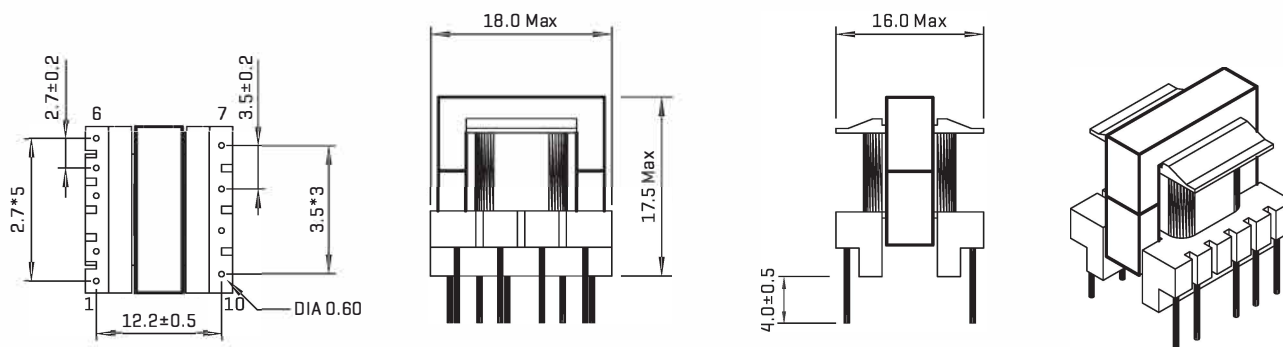
ELECTRICAL CHARACTERISTICS AT 25°C

Control IC Manufacturer	Input voltage	Power	Frequency
Infineon	185-265Vrms	6 W	100 kHz
Motorola	85-265Vrms	6 W	100 kHz
Power Integrations	85-265Vrms	6 W	132 kHz
ST Microelectronics	85-265Vrms	6 W	70 kHz
ST Microelectronics	85-265Vrms	3 W	40 kHz

SIZE E16 - SINGLE OUTPUT : 5 or 12V - FLYBACK TRANSFORMER						
Part Number	Output Power max	Windings				
		Pins	Turns	Voltage	Current max	Inductance [+/-10%]
FAT 74001	6W	Pri 4-6	138	85-265Vrms	0.35 Apeak	3000μH
		Aux 2-1	16	8-16Vdc	0.1 Adc	
		S1 9-10	8	3-6Vdc	1.2 Adc	
FAT 74002	6W	Pri 4-6	150	85-265Vrms	0.38 Apeak	3000μH
		Aux 2-1	22	8.5-17Vdc	0.1 Adc	
		S1 9-10	24	9-18Vdc	0.5 Adc	

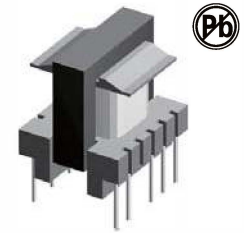
Note: Regulation with auxiliary winding

PHYSICAL CHARACTERISTICS



ALL DIMENSIONS IN MM

1-6W E16-2 OUTPUT FLYBACK TRANSFORMERS FAT74000,74003 SERIES



FEATURES

Primary / Secondary Insulation $\geq 4000V$
 Primary Auxiliary Insulation $\geq 1500V$
 Creepage distances Primary / secondary $\geq 6mm$

OPTIONS

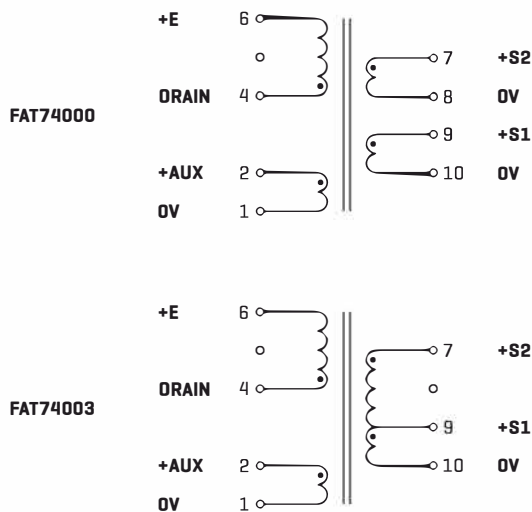
Bulk packaging is standard
 Custom design available

COMMON APPLICATIONS

AC-DC converters
 DC-DC converters
 Switch Power supplies
 SMPS: Flyback, Forward and Push-pull
 SMPS: Half Bridge and Full Bridge

TECHNICAL INFORMATION

Ambient temperature $< 70^{\circ}C$
 Construction conforms to CEI950, CEI335, CEI61558 for reinforced insulation
 Exclusively uses UL94-V0 listed materials



Note: PIN 3 Removed, PCB Drilling Diameter = 1.1mm

ELECTRICAL CHARACTERISTICS AT 25°C

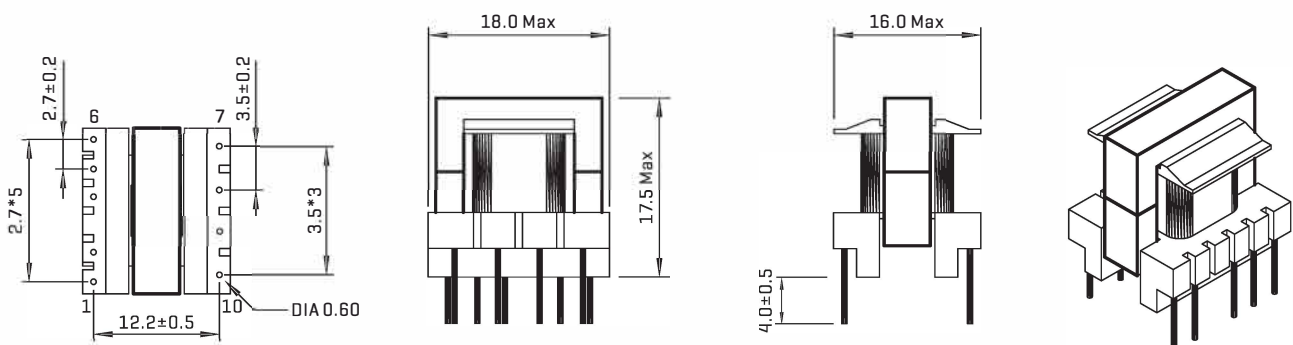
74000 E16 5w 5/12V			
Control IC Manufacturer	Input voltage	Power	Frequency
Power Integrations	85-265Vrms	5 W	132 kHz
ST Microelectronics	85-265Vrms	4 W	70 kHz

74003 E16 5w 5/12V			
Control IC Manufacturer	Input voltage	Power	Frequency
Infineon	185-265Vrms	6 W	100 kHz
Motorola	85-265Vrms	6 W	100 kHz
Power Integrations	85-265Vrms	5 W	132 kHz
ST Microelectronics	85-265Vrms	6 W	70 kHz
ST Microelectronics	85-265Vrms	3 W	40 kHz

SIZE E16 - SINGLE OUTPUT : 5 or 12V - FLYBACK TRANSFORMER						
Part Number	Output Power max	Windings				
		Pins	Turns	Voltage	Current max	Inductance [+/-10%]
FAT 74000	5W	Pri 4-6	138	85-265Vrms	0.27Apeak	3900μH
		Aux 2-1	16	7-14Vdc	0.1Adc	
		S1 9-10	8	3.3-7Vdc	1.2Adc	
		S2 7-8	19	8-17Vdc	0.4Adc	
FAT 74003	5W	Pri 4-6	120	85-265Vrms	0.3Apeak	3000μH
		Aux 2-1	17	8-16Vdc	0.1Adc	
		S1 9-10	5	2-4Vdc	1.8Adc	
		S2 7-10	7	3-6Vdc	1.2Adc	

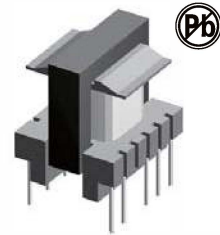
Note: Regulation with auxiliary winding

PHYSICAL CHARACTERISTICS



ALL DIMENSIONS IN MM

1-9W E16-SINGLE OUTPUT FLYBACK TRANSFORMERS FAT74090,74091 SERIES



FEATURES

Primary / Secondary Insulation $\geq 4000V$
 Creepage distances Primary / secondary $\geq 6mm$

OPTIONS

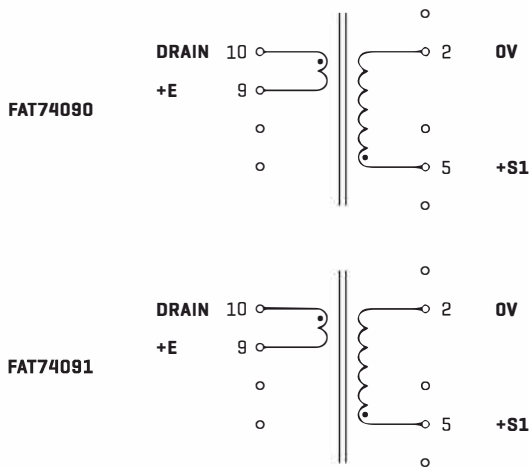
Bulk packaging is standard
 Custom design available

COMMON APPLICATIONS

AC-DC converters
 DC-DC converters
 Switch Power supplies
 SMPS: Flyback, Forward and Push-pull
 SMPS: Half Bridge and Full Bridge

TECHNICAL INFORMATION

Ambient temperature $< 85^{\circ}C$
 Construction confirms to CEI950, CEI335, CEI61558 for reinforced insulation
 Exclusively uses UL94-V0 listed materials



ELECTRICAL CHARACTERISTICS AT 25°C

74090			
Control IC Manufacturer	Input voltage	Power	Frequency
Power Integrations	85-265Vrms	1.5W	44kHz

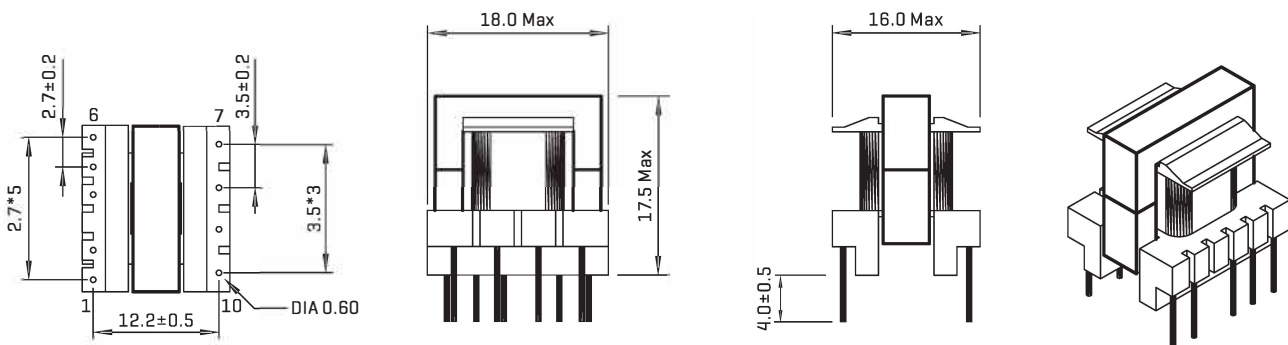
74091			
Control IC Manufacturer	Input voltage	Power	Frequency
Power Integrations	85-265Vrms	1.5W	44kHz

SIZE E16 - SINGLE OUTPUT : 5 or 12V - FLYBACK TRANSFORMER						
Part Number	Output Power max	Windings				
		Pins	Turns	Voltage	Current max	Inductance (+/-10%)
FAT 74090	1.5W	Pri 10-9	228	85-265Vrms	0.28 Apeak	6000 μ H
		S1 5-2	16	3.3-6Vdc	0.4 Adc	
FAT 74091	1.5W	Pri 10-9	228	85-265Vrms	0.28 Apeak	6000 μ H
		S1 5-2	28	7.5-15Vdc	0.2 Adc	

Note: PIN 3 Removed, PCB Drilling Diameter = 1.1mm

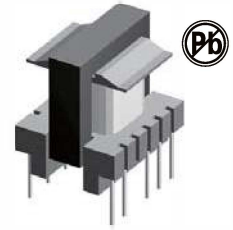
Note: Regulation with auxiliary winding

PHYSICAL CHARACTERISTICS



ALL DIMENSIONS IN MM

1-9W E16-SINGLE OUTPUT FLYBACK TRANSFORMERS FAT74092,74093 SERIES



FEATURES

Primary / Secondary Insulation $\geq 4000V$
 Creepage distances Primary / secondary $\geq 6mm$

OPTIONS

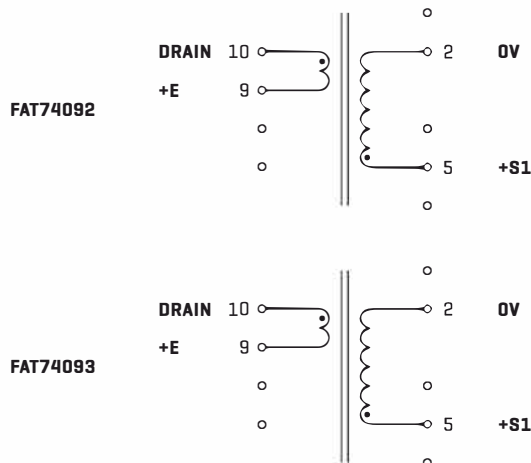
Bulk packaging is standard
 Custom design available

COMMON APPLICATIONS

AC-DC converters
 DC-DC converters
 Switch Power supplies
 SMPS: Flyback, Forward and Push-pull
 SMPS: Half Bridge and Full Bridge

TECHNICAL INFORMATION

Ambient temperature $< 70^{\circ}C$
 Construction confirms to CEI950, CEI335, CEI61558 for reinforced insulation
 Exclusively uses UL94-V0 listed materials



ELECTRICAL CHARACTERISTICS AT 25°C

74092			
Control IC Manufacture	Input voltage	Power	Frequency
Power Integrations	85-265Vrms	3.1W	44kHz

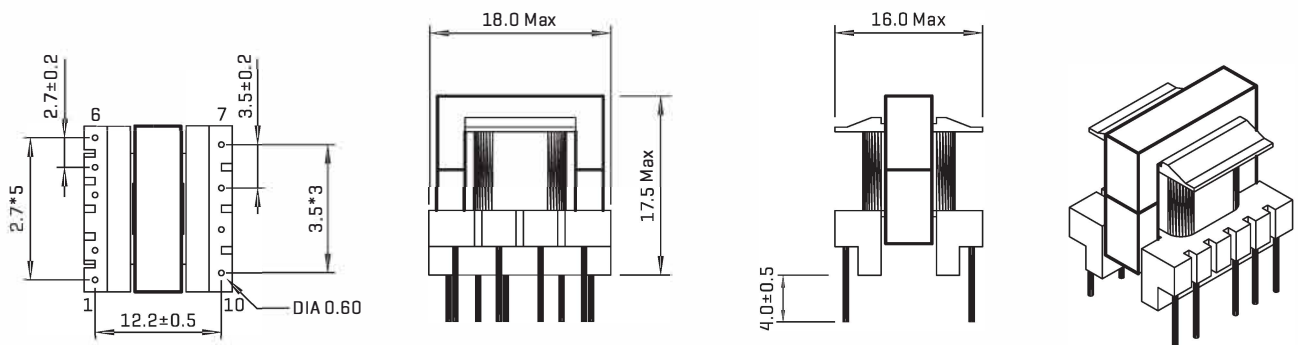
74093			
Control IC Manufacturer	Input voltage	Power	Frequency
Power Integrations	85-265Vrms	3.1W	44kHz

SIZE E16 - SINGLE OUTPUT : 5 or 12V - FLYBACK TRANSFORMER						
Part Number	Output Power max	Windings				
		Pins	Turns	Voltage	Current max	Inductance [+/-10%]
FAT 74092	3.1W	Pri 10-9	191	85-265Vrms	0.34Apeak	4200μH
		S1 5-2	13	3.3-6Vdc	0.9Adc	
FAT 74093	3.1W	Pri 10-9	191	85-265Vrms	0.34Apeak	4200μH
		S1 5-2	24	7.5-15Vdc	0.4Adc	

Note: PIN 3 Removed, PCB Drilling Diameter = 1.1mm

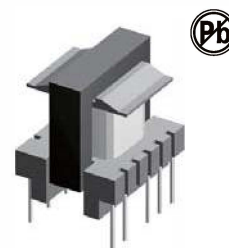
Note: Regulation with auxiliary winding

PHYSICAL CHARACTERISTICS



ALL DIMENSIONS IN MM

1-9W E16-SINGLE OUTPUT FLYBACK TRANSFORMERS FAT74094,74095 SERIES



FEATURES

Primary / Secondary Insulation $\geq 4000V$
 Creepage distances Primary / secondary $\geq 6mm$

OPTIONS

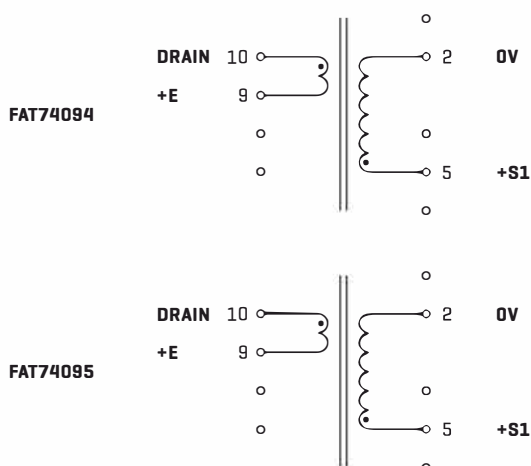
Bulk packaging is standard
 Custom design available

COMMON APPLICATIONS

AC-DC converters
 DC-DC converters
 Switch Power supplies
 SMPS: Flyback, Forward and Push-pull
 SMPS: Half Bridge and Full Bridge

TECHNICAL INFORMATION

Ambient temperature $< 60^{\circ}C$
 Construction conforms to CEI950, CEI335, CEI61558 for reinforced insulation
 Exclusively uses UL94-V0 listed materials



Note: PIN 3 Removed, PCB Drilling Diameter = 1.1mm

ELECTRICAL CHARACTERISTICS AT 25°C

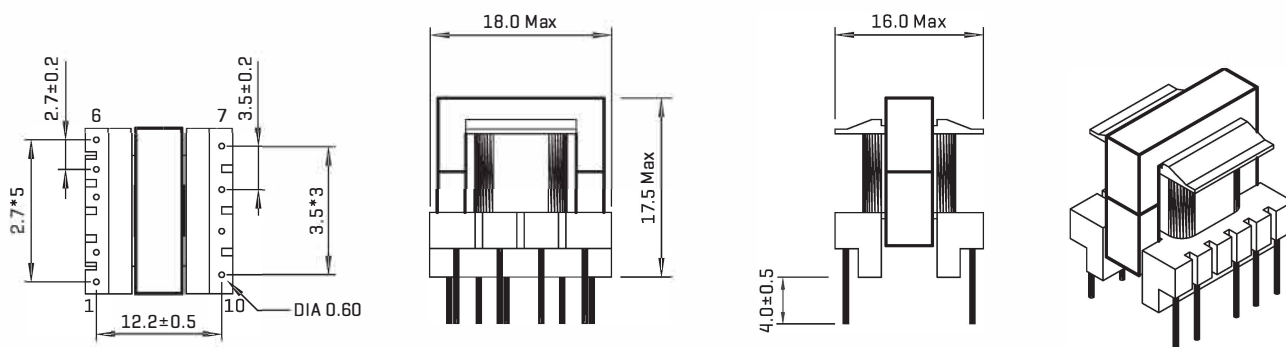
		74094		
Control IC Manufacturer	Input voltage	Power	Frequency	
Power Integrations	85-265Vrms	4.2 w	44 kHz	
Power Integrations	85-265Vrms	5 w	132 kHz	
Power Integrations	85-265Vrms	9 w	132 kHz	

		74095		
Control IC Manufacturer	Input voltage	Power	Frequency	
Power Integrations	85-265Vrms	5 w	44 kHz	
Power Integrations	85-265Vrms	5 w	132 kHz	
Power Integrations	85-265Vrms	9 w	132 kHz	

SIZE E16 - SINGLE OUTPUT : 5 or 12V TRANSFORMER FOR TINYSWITCH						
Part Number	Output Power max	Windings				
		Pins	Turns	Voltage	Current max	Inductance [+/-10%]
FAT 74094	9W	Pri 10-9	135	85-265Vrms	0.48Apeak	2100μH
		S1 5-2	9	3.3-6Vdc	1.5Adc	
FAT 74095	9W	Pri 10-9	135	85-265Vrms	0.48Apeak	2100μH
		S1 5-2	17	7.5-15Vdc	0.9Adc	

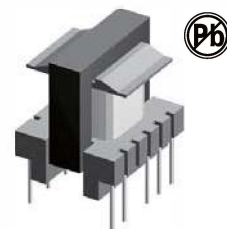
Note: Regulation with auxiliary winding

PHYSICAL CHARACTERISTICS



ALL DIMENSIONS IN MM

6-12W E16-2 OUTPUT FLYBACK TRANSFORMERS FAT74010 SERIES



FEATURES

Primary / Secondary Insulation $\geq 4000V$
 Primary Auxiliary Insulation $\geq 1500V$
 Creepage distances Primary / secondary $\geq 6mm$

OPTIONS

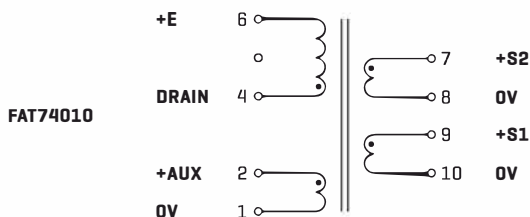
Bulk packaging is standard
 Custom design available

COMMON APPLICATIONS

AC-DC converters
 DC-DC converters
 Switch Power supplies
 SMPS: Flyback, Forward and Push-pull
 SMPS: Half Bridge and Full Bridge

TECHNICAL INFORMATION

Ambient temperature $< 50^{\circ}C$
 Construction conforms to CEI950, CEI335, CEI61558 for reinforced insulation
 Exclusively uses UL94-V0 listed materials



ELECTRICAL CHARACTERISTICS AT 25°C

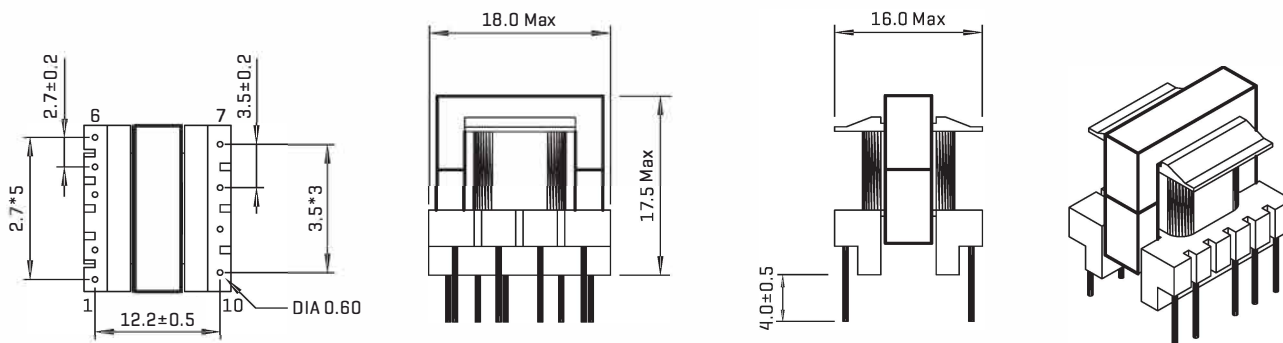
Control IC Manufacturer	Input voltage	Power	Frequency
Fairchild	185-265Vrms	10 w	100 kHz
Fairchild	85-265Vrms	7 w	50 kHz
Infineon	92-265Vrms	7.5 w	100 kHz
Infineon	185-265Vrms	10 w	100 kHz
Motorola	85-265Vrms	8 w	100 kHz
Motorola	185-265Vrms	10 w	100 kHz
Power Integrations	185-265Vrms	12 w	132 kHz
Power Integrations	85-265Vrms	10 w	132 kHz
Power Integrations	185-265Vrms	12 w	132 kHz
Power Integrations	85-265Vrms	10 w	132 kHz
ST Microelectronics	85-265Vrms	8 w	70 kHz
ST Microelectronics	185-265Vrms	10 w	70 kHz

SIZE E16 - 2 OUTPUTS : 5 & 12V - FLYBACK TRANSFORMER							
Part Number	Output Power max	Windings				Inductance max [+/-10%]	
		Pins	Turns	Voltage	Current max		
FAT 74010	12W	Pri	4-6	120	85-265Vrms	0.55Apeak	1660µH
		Aux	2-1	14	7-14Vdc	0.1 Adc	
		S1	9-10	7	3.3-7Vdc	2 Adc	
		S2	7-8	17	8-17Vdc	1 Adc	

Note: PIN 3 Removed, PCB Drilling Diameter = 1.1mm

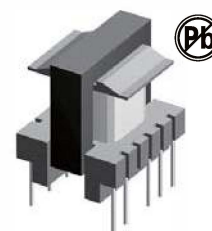
Note: Regulation with auxiliary winding

PHYSICAL CHARACTERISTICS



ALL DIMENSIONS IN MM

6-12W E16-2 OUTPUT FLYBACK TRANSFORMERS FAT74014 SERIES



FEATURES

Primary / Secondary Insulation $\geq 4000V$
 Creepage distances Primary / secondary $\geq 6mm$

OPTIONS

Bulk packaging is standard
 Custom design available

COMMON APPLICATIONS

AC-DC converters
 DC-DC converters
 Switch Power supplies
 SMPS: Flyback, Forward and Push-pull
 SMPS: Half Bridge and Full Bridge

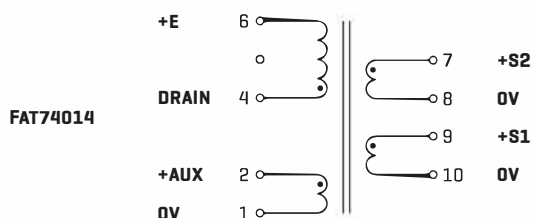
TECHNICAL INFORMATION

Ambient temperature $< 50^{\circ}C$
 Construction conforms to CEI950, CEI335, CEI61558 for reinforced insulation
 Exclusively uses UL94-V0 listed materials

Typical outputs : + 24V 0.5A with S1 - S2 in parallel
 + 48V 0.25A with S1 - S2 in series [8-9 connected]
 +15V / -15V 0.4A with pins 8-9 connected to 0V

ELECTRICAL CHARACTERISTICS

Control IC Manufacturer	Input voltage	Power	Frequency
Power Integrations	185-265Vrms	12 w	132 kHz
Power Integrations	85-265Vrms	8 w	132 kHz
Power Integrations	185-265Vrms	12 w	132 kHz
Power Integrations	85-265Vrms	8 w	132 kHz

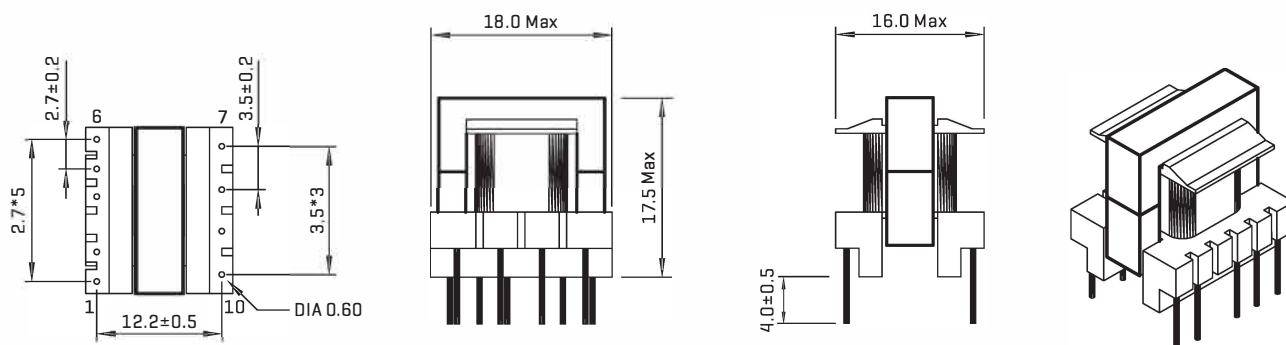


SIZE E16 - 2 OUTPUTS : 5 & 12V - FLYBACK TRANSFORMER						
Part Number	Output Power max	Windings			Current max	Inductance [+/- -10%]
		Pins	Turns	Voltage		
FAT 74014	12W	Pri	4-6	120	85-265Vrms	0.5 Apeak
		Aux	2-1	17	9-18 Vdc	0.2 Adc
		S1	9-10	27	15-30 Vdc	0.4 Adc
		S2	7-8	27	15-30 Vdc	0.4 Adc

Note: PIN 3 Removed, PCB Drilling Diameter = 1.1mm

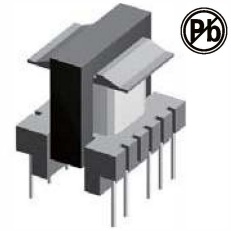
Note: Regulation with auxiliary winding

PHYSICAL CHARACTERISTICS



ALL DIMENSIONS IN MM

6-12W E16-3 OUTPUT FLYBACK TRANSFORMERS FAT74015 SERIES



FEATURES

Primary / Secondary Insulation $\geq 4000V$
 Creepage distances Primary / secondary $\geq 6mm$

OPTIONS

Bulk packaging is standard
 Custom design available

COMMON APPLICATIONS

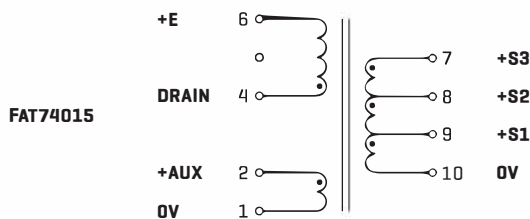
AC-DC converters
 DC-DC converters
 Switch Power supplies
 SMPS: Flyback, Forward and Push-pull
 SMPS: Half Bridge and Full Bridge

TECHNICAL INFORMATION

Ambient temperature $< 50^{\circ}C$
 Construction conforms to CEI950, CEI335, CEI61558 for reinforced insulation
 Exclusively uses UL94-V0 listed materials

ELECTRICAL CHARACTERISTICS

Control IC Manufacturer	Input voltage	Power	Frequency
Power Integrations	185-265Vrms	10 w	132 kHz
Power Integrations	85-265Vrms	8 w	132 kHz
Power Integrations	185-265Vrms	12 w	132 kHz
Power Integrations	85-265Vrms	9 w	132 kHz

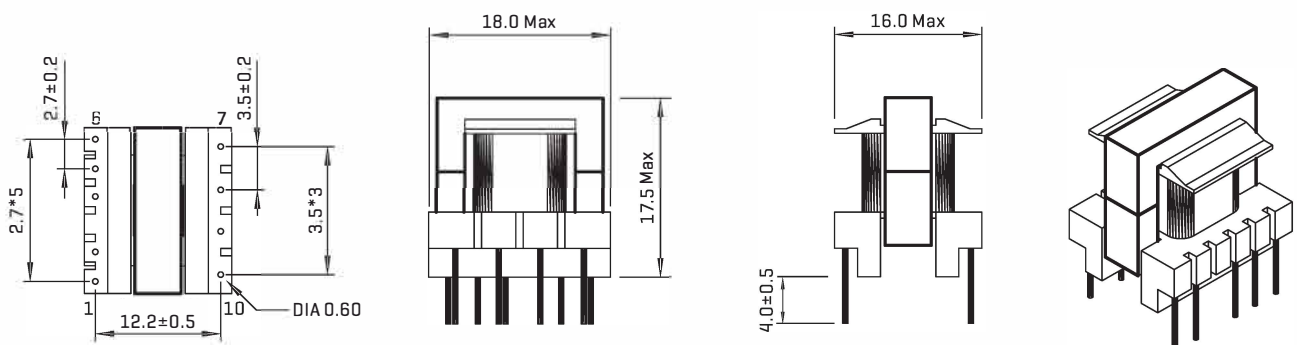


SIZE E16 - 3 OUTPUTS : 5 & 12V - FLYBACK TRANSFORMER						
Part Number	Output Power max	Windings			Current max	Inductance [+/-10%]
		Pins	Turns	Voltage		
FAT 74015	12W	Pri	4-6	120	85-265Vrms	0.5 Apeak
		Aux	2-1	14	12 Vdc	0.2 Adc
		S1	9-10	6	5 Vdc	1.5 Adc
		S2	8-10	17	15 Vdc	0.6 Adc
		S3	7-10	27	24 Vdc	0.4 Adc

Note: PIN 3 Removed, PCB Drilling Diameter = 1.1mm

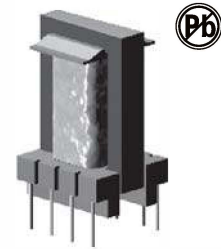
Note: Regulation with auxiliary winding

PHYSICAL CHARACTERISTICS



ALL DIMENSIONS IN MM

10-18W E19-2 OUTPUT FLYBACK TRANSFORMERS FAT74020 SERIES



FEATURES

Primary / Secondary Insulation $\geq 4000V$
 Primary Auxiliary Insulation $\geq 1500V$
 Creepage distances Primary / secondary $\geq 6mm$

OPTIONS

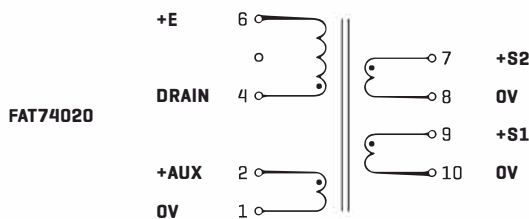
Bulk packaging is standard
 Custom design available

COMMON APPLICATIONS

AC-DC converters
 DC-DC converters
 Switch Power supplies
 FAPS: Flyback, Forward and Push-pull
 FAPS: Half Bridge and Full Bridge

TECHNICAL INFORMATION

Ambient temperature $< 50^{\circ}C$
 Construction conforms to CEI950, CEI335, CEI61558 for reinforced insulation
 Exclusively uses UL94-V0 listed materials



ELECTRICAL CHARACTERISTICS

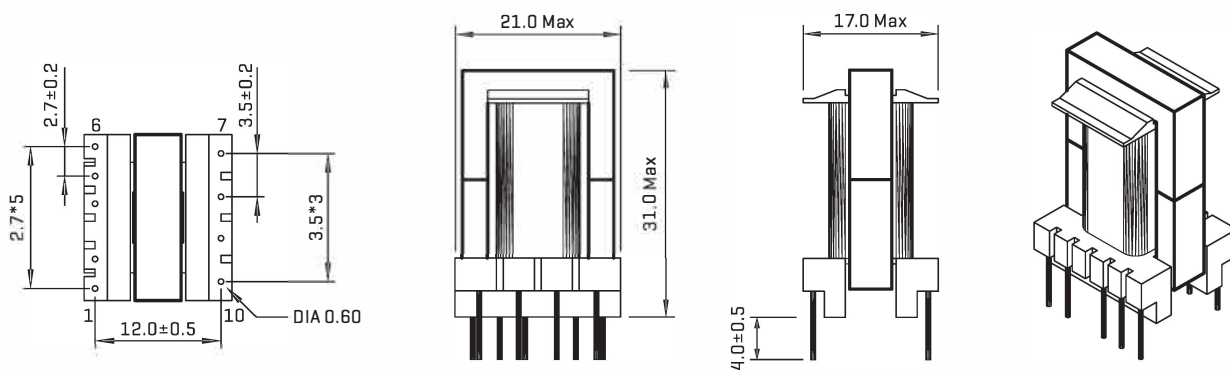
Control IC Manufacturer	Input voltage	Power	Frequency
Power Integrations	185-265Vrms	18 w	132 kHz
Power Integrations	185-265Vrms	18 w	132 kHz
Power Integrations	85-265Vrms	12 w	132 kHz
ST Microelectronics	85-265Vrms	10 w	100 kHz
ST Microelectronics	185-265Vrms	12 w	100 kHz
ST Microelectronics	185-265Vrms	16 w	100 kHz
Motorola	185-265Vrms	16 w	100 kHz
Infineon	185-265Vrms	16 w	70 kHz

Part Number	Output Power max	SIZE EL19 - 2 OUTPUTS : 5 & 12V - FLYBACK TRANSFORMER					
		Windings					
		Pins	Turns	Voltage	Current max	Inductance max [+/-10%]	
FAT 74020	18W	Pri	4-6	108	85-265Vrms	0.8 Apeak	1250μH
		Aux	2-1	12	7-14 Vdc	0.1 Adc	
		S1	9-10	6	3.3-7 Vdc	3 Adc	
		S2	7-8	14	8-16.5 Vdc	1.4 Adc	

Note: PIN 3 Removed, PCB Drilling Diameter = 1.1mm

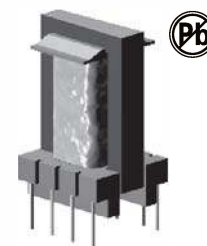
Note: Regulation with auxiliary winding

PHYSICAL CHARACTERISTICS



ALL DIMENSIONS IN MM

10-18W EL19-2 OUTPUT FLYBACK TRANSFORMERS FAT74021 SERIES



FEATURES

Primary / Secondary Insulation $\geq 4000V$
 Primary Auxiliary Insulation $\geq 1500V$
 Creepage distances Primary / secondary $\geq 6mm$

OPTIONS

Bulk packaging is standard
 Custom design available

COMMON APPLICATIONS

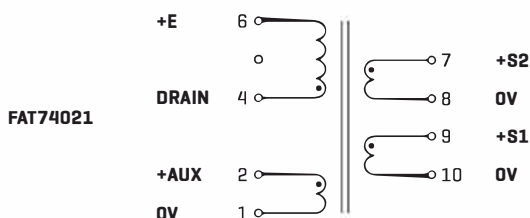
AC-DC converters
 DC-DC converters
 Switch Power supplies
 FAPS: Flyback, Forward and Push-pull
 FAPS: Half Bridge and Full Bridge

TECHNICAL INFORMATION

Ambient temperature $< 50^{\circ}C$
 Construction confirms to CEI950, CEI335, CEI61558 for reinforced insulation
 Exclusively uses UL94-V0 listed materials

ELECTRICAL CHARACTERISTICS

Control IC Manufacture	Input voltage	Power	Frequency
Power Integrations	185-265Vrms	18 w	132kHz
Power Integrations	85-265Vrms	12 w	66/132kHz
ST Microelectronics	85-265Vrms	13 w	70kHz
Motorola	85-265Vrms	13 w	100kHz
Infineon	92-265Vrms	10 w	100kHz

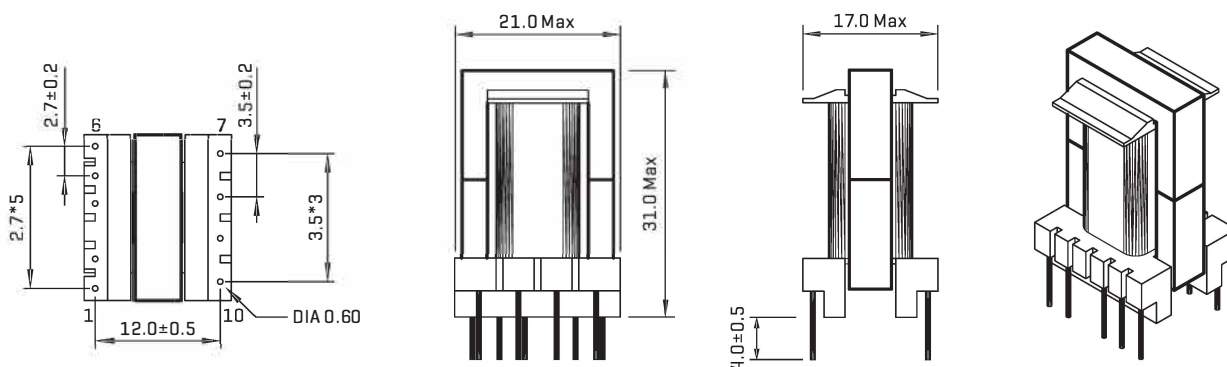


SIZE EL19 - 2 OUTPUTS : 5 & 12V - FLYBACK TRANSFORMER						
Part Number	Output Power max	Windings			Current max	Inductance max [+/-10%]
		Pins	Turns	Voltage		
FAT 74021	18W	Pri	4-6	108	85-265Vrms	1.1Apeak
		Aux	2-1	12	7-14 Vdc	0.1 Adc
		S1	9-10	6	3.3-7 Vdc	3 Adc
		S2	7-8	14	8-16.5 Vdc	1.4 Adc

Note: PIN 3 Removed, PCB Drilling Diameter = 1.1mm

Note: Regulation with auxiliary winding

PHYSICAL CHARACTERISTICS



ALL DIMENSIONS IN MM

10-18W EL19-5 OUTPUT FLYBACK TRANSFORMERS FAT74023 SERIES



FEATURES

Primary / Secondary Insulation $\geq 4000V$
 Primary Auxiliary Insulation $\geq 1500V$
 Creepage distances Primary / secondary $\geq 6mm$

OPTIONS

Bulk packaging is standard
 Custom design available

COMMON APPLICATIONS

AC-DC converters
 DC-DC converters
 Switch Power supplies
 FAPS: Flyback, Forward and Push-pull
 FAPS: Half Bridge and Full Bridge

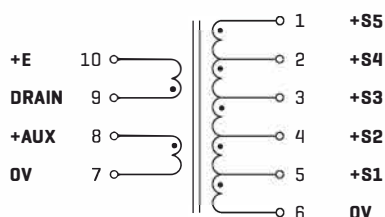
TECHNICAL INFORMATION

Ambient temperature $< 60^{\circ}C$
 Construction conforms to CEI950, CEI335, CEI61558 for reinforced insulation
 Exclusively uses UL94-V0 listed materials

ELECTRICAL CHARACTERISTICS

Control IC Manufacturer	Input voltage	Power	Frequency
Power Integrations	185-265Vrms	16 w	132 kHz
Power Integrations	85-265Vrms	12 w	132 kHz

FAT74023

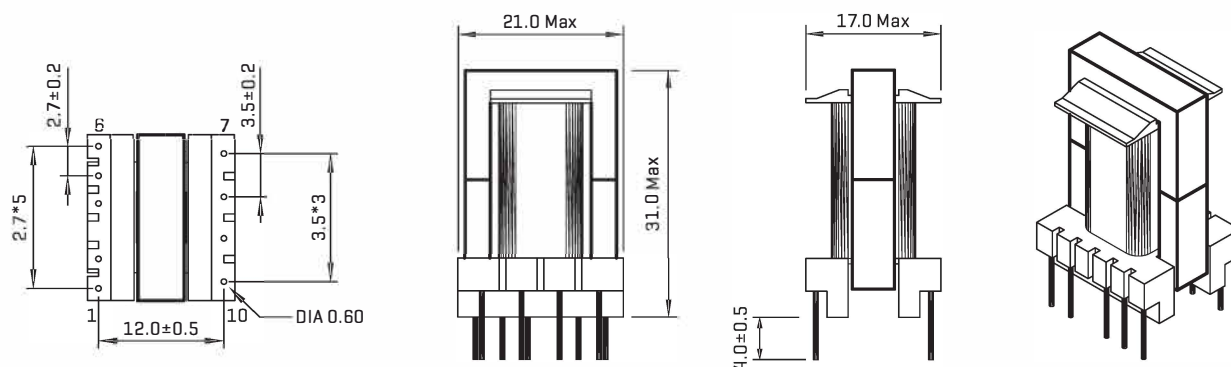


SIZE EL19 - 5 OUTPUTS : 3.3/5/12/18/30v - FLYBACK TRANSFORMER							
Part Number	Output Power max	Windings					
		Pins	Turns	Voltage	Current max	Inductance [+/-10%]	
FAT 74023	16W	Pri	9-10	120	85-265Vrms	0.85 Apeak	
		Aux	8-7	17	15 Vdc	0.2 Adc	
		S1	5-6	4	3.3 Vdc	2 Adc	
		S2	4-6	6	5 Vdc	Sum S1+S2	1250μH
		S3	3-6	14	12 Vdc	0.8 Adc	
		S4	2-6	20	18 Vdc	0.8 Adc	
S5	1-6	33	30 Vdc	0.2 Adc			

Note: PCB Drilling Diameter = 1.1mm

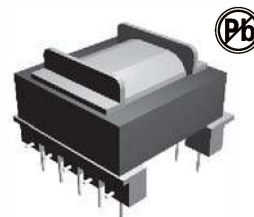
Note: Regulation with auxiliary winding

PHYSICAL CHARACTERISTICS



ALL DIMENSIONS IN MM

12-24W EL20-2 OUTPUT FLYBACK TRANSFORMERS FAT74080,74082 SERIES



FEATURES

Primary / Secondary Insulation $\geq 4000V$
 Primary Auxiliary Insulation $\geq 1500V$
 Creepage distances Primary / secondary $\geq 8mm$

OPTIONS

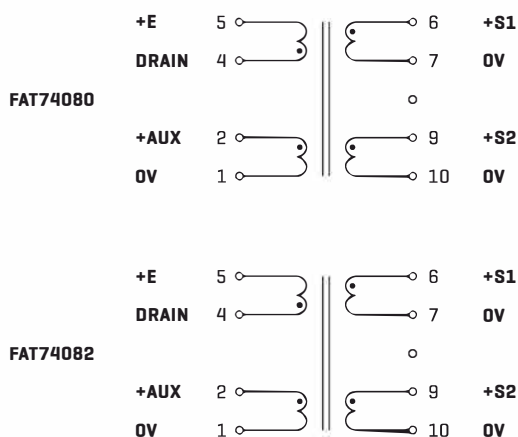
Bulk packaging is standard
 Custom design available

COMMON APPLICATIONS

AC-DC converters
 DC-DC converters
 Switch Power supplies
 FAPS: Flyback, Forward and Push-pull
 FAPS: Half Bridge and Full Bridge

TECHNICAL INFORMATION

Ambient temperature $< 50^{\circ}C$
 Construction confirms to CEI950, CEI335, CEI61558 for reinforced insulation
 Exclusively uses UL94-V0 listed materials



Note: PIN 3 Removed, PCB Drilling Diameter = 1.2mm

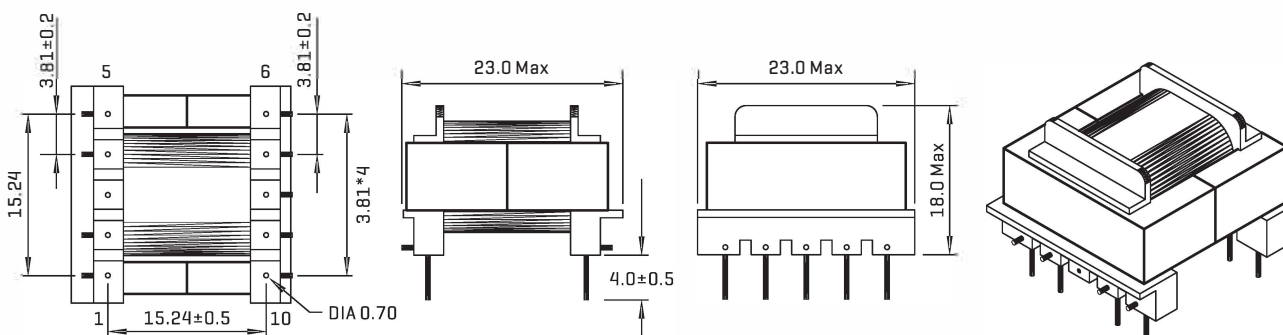
ELECTRICAL CHARACTERISTICS

Part No.	Control IC Manufacturer	Input voltage	Power	Frequency
FAT 74080	Power Integrations	185-265Vrms	24 w	132 kHz
	Power Integrations	85-265Vrms	15 w	132 kHz
FAT 74082	Power Integrations	185-265Vrms	20 w	132 kHz
	Power Integrations	85-265Vrms	14 w	132 kHz

SIZE EF20 2 OUTPUTS : 5 /5v or 12/12v - FLYBACK TRANSFORMER						
Part Number	Output Power max	Windings			Current max	Inductance [+/-10%]
		Pins	Turns	Voltage		
FAT 74080	24W	Pri 4-5	86	85-265Vrms	1Apeak	1000μH
		Aux 2-1	12	11- 8 Vdc	0.3 Adc	
		S1 6-7	10	9- 5 Vdc	1.5 Adc	
		S2 9-10	10	9-15 Vdc	1.5 Adc	
FAT 74082	20W	Pri 4-5	86	85-265Vrms	0.9Apeak	1300μH
		Aux 2-1	12	7-18 Vdc	0.3 Adc	
		S1 6-7	5	3-7.5 Vdc	2.0 Adc	
		S2 9-10	5	3 - 7.5 Vdc	2.0 Adc	

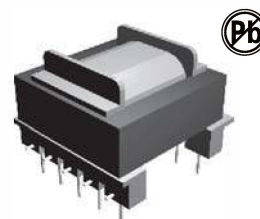
Note: S1 and S2 can be connected in series or in parallel

PHYSICAL CHARACTERISTICS



ALL DIMENSIONS IN MM

12-24W EL20-3 OUTPUT FLYBACK TRANSFORMERS FAT74081 SERIES



FEATURES

Primary / Secondary Insulation $\geq 4000V$
 Primary Auxiliary Insulation $\geq 1500V$
 Creepage distances Primary / secondary $\geq 8mm$

OPTIONS

Bulk packaging is standard
 Custom design available

COMMON APPLICATIONS

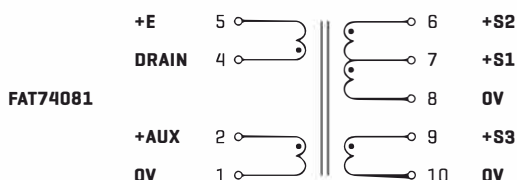
AC-DC converters
 DC-DC converters
 Switch Power supplies
 FAPS: Flyback, Forward and Push-pull
 FAPS: Half Bridge and Full Bridge

TECHNICAL INFORMATION

Ambient temperature $< 50^{\circ}C$
 Construction conforms to CEI950, CEI335, CEI61558 for reinforced insulation
 Exclusively uses UL94-V0 listed materials

ELECTRICAL CHARACTERISTICS

Part No.	Control IC Manufacturer	Control IC P/N	Input voltage	Power	Frequency
FAT 74081	Power Integrations	TOP243P	185-265Vrms	20 w	132 kHz
	Power Integrations	TOP243P	85-265Vrms	14 w	132 kHz

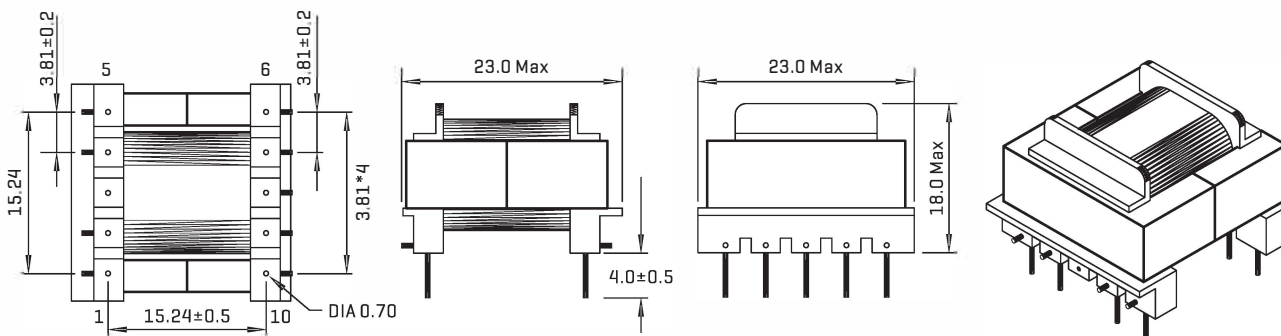


SIZE EL20- 3 OUTPUTS : 5/5v or 12/12v - FLYBACK TRANSFORMER							
Part Number	Output Power max	Windings			Current max	Inductance [+/-10%]	
		Pins	Turns	Voltage			
FAT 74081	20W	Pri	4-5	80	85-265Vrms	0.9 Apeak	
		Aux	2-1	17	15 Vdc	0.3 Adc	
		S1	7-8	4	3.3 Vdc	3 Adc	1100μH
		S2	6-8	6	5 Vdc	sum S1+S2	
		S3	9-10	14	12 Vdc	1.3 Adc	

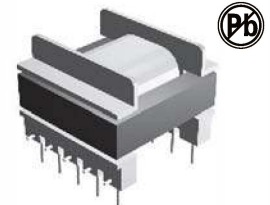
Note: PIN 3 Removed, PCB Drilling Diameter = 1.2mm

Note: Regulation with auxiliary winding

PHYSICAL CHARACTERISTICS



15-30W E25-3 OR 1 OUT PUT FLYBACK TRANSFORMERS FAT74030,74032 SERIES



FEATURES

Primary / Secondary Insulation $\geq 4000V$
 Primary Auxiliary Insulation $\geq 1500V$
 Creepage distances Primary / secondary $\geq 8mm$

OPTIONS

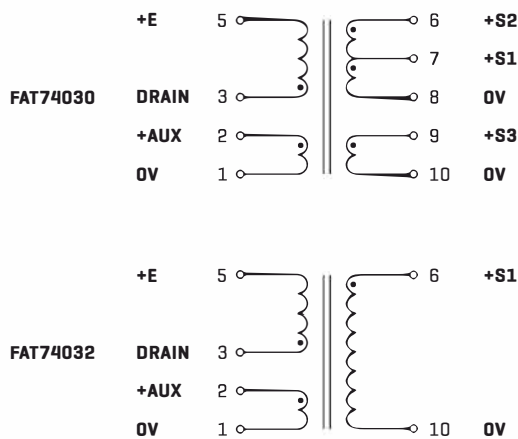
Bulk packaging is standard
 Custom design available

COMMON APPLICATIONS

AC-DC converters
 DC-DC converters
 Switch Power supplies
 FAPS: Flyback, Forward and Push-pull
 FAPS: Half Bridge and Full Bridge

TECHNICAL INFORMATION

Ambient temperature $< 50^{\circ}C$
 Construction conforms to CEI950, CEI335, CEI61558 for reinforced insulation
 Exclusively uses UL94-V0 listed materials



Note: PIN 3 Removed, PCB Drilling Diameter = 1.4mm

ELECTRICAL CHARACTERISTICS

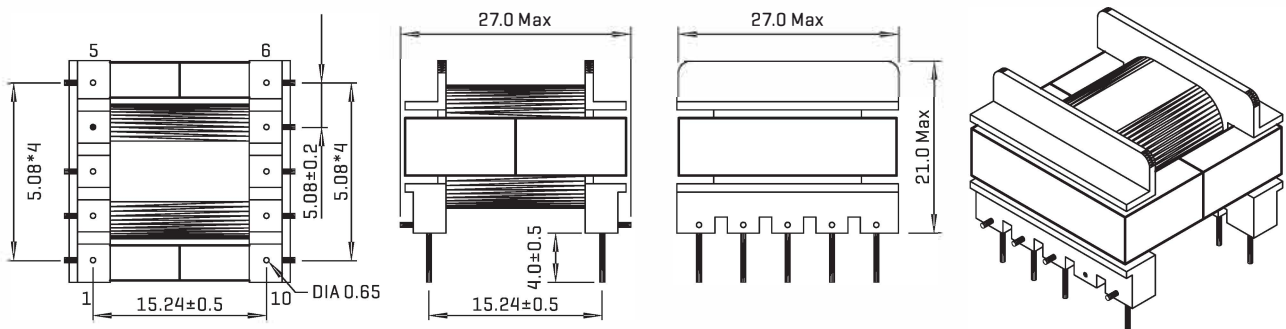
Part No.	Control IC Manufacturer	Input voltage	Power	Frequency
FAT 74030	Fairchild	85-265 Vrms	22 w	100 kHz
	Infineon	185-265 Vrms	30 w	100 kHz
	Motorola	85-265 Vrms	22 w	100 kHz
	Motorola	185-265 Vrms	30 w	100 kHz
	Power Integrations	185-265 Vrms	30 w	132 kHz
	Power Integrations	85-265 Vrms	25 w	66/132kHz
FAT74032	ST Microelectronics	85-265 Vrms	22 w	70 kHz
	ST Microelectronics	185- 65 Vrms	30 w	70 kHz
	Power Integrations	185-265 Vrms	25 w	132 kHz

SIZE E25 - 3 or 1 OUTPUTS : 5 + 12/12v or 24v - FLYBACK TRANSFORMER

Part Number	Output Power max	Windings				
		Pins	Turns	Voltage	Current max	Inductance max [+/-10%]
FAT 74030	30W	Pri 3-5	70	85-265Vrms	1.5Apeak	750μH
		Aux 2-1	8	7-14.5 Vdc	1 Adc	
		S1 7-8	4	3.3-7Vdc	3 Adc	
		S2 6-8	9	8-16 Vdc	1.5 Adc	
		S3 9-10	9	8-16 Vdc	1.5 Adc	
FAT 74032	35W	Pri 3-5	72	85-265Vrms	1.1 Apeak	1100μH
		Aux 2-1	10	8-16 Vdc	1 Adc	
		S1 6-10	18	15-30 Vdc	1.4 Adc	

Note to 74030 : S2 and S3 can be connected in series or in parallel

PHYSICAL CHARACTERISTICS



ALL DIMENSIONS IN MM

30-60W ERL28-4 OUTPUT FLYBACK TRANSFORMERS FAT74043 SERIES



FEATURES

Primary / Secondary Insulation $\geq 4000V$
 Primary Auxiliary Insulation $\geq 1500V$
 Creepage distances Primary / secondary $\geq 6mm$

OPTIONS

Bulk packaging is standard
 Custom design available

COMMON APPLICATIONS

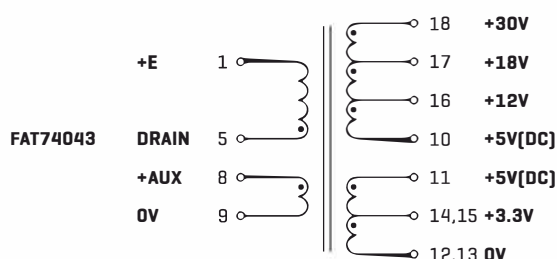
AC-DC converters
 DC-DC converters
 Switch Power supplies
 FAPS: Flyback, Forward and Push-pull
 FAPS: Half Bridge and Full Bridge

TECHNICAL INFORMATION

Ambient temperature $< 50^{\circ}C$
 Construction confirms to CEI950, CEI335, CEI61558 for reinforced insulation
 Exclusively uses UL94-V0 listed materials

ELECTRICAL CHARACTERISTICS

Control IC Manufacturer	Input voltage	Power	Frequency
Power Integrations	185-265Vrms	60 w	66/132 kHz
Power Integrations	85-265Vrms	45 w	66/132 kHz

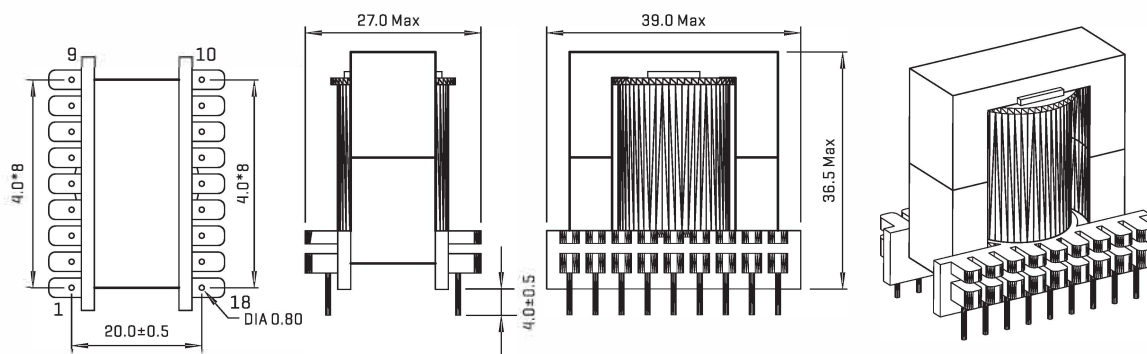


SIZE ETD29 - 4 OUTPUTS : 5 + 12/5 + 12v - FLYBACK TRANSFORMER							
Part Number	Output Power max	Pins	Windings		Current max	Inductance [+/-10%]	
			Turns	Voltage			
FAT 74043	60W	Pri	5-1	45	85-265Vrms	3Apeak	
		Aux	8-9	7	15 Vdc	0.5 Adc	
		S1	14+15/12+13	2	3.3 Vdc	S1+S2:7 Adc	500μH
		S2	11/12+13	3	5 Vdc	S1+S2:7 Adc	
		S3	16-10	4	12 Vdc	2 Adc	
S4	17-10	7	18 Vdc	2 Adc			
S5	18-10	13	30 Vdc	0.5 Adc			

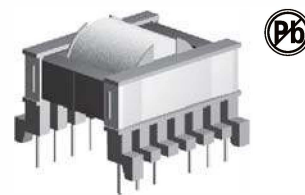
Note: PCB Drilling Diameter = 1.3mm

Note: Regulation with auxiliary winding

PHYSICAL CHARACTERISTICS



60-90W ETD34-4 OUTPUT FLYBACK TRANSFORMERS FAT74050 SERIES



FEATURES

Primary / Secondary Insulation $\geq 4000V$
 Primary Auxiliary Insulation $\geq 1500V$
 Creepage distances Primary / secondary $\geq 8mm$

OPTIONS

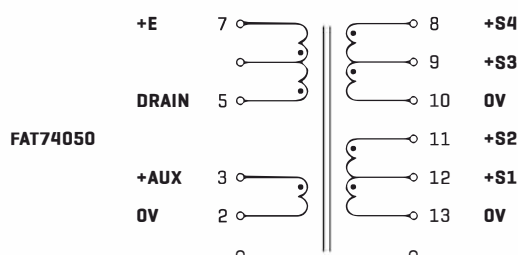
Bulk packaging is standard
 Custom design available

COMMON APPLICATIONS

AC-DC converters
 DC-DC converters
 Switch Power supplies
 FAPS: Flyback, Forward and Push-pull
 FAPS: Half Bridge and Full Bridge

TECHNICAL INFORMATION

Ambient temperature $< 50^{\circ}C$
 Construction conforms to CEI950, CEI335, CEI61558 for reinforced insulation
 Exclusively uses UL94-V0 listed materials



ELECTRICAL CHARACTERISTICS

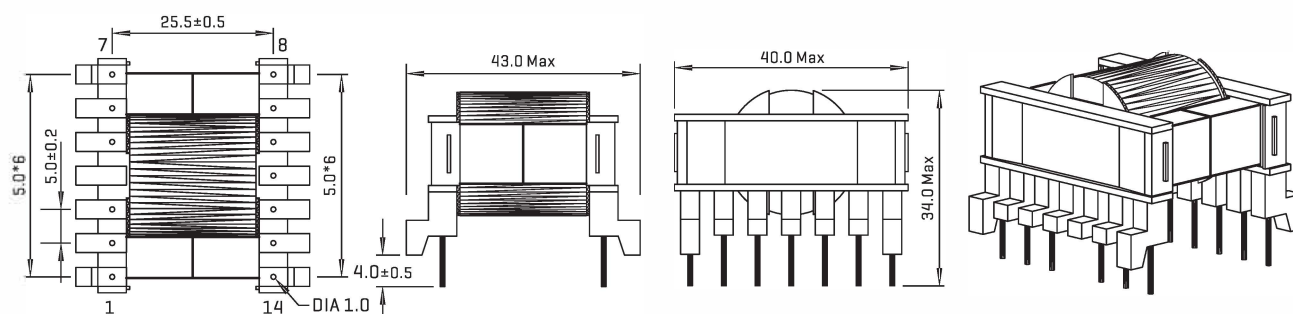
Control IC Manufacturer	Input voltage	Power F	requency
Infineon	185-265 Vrms	80 w	100 kHz
Infineon	85-265 Vrms	60 w	100 kHz
Motorola	185-265 Vrms	80 w	100 kHz
Motorola	85-265 Vrms	60 w	100 kHz
Power Integrations	185-265 Vrms	90 w	132 kHz
Power Integrations	85-265 Vrms	60 w	66/132kHz
ST Microelectronics	185-265 Vrms	80 w	70 kHz
ST Microelectronics	85-265 Vrms	60 w	70 kHz

SIZE ETD29 - 4 OUTPUTS : 5 + 12/5 + 12v - FLYBACK TRANSFORMER							
Part Number	Output Power max	Windings					
		Pins	Turns	Voltage	Current max	Inductance [+/-10%]	
FAT 74050		Pri	5-7	36	85-265Vrms	2.8Apeak	500μH
		Aux	3-2	4	7-14 Vdc	0.5 Adc	
	90W	S1	12-13	2	3.3-6.5Vdc	5 Adc	
		S2	11-13	5	8.5-17 Vdc	3 Adc	
		S3	9-10	2	3.3-6.5Vdc	5 Adc	
		S4	8-10	5	8.5-17 Vdc	3 Adc	

Note: PIN 4 Removed, PCB Drilling Diameter = 1.5mm

Note : S1/S3 or S2/S4 can be connected in series or in parallel

PHYSICAL CHARACTERISTICS



ALL DIMENSIONS IN MM

70-140W ETD39-4 OUTPUT FLYBACK TRANSFORMERS FAT74060 SERIES



FEATURES

Primary / Secondary Insulation $\geq 4000V$
 Primary Auxiliary Insulation $\geq 1500V$
 Creepage distances Primary / secondary $\geq 8mm$

OPTIONS

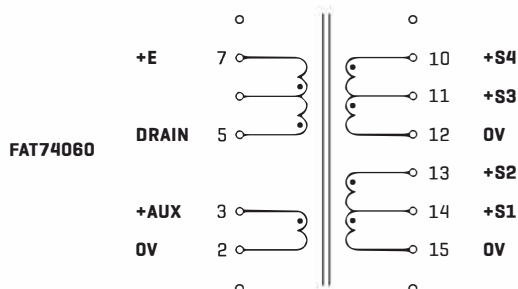
Bulk packaging is standard
 Custom design available

COMMON APPLICATIONS

AC-DC converters
 DC-DC converters
 Switch Power supplies
 FAPS: Flyback, Forward and Push-pull
 FAPS: Half Bridge and Full Bridge

TECHNICAL INFORMATION

Ambient temperature $< 50^{\circ}C$
 Construction confirms to CEI950, CEI335, CEI61558 for reinforced insulation
 Exclusively uses UL94-V0 listed materials



Note: PIN 4 Removed, PCB Drilling Diameter = 1.5mm

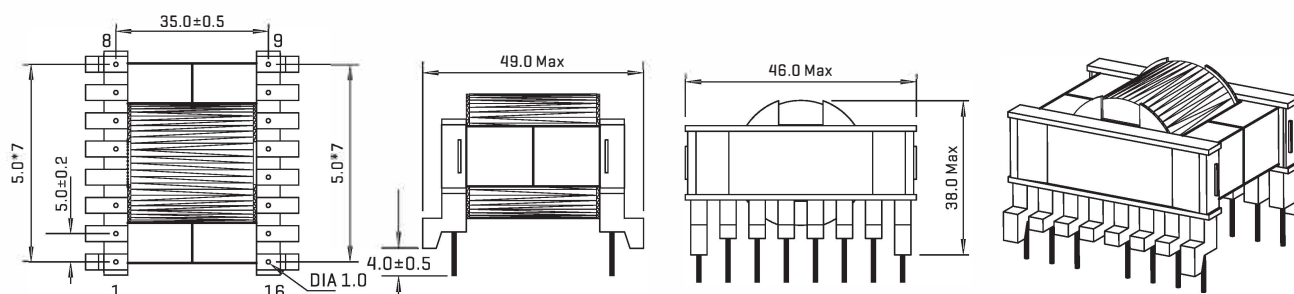
ELECTRICAL CHARACTERISTICS

Control IC Manufacturer	Input voltage	Power	Frequency
Fairchild	85-265Vrms	70 w	100 kHz
Fairchild	185-265Vrms	120 w	100 kHz
Infineon	85-265Vrms	70 w	100 kHz
Infineon	185-265Vrms	120 w	100 kHz
Motorola	85-265Vrms	70 w	100 kHz
Motorola	185-265Vrms	120 w	100 kHz
Power Integrations	185-265Vrms	140 w	132 kHz
Power Integrations	85-265Vrms	90 w	66/132 kHz
ST Microelectronics	85-265Vrms	70 w	70 kHz
ST Microelectronics	185-265Vrms	120 w	100 kHz

SIZE ETD39 - 4 OUTPUTS : 5 + 12/5 + 12v - FLYBACK TRANSFORMER							
Part Number	Output Power max	Windings					
		Pins	Turns	Voltage	Current max	Inductance [+/-10%]	
FAT 74060	90W	Pri	5-1	36	85-265Vrms	4 Apeak	440μH
		Aux	3-2	4	7-14Vdc	0.5 Adc	
		S1	12-13	2	3.3-6.5Vdc	5 Adc	
		S2	11-13	5	8.5-17Vdc	5 Adc	
		S3	9-10	2	3.3-6.5Vdc	5 Adc	
		S4	5-10	5	8.5-17Vdc	5 Adc	

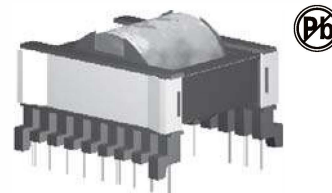
Note: S1/S3 or S2/S4 can be connected in series or in parallel

PHYSICAL CHARACTERISTICS



ALL DIMENSIONS IN MM

120-180W ETD44-4 OUTPUT FLYBACK TRANSFORMERS FAT74070 SERIES



FEATURES

Primary / Secondary Insulation $\geq 4000V$
 Primary Auxiliary Insulation $\geq 1500V$
 Creepage distances Primary / secondary $\geq 8mm$

OPTIONS

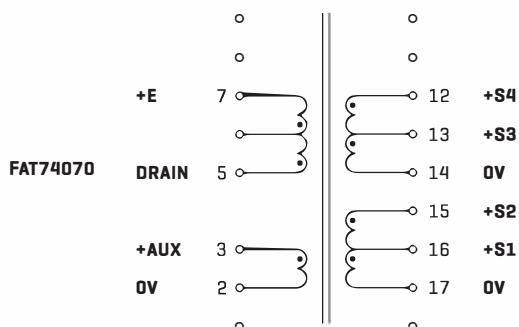
Bulk packaging is standard
 Custom design available

COMMON APPLICATIONS

AC-DC converters
 DC-DC converters
 Switch Power supplies
 FAPS: Flyback, Forward and Push-pull
 FAPS: Half Bridge and Full Bridge

TECHNICAL INFORMATION

Ambient temperature $< 50^{\circ}C$
 Construction confirms to CEI950, CEI335, CEI61558 for reinforced insulation
 Exclusively uses UL94-V0 listed materials



ELECTRICAL CHARACTERISTICS

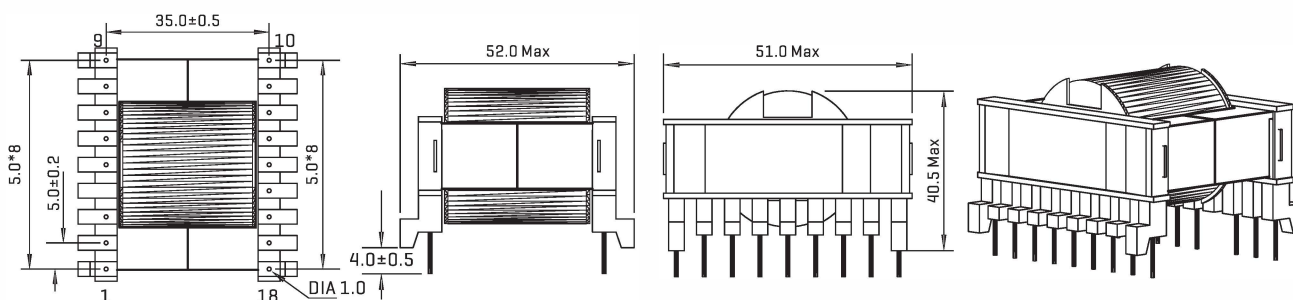
Control IC Manufacturer	Input voltage	Power	Frequency
Fairchild	185-265Vrms	160w	100 kHz
Infineon	185-265Vrms	160w	100 kHz
Philips	185-265Vrms	120w	50 kHz
Power Integrations	185-265Vrms	180w	66/132kHz
Power Integrations	85-265Vrms	120w	66 kHz

SIZE ETD44 - 4 OUTPUTS : 5 + 12 / 5 + 12v - FLYBACK TRANSFORMER							
Part Number	Output Power max	Windings			Current max	Inductance [+/-10%]	
		Pins	Turns	Voltage			
FAT 74070	180W	Pri	5-7	38	85-265Vrms	8 Apeak	
		Aux	3-2	4	7-14	0.5 Adc	
		S1	16-17	2	3.3-6.5Vdc	6 Adc	300μH
		S2	15-17	5	8.5-17 Vdc	5 Adc	
		S3	13-14	2	3.3-6.5Vdc	6 Adc	
S4	12-14	5	8.5-17 Vdc	5 Adc			

Note: PIN 4 Removed, PCB Drilling Diameter = 1.5mm

Note : S1/S3 or S2/S4 can be connected in series or in parallel

PHYSICAL CHARACTERISTICS



ALL DIMENSIONS IN MM